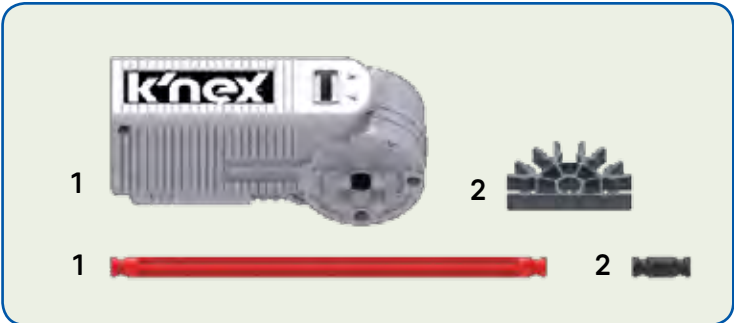
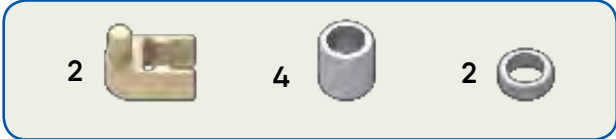
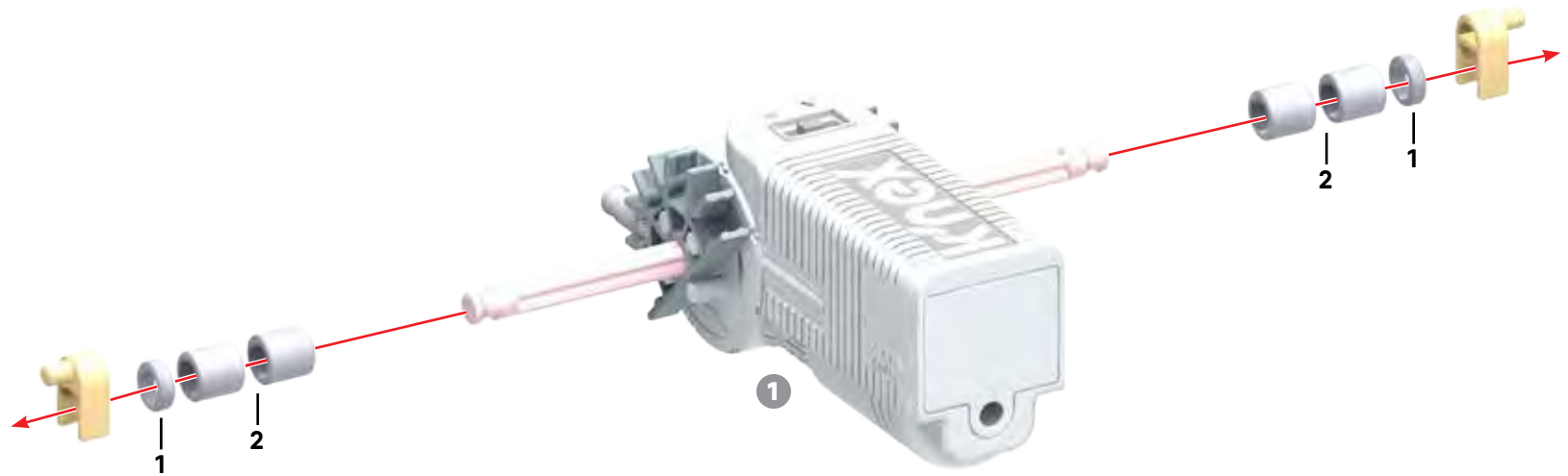
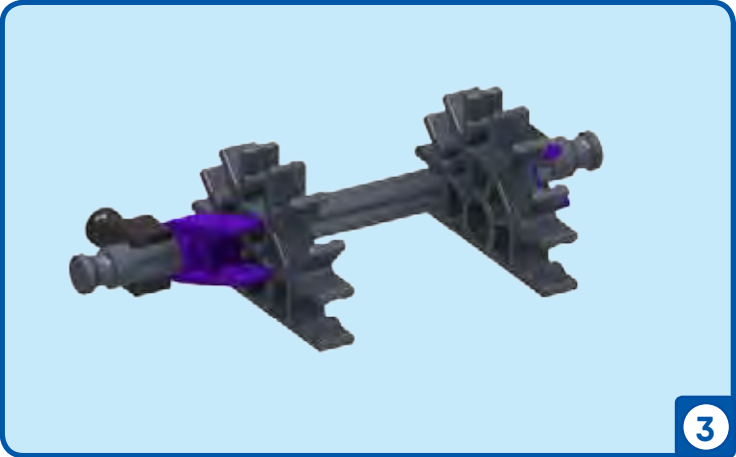


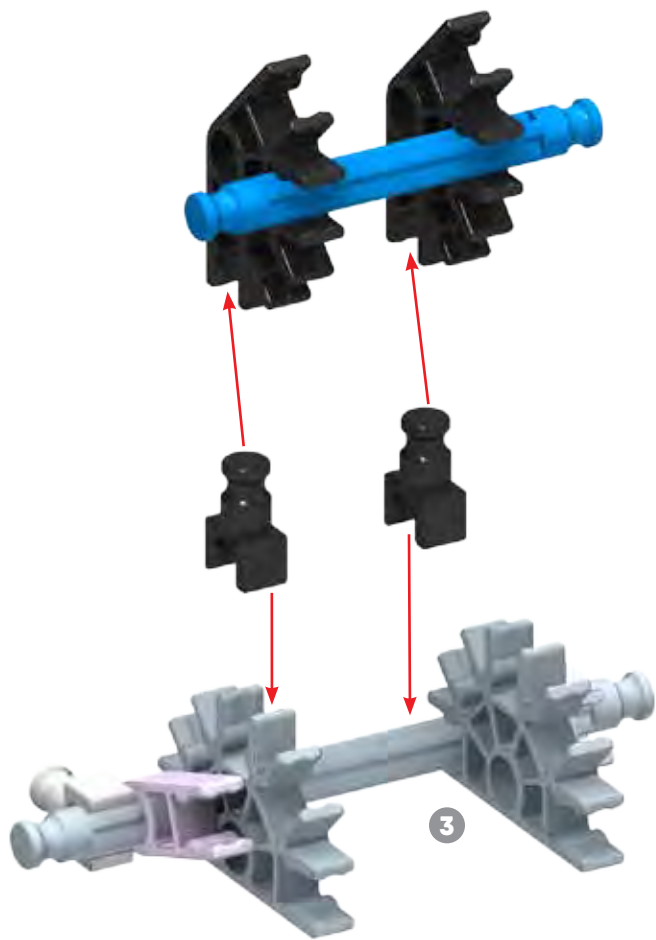
3-Wheeler







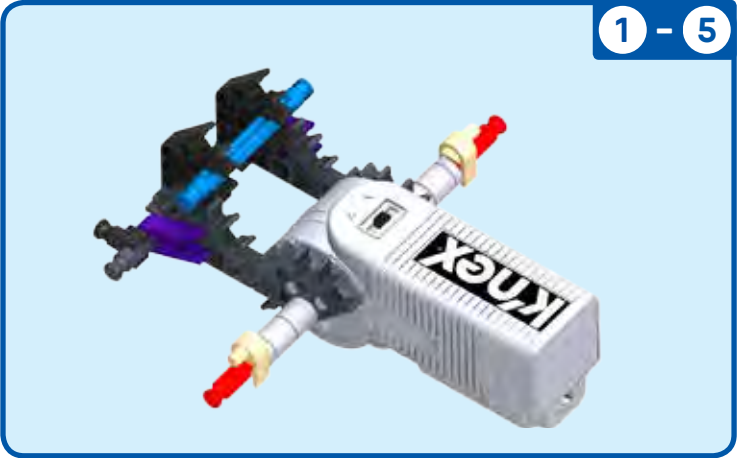
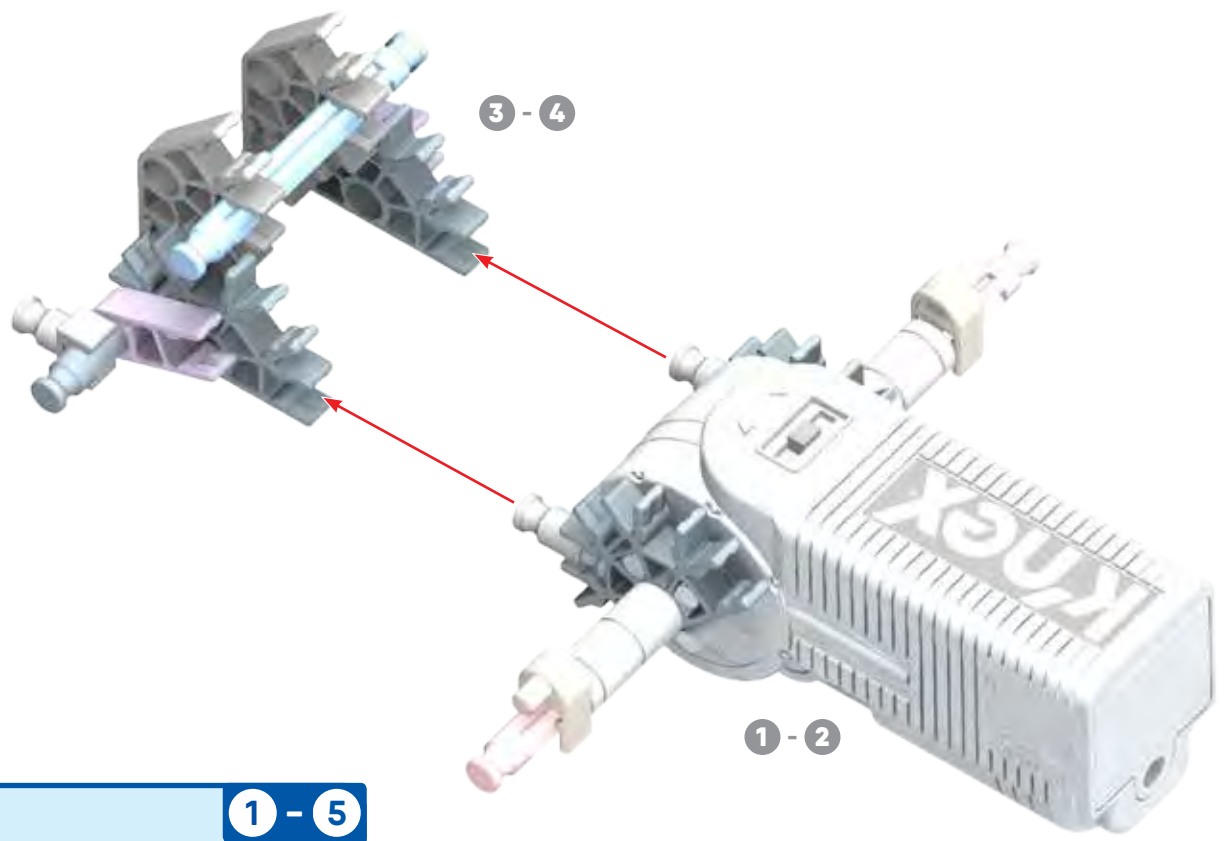


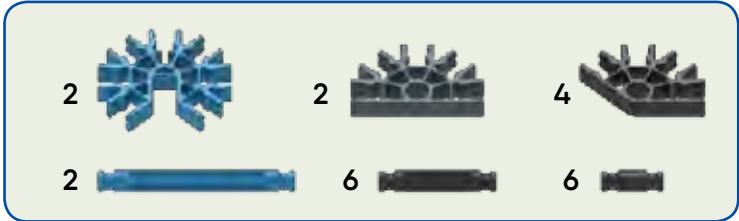
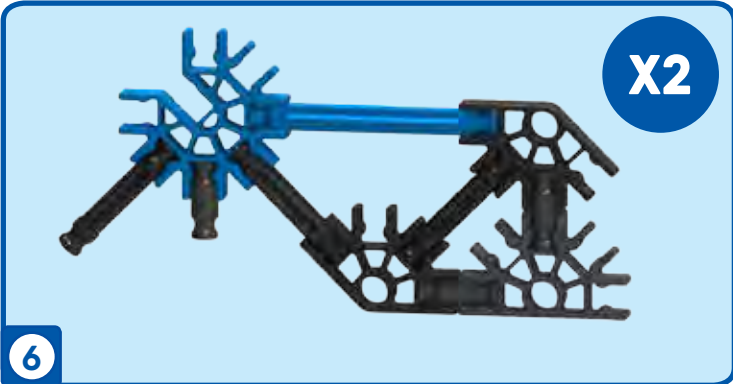
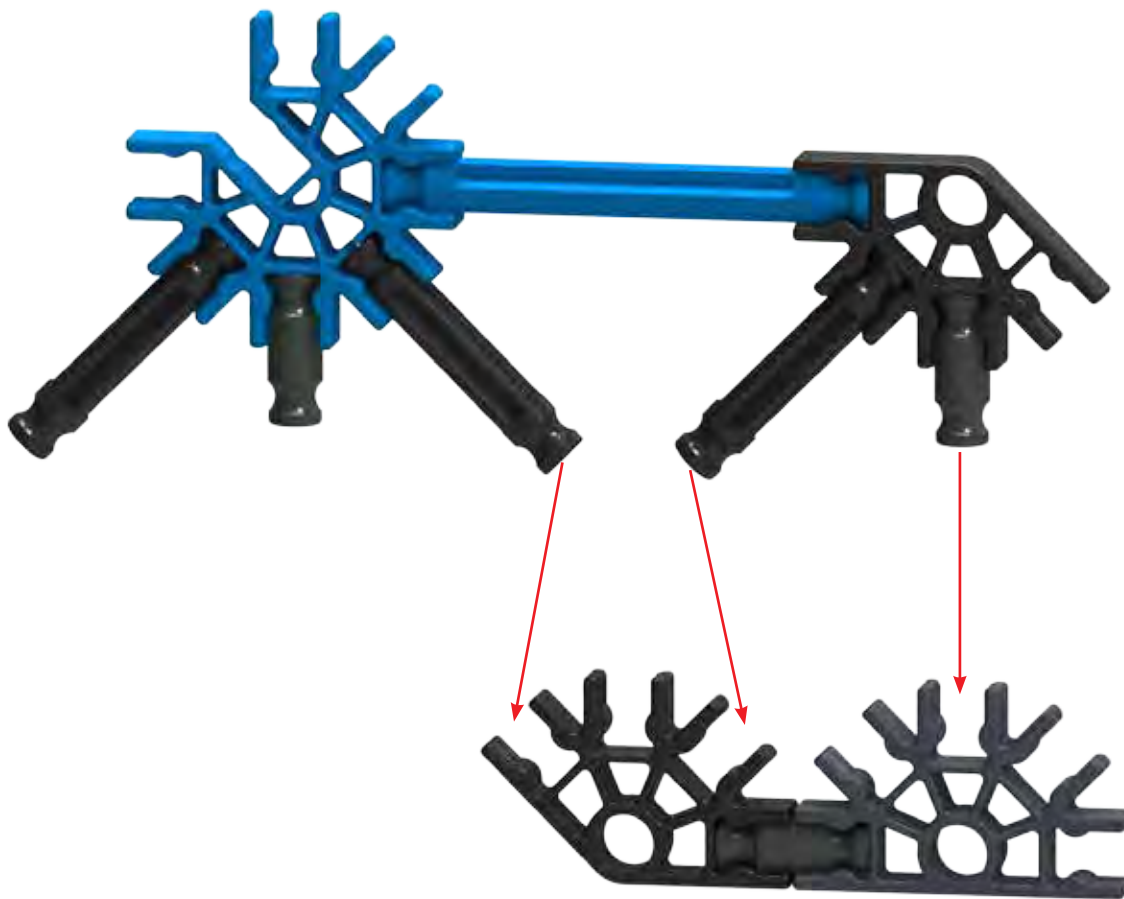


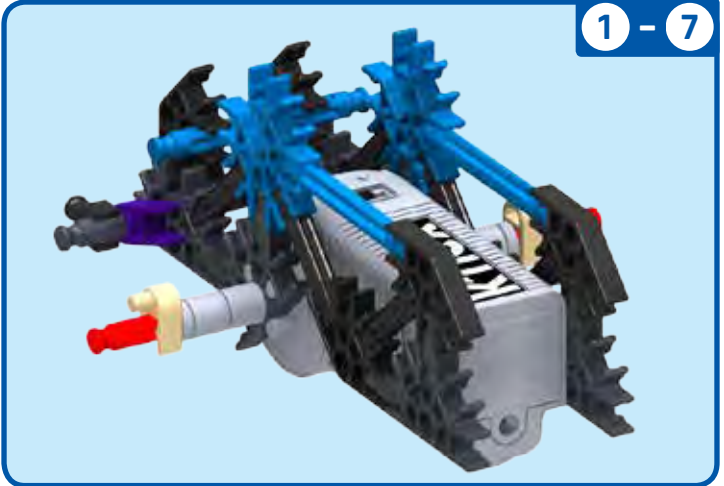
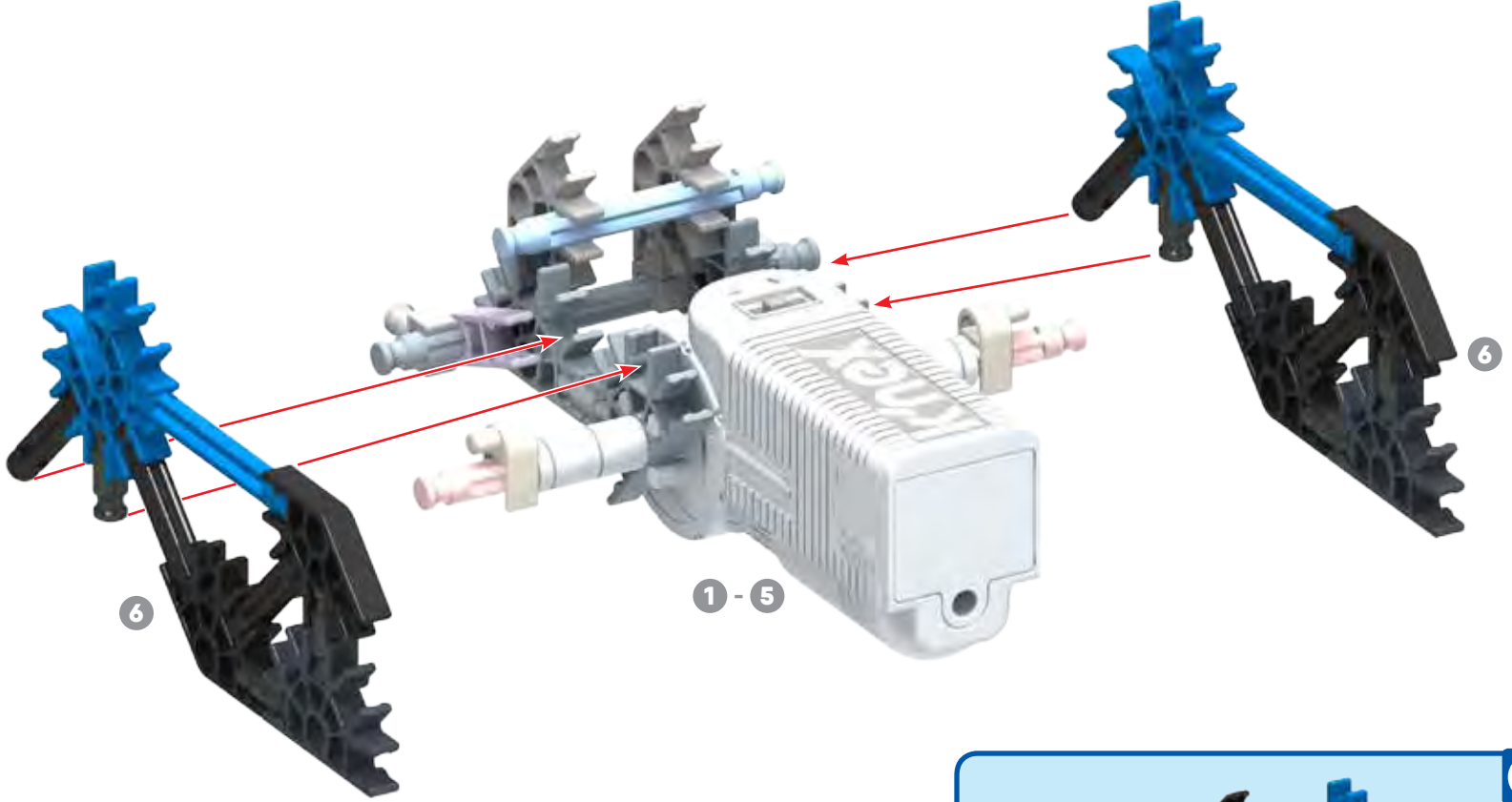
3

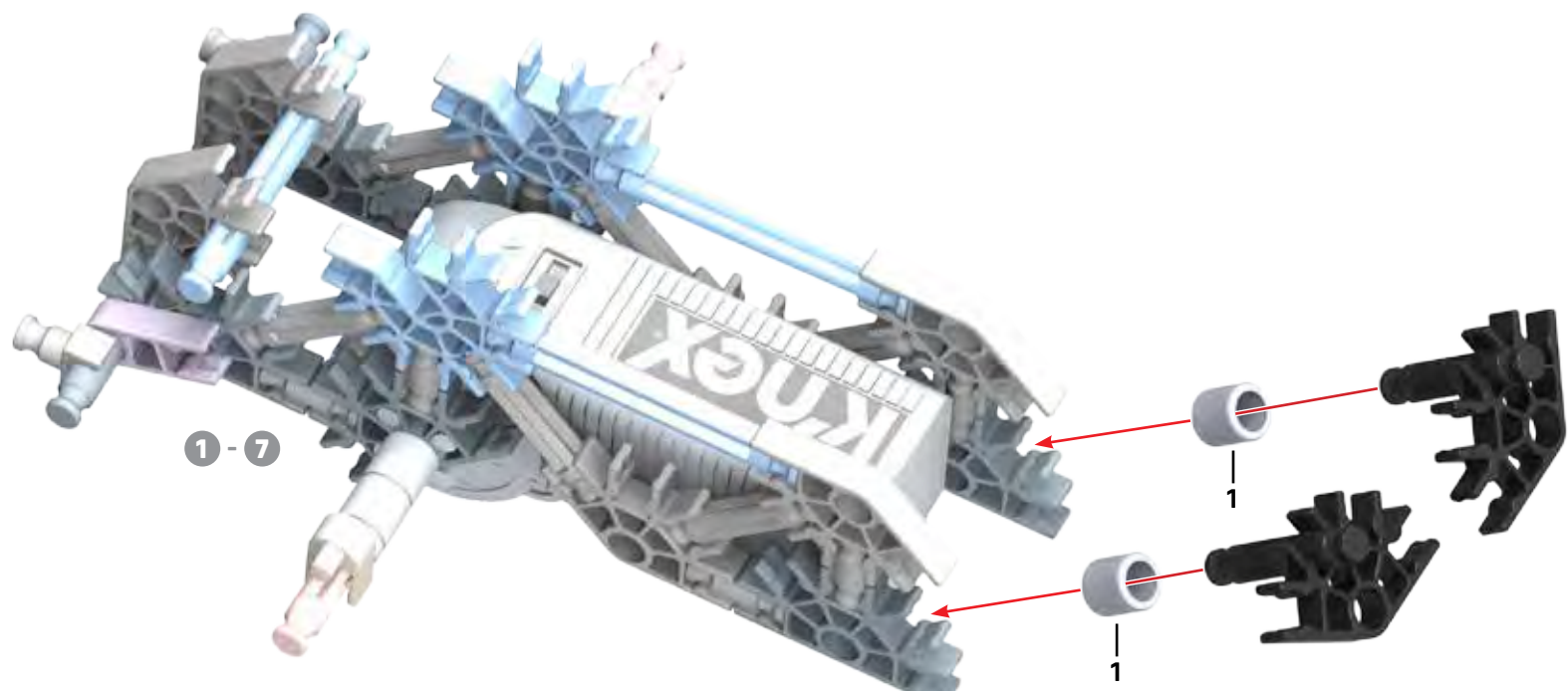


3 - 4









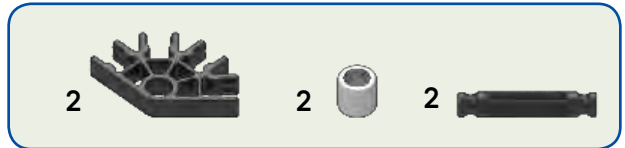
1 - 7

1

1



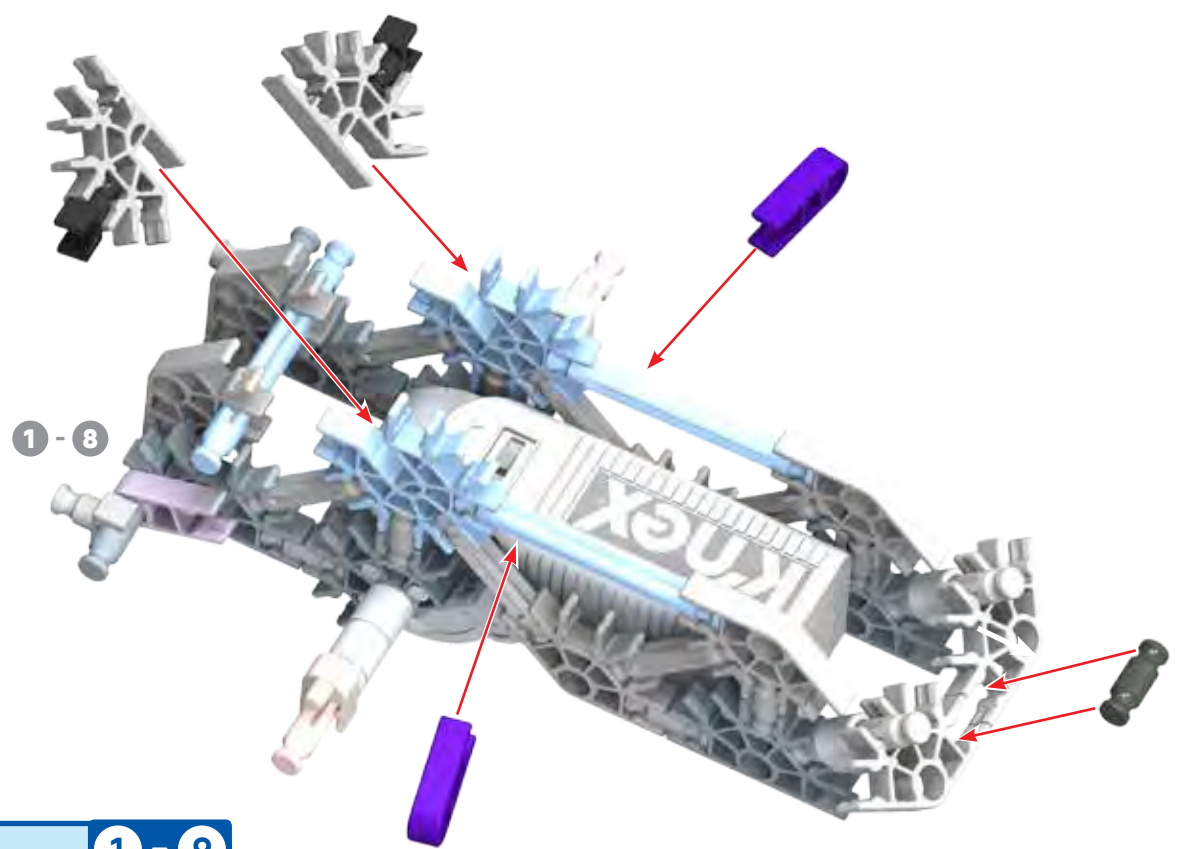
1 - 8



2

2

2

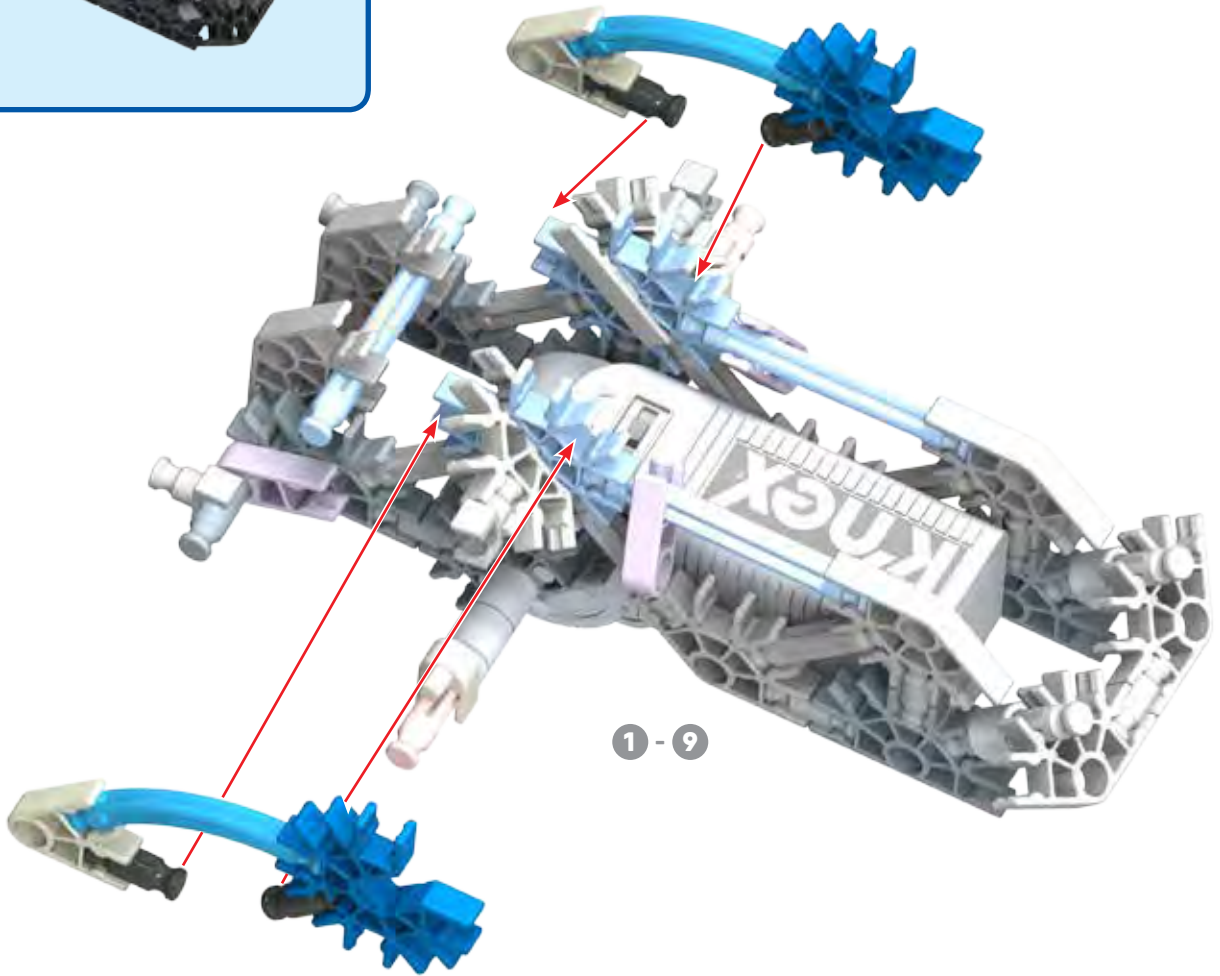


- 2 
- 2 
- 2 
- 1 

1 - 10



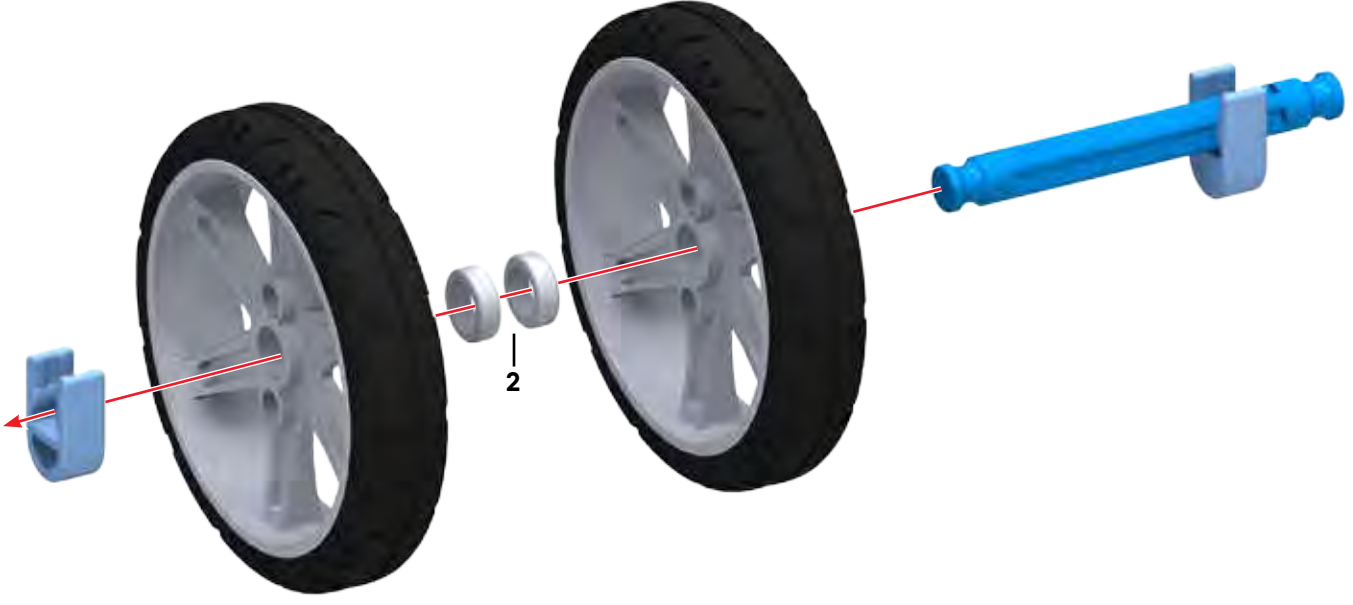
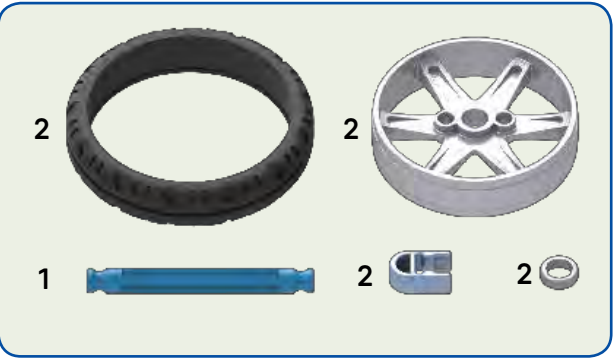
10



1 - 9

1 - 12

12

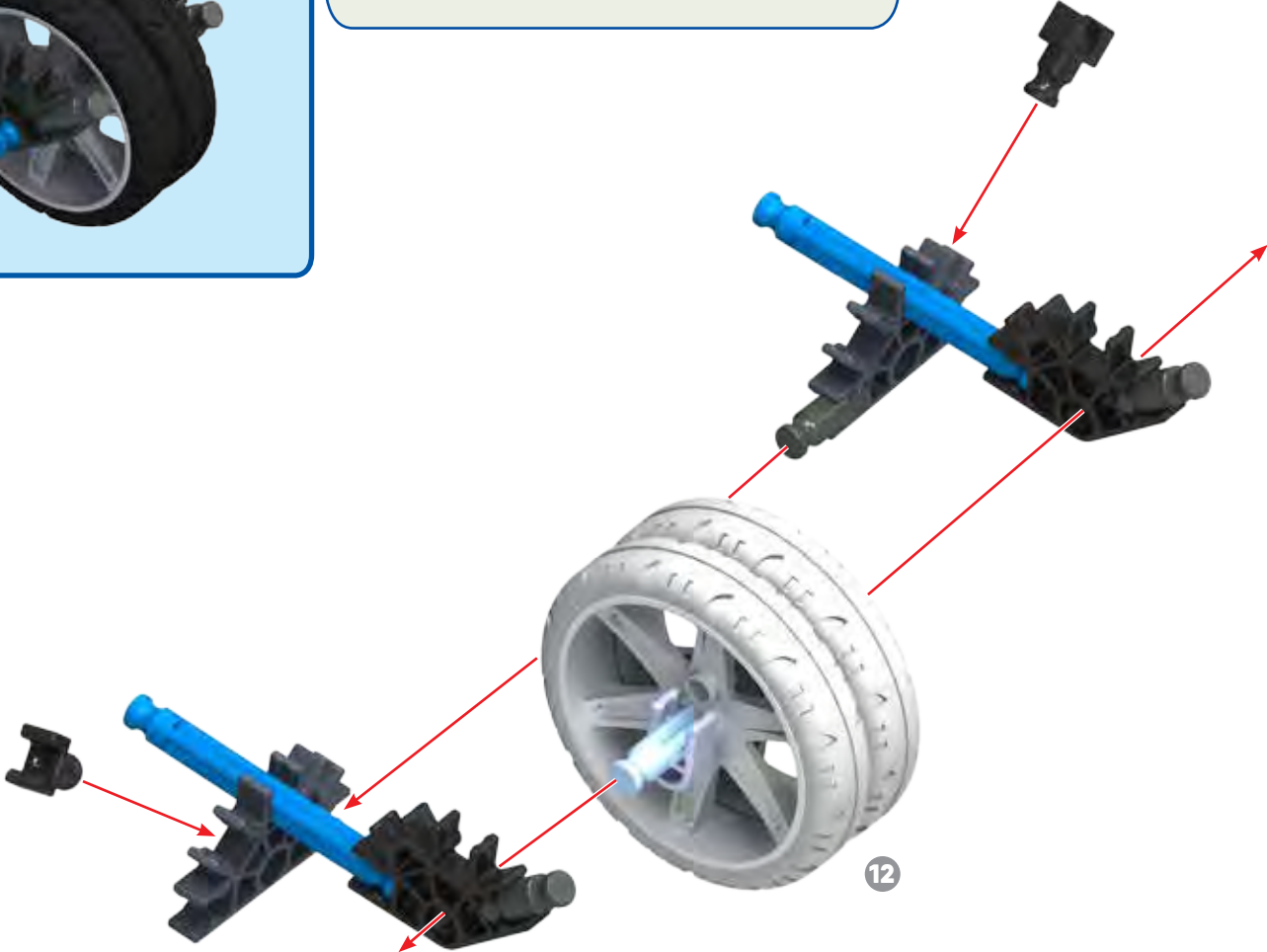


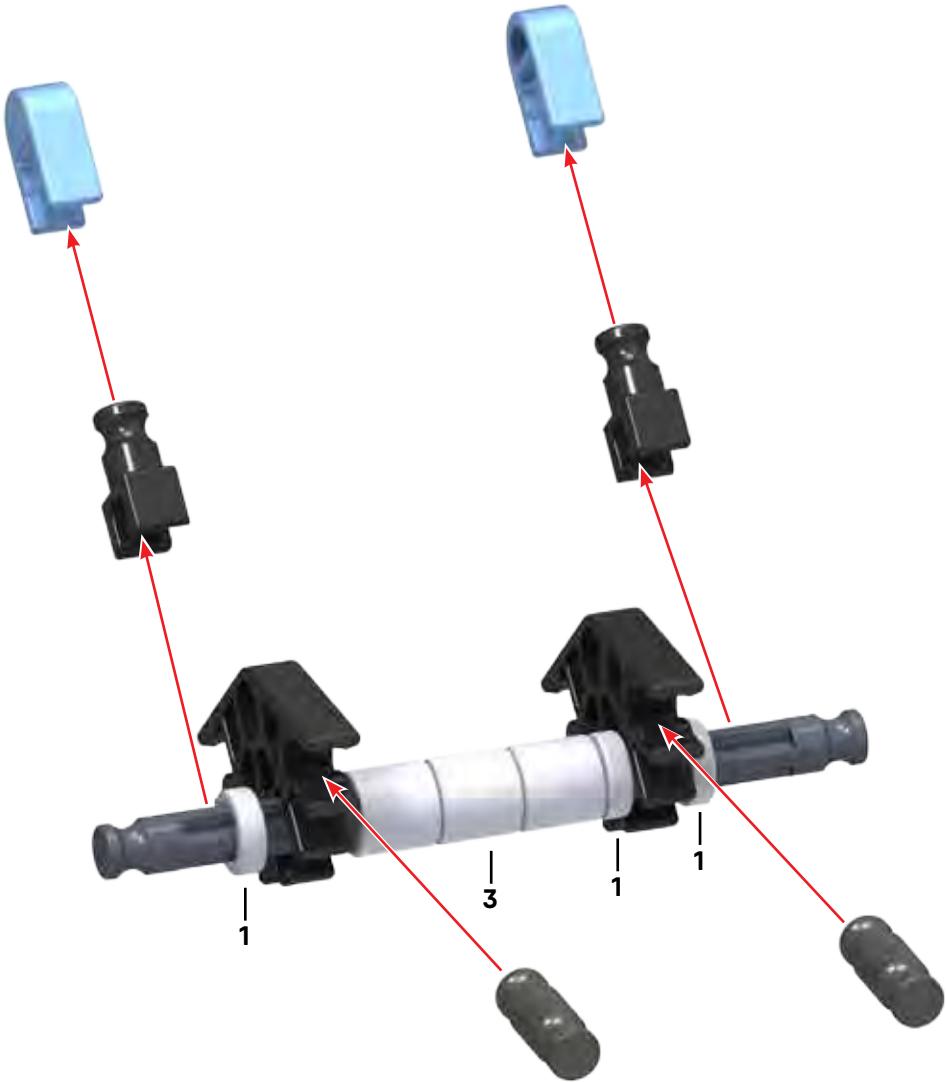
13

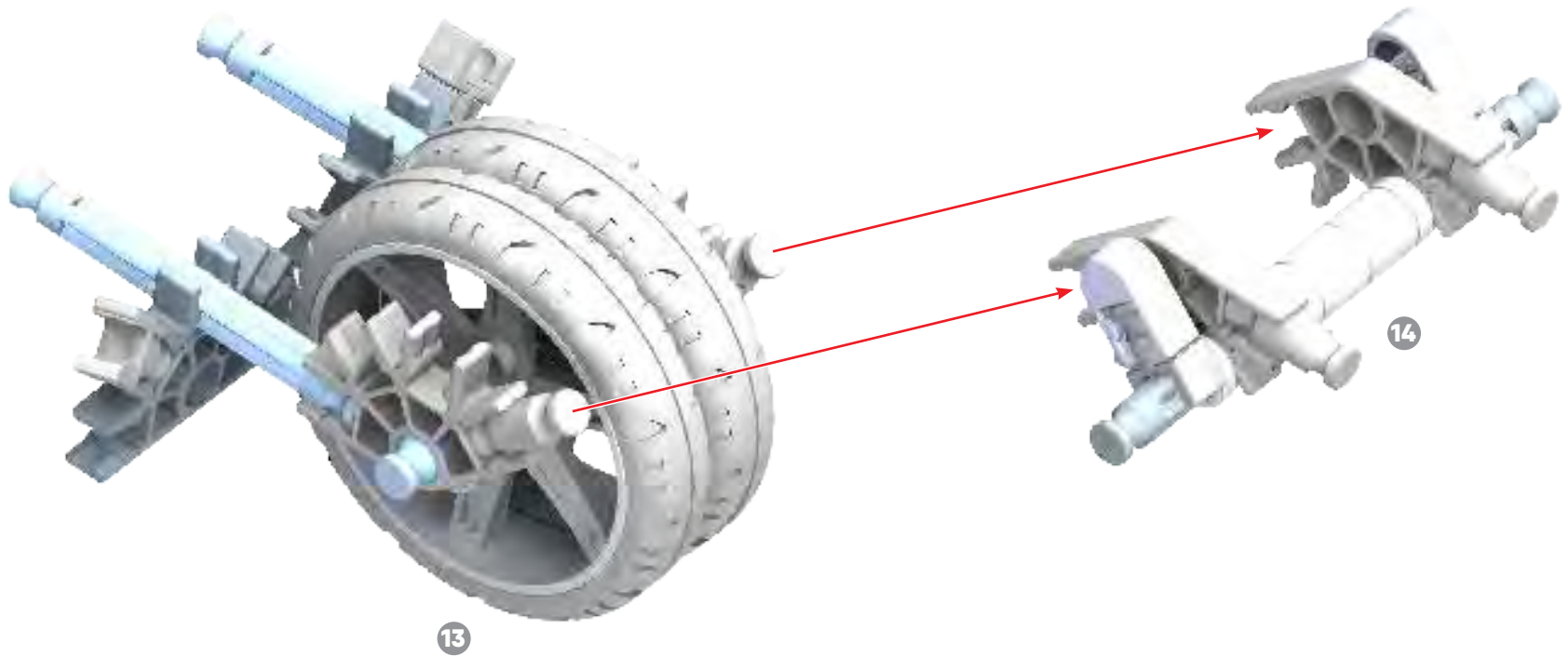


- 2
- 2
- 2
- 2
- 3

13

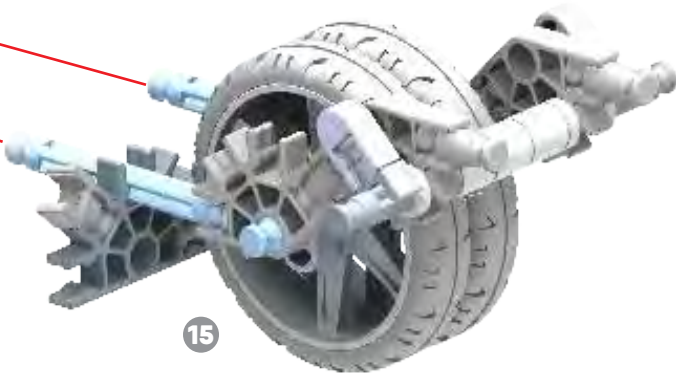
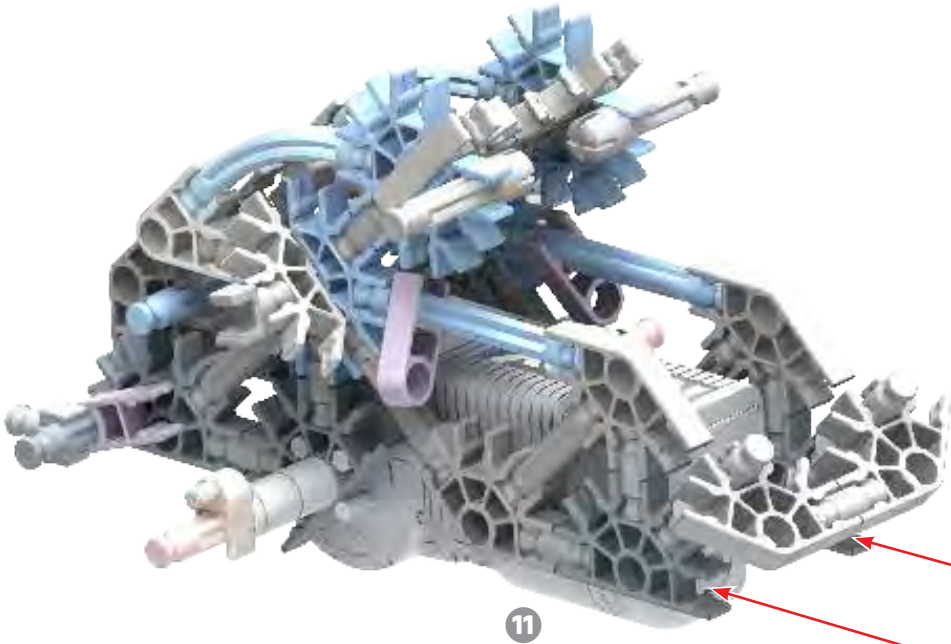


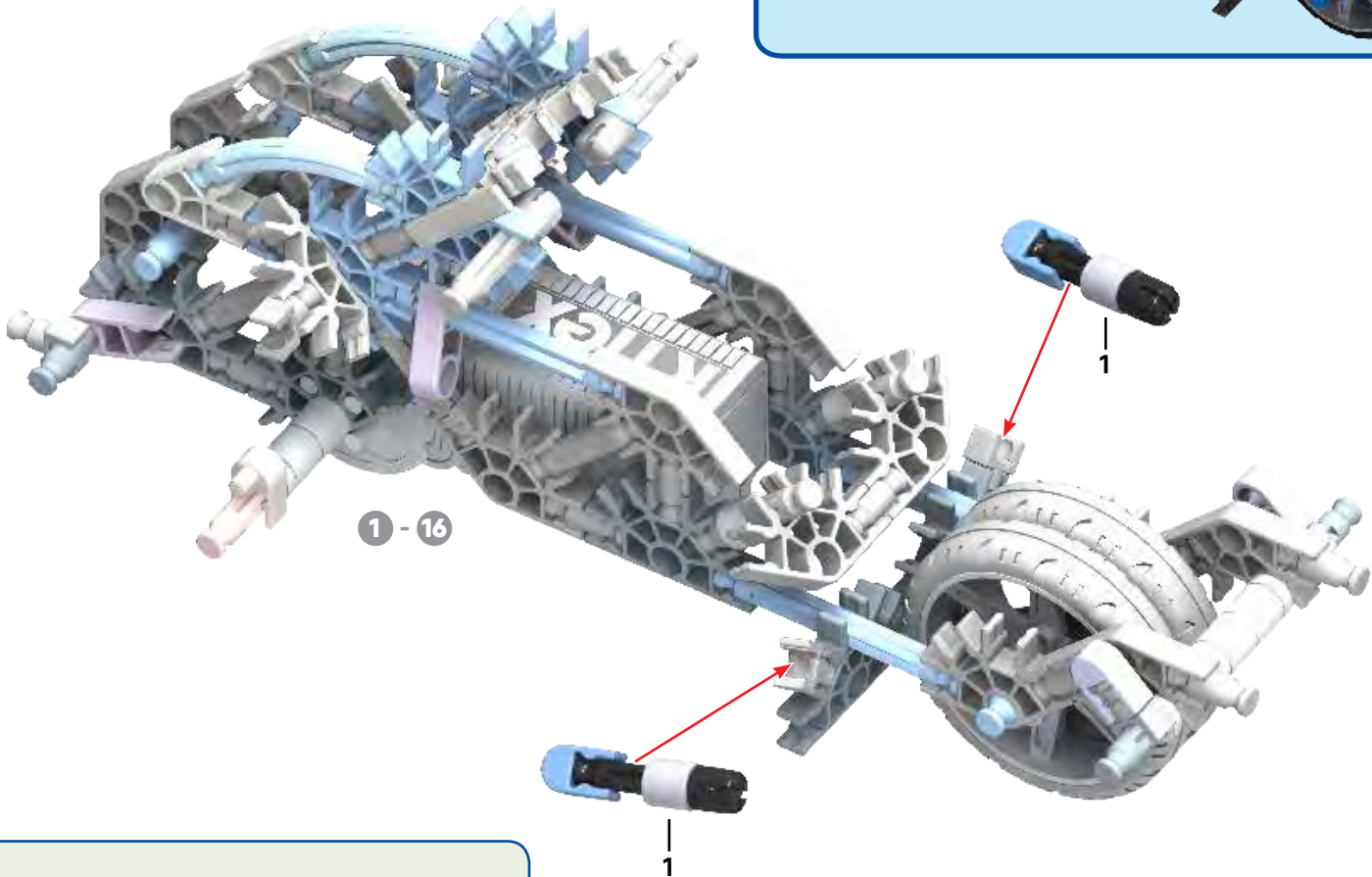




1 - 16

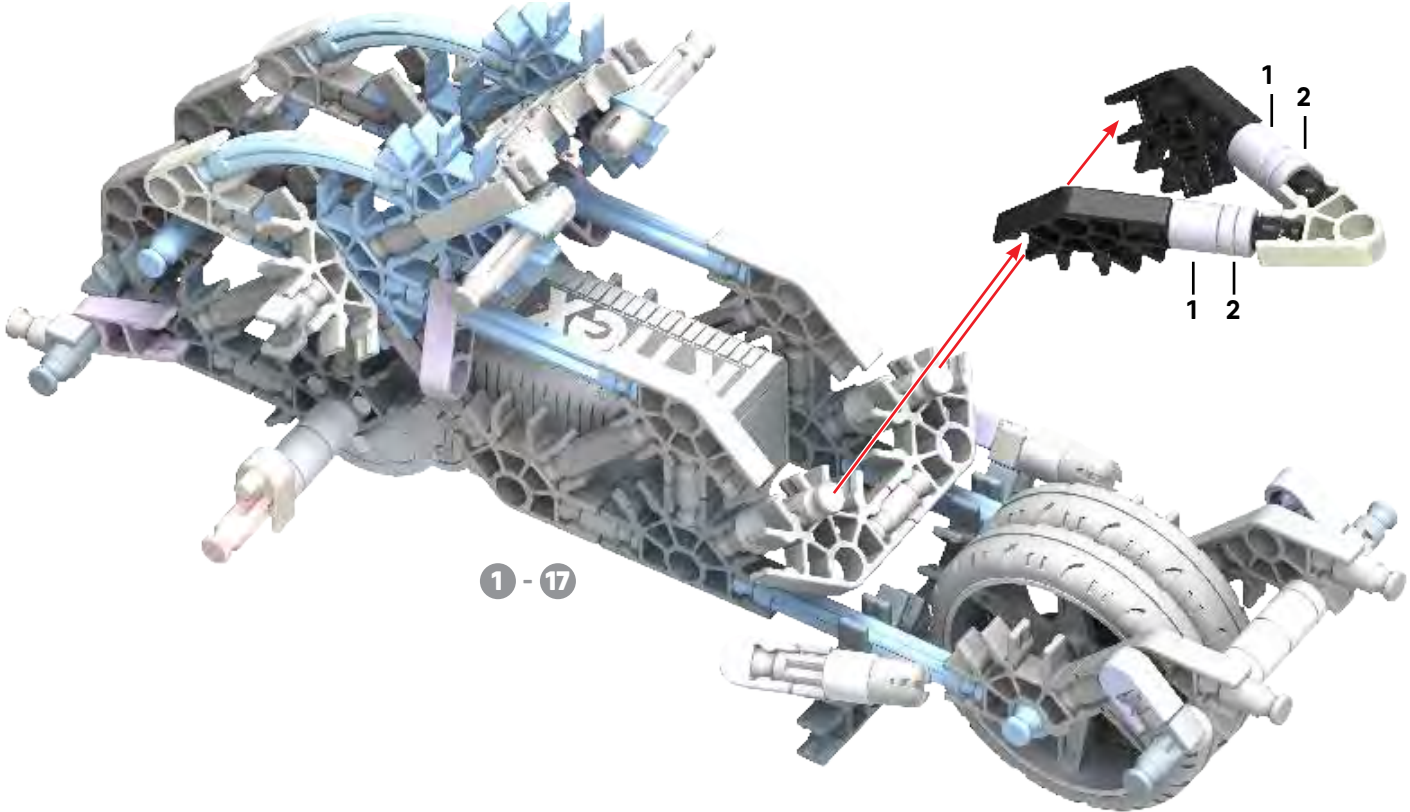
16





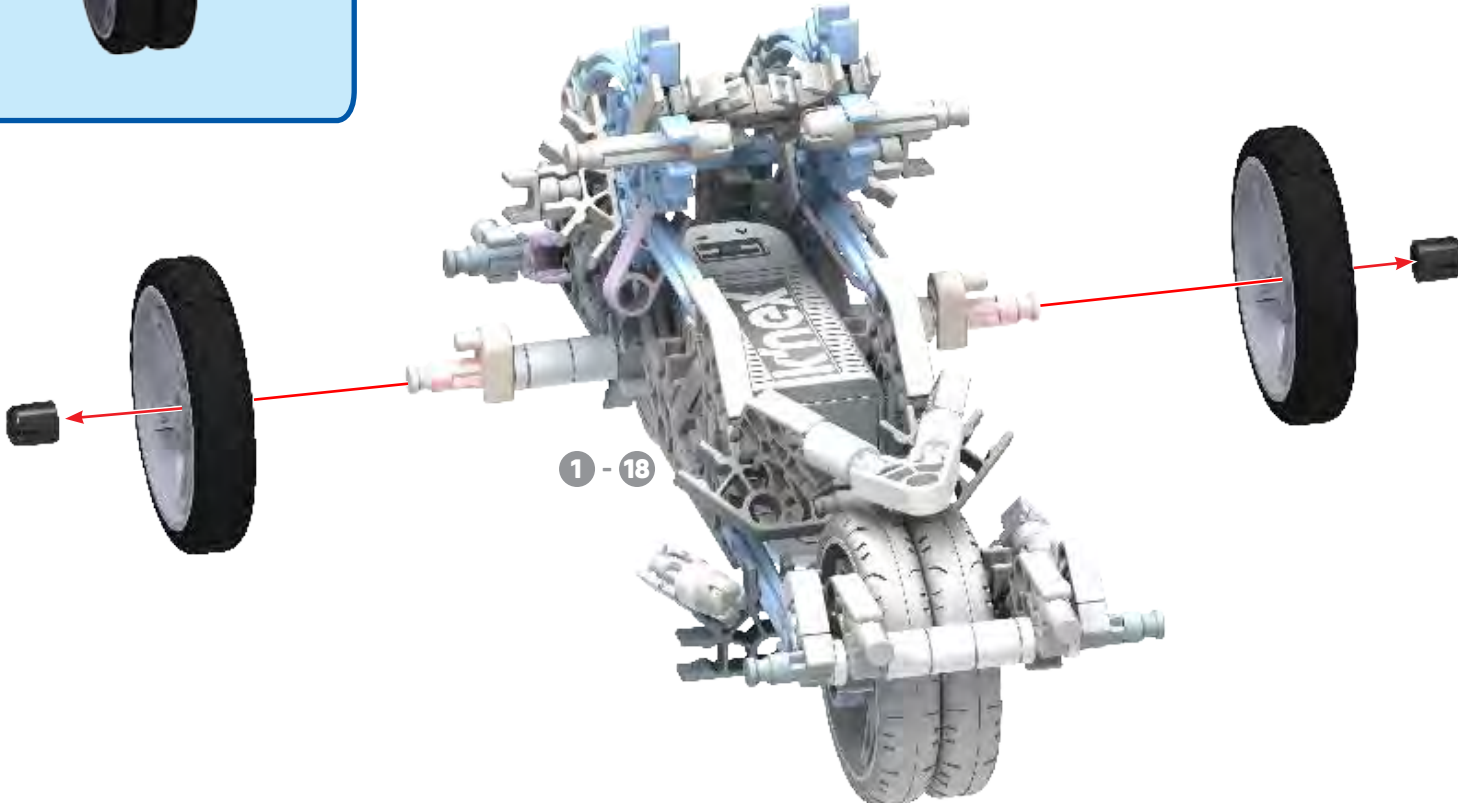
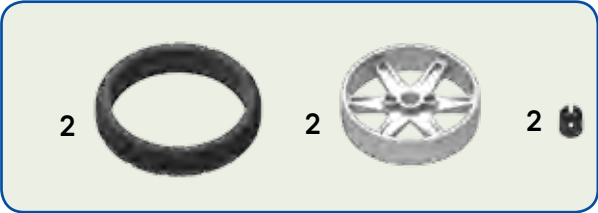
- 2 [Grey cylindrical pin]
- 2 [Black cylindrical pin]
- 2 [Grey U-shaped bracket]
- 2 [Black long axle]



1 - 18

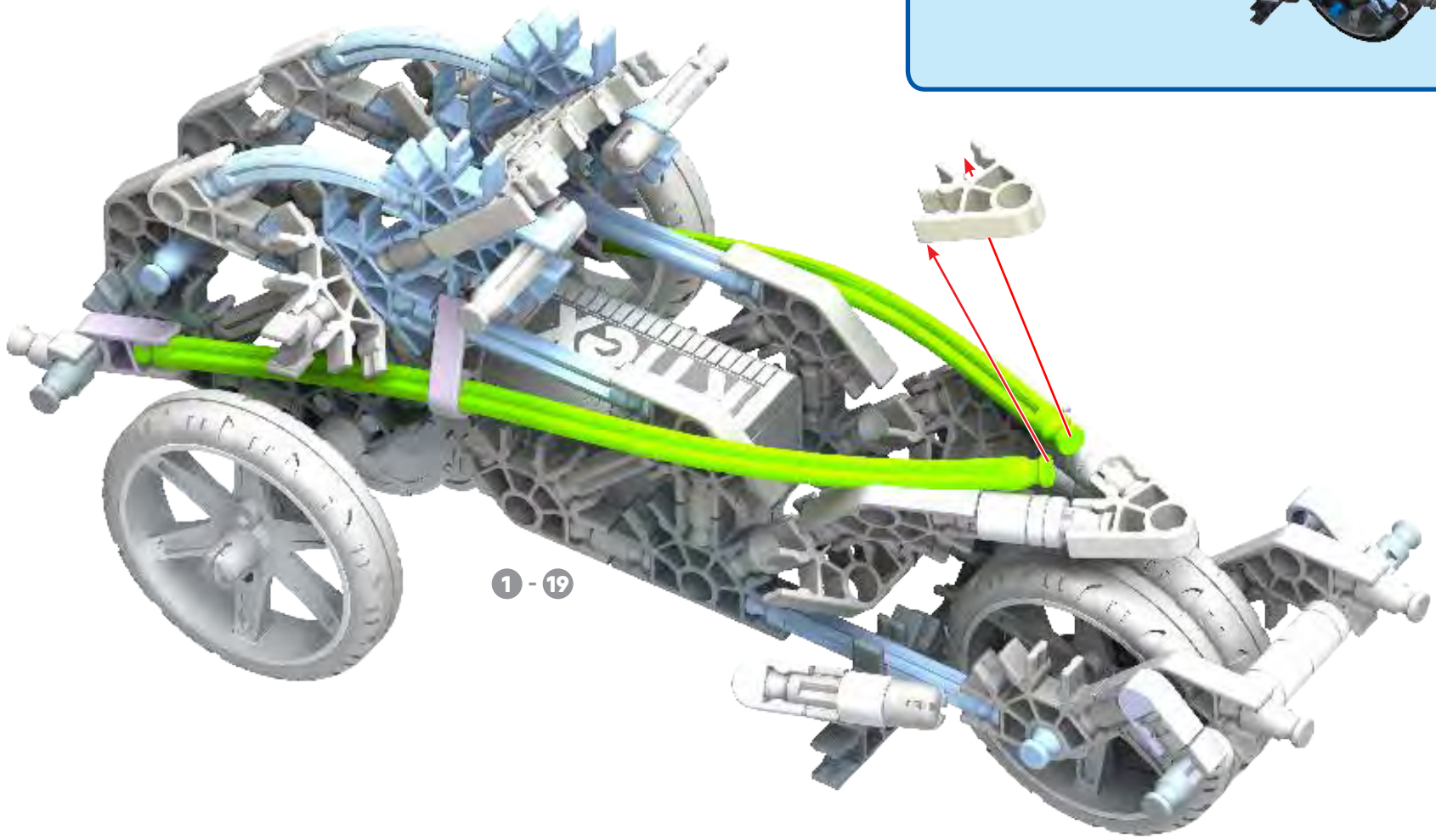


1 - 17

1 - 19



- 2 
- 1 



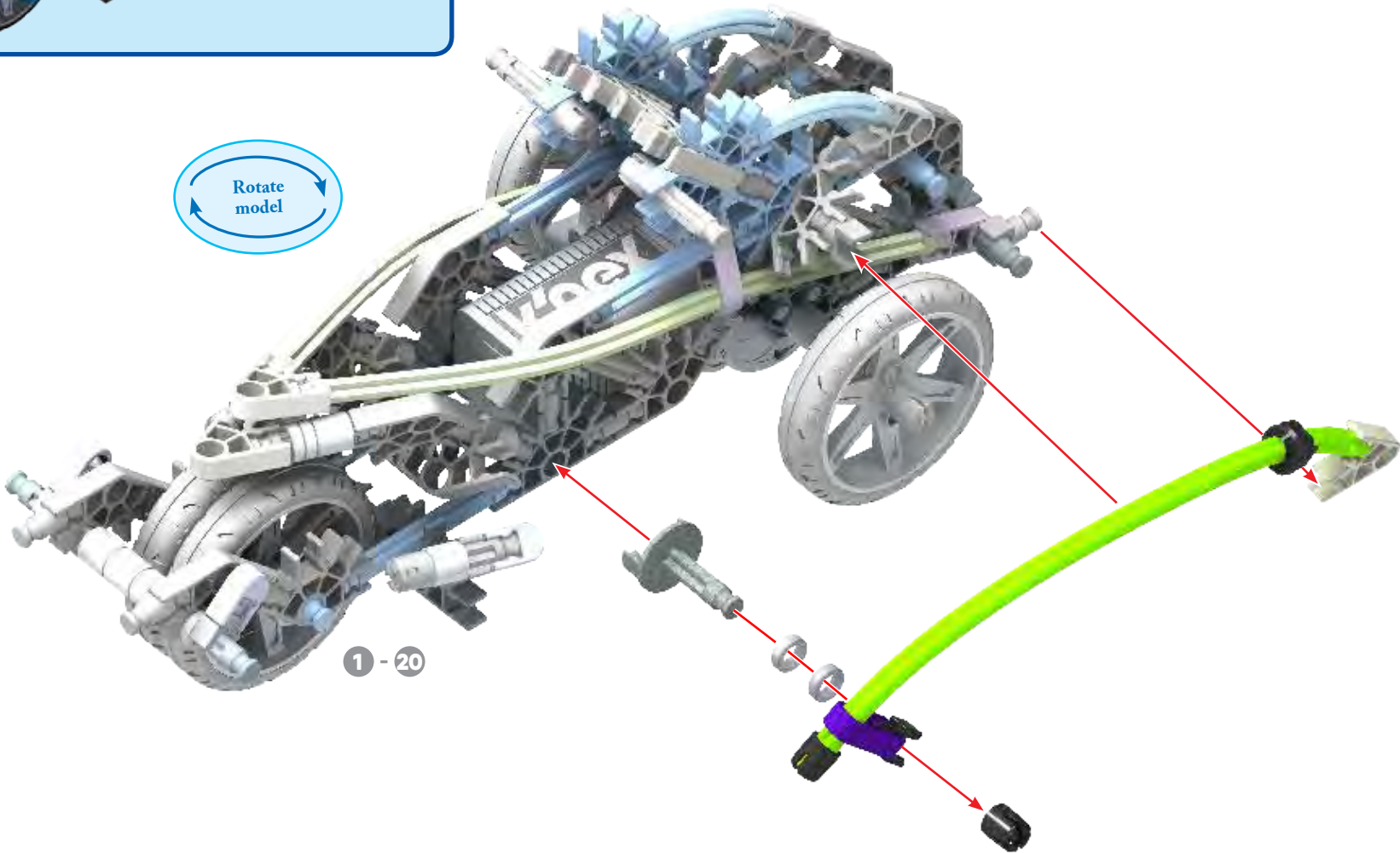
1 - 21









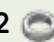
- 1
- 1 1 1
- 1 2
- 1 2

21

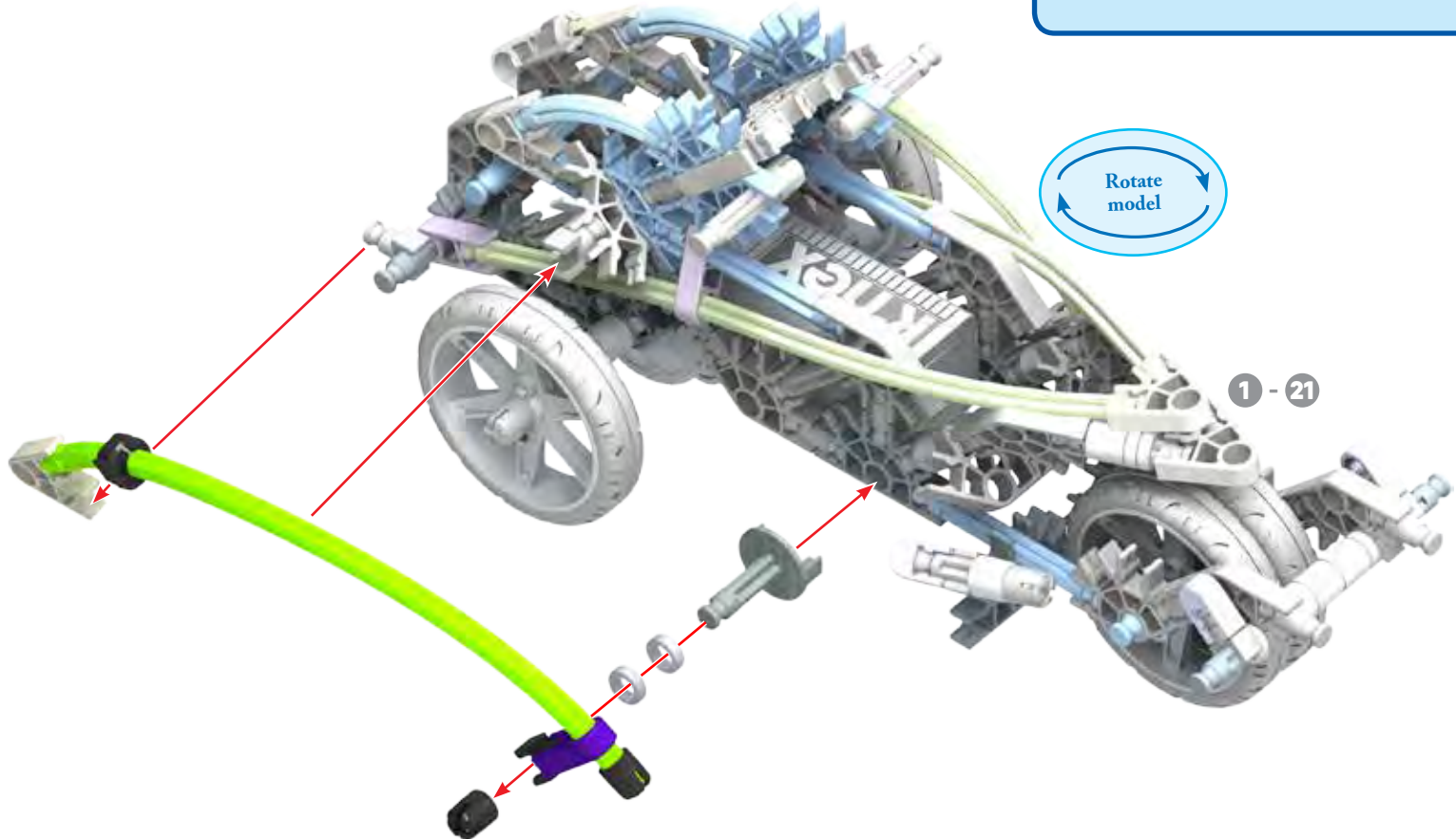
Rotate
model




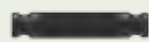


22

- 1 
- 1  1  1  1  2 
- 1  2 

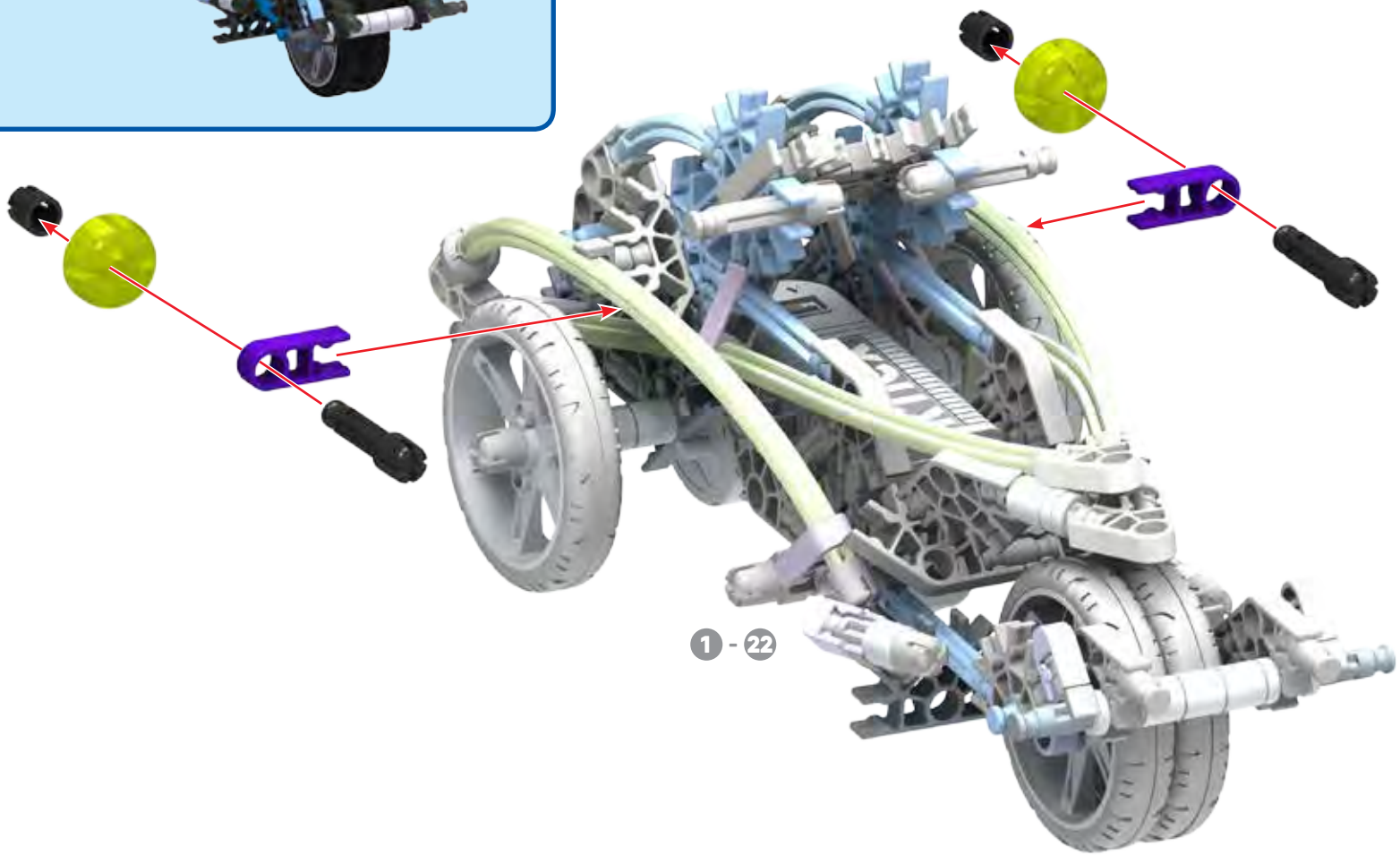
1 - 22



1 - 23

- 2 
- 2 
- 2 
- 4 

23

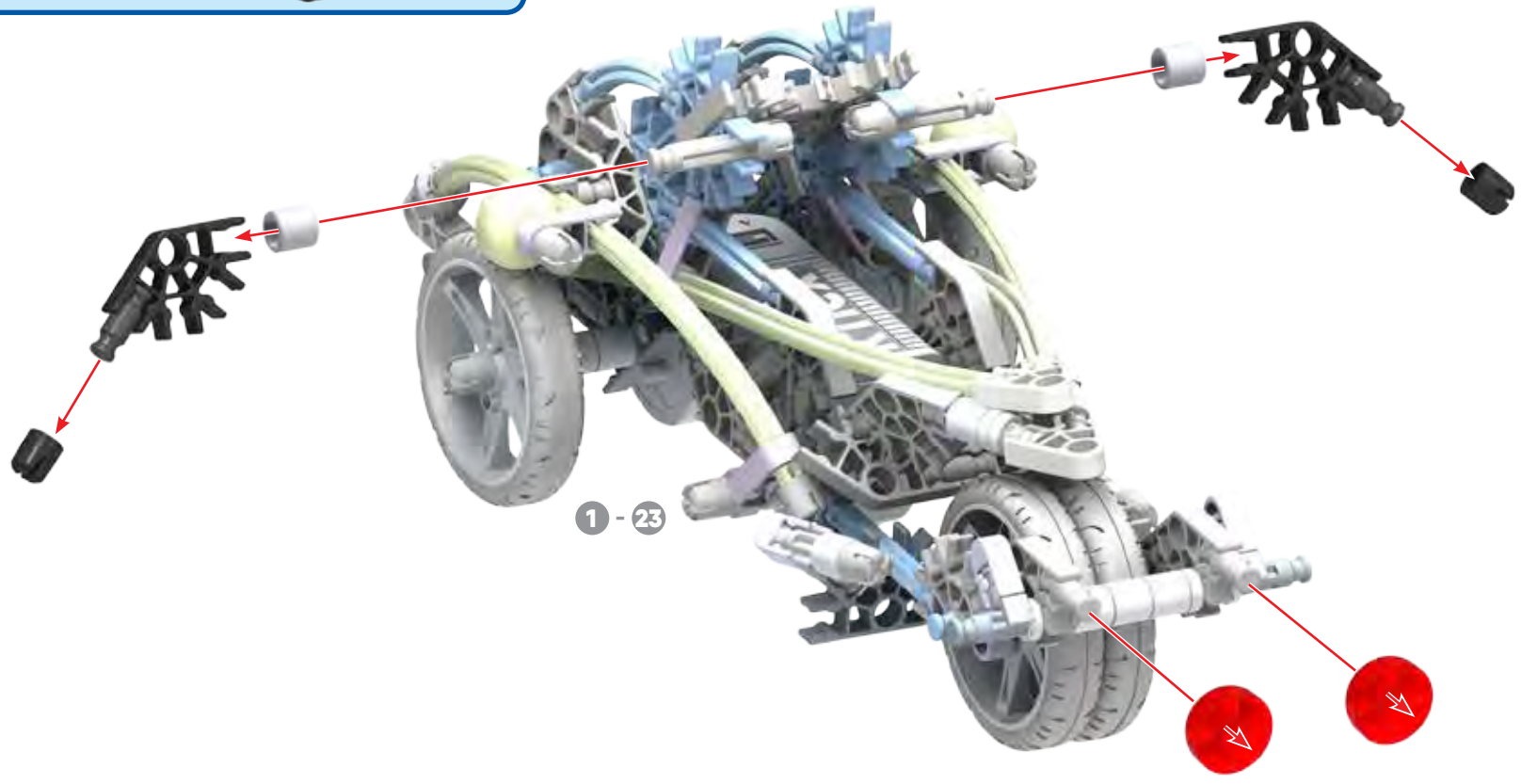


1 - 24



- 2
- 2
- 2
- 2
- 2

24



1 - 23