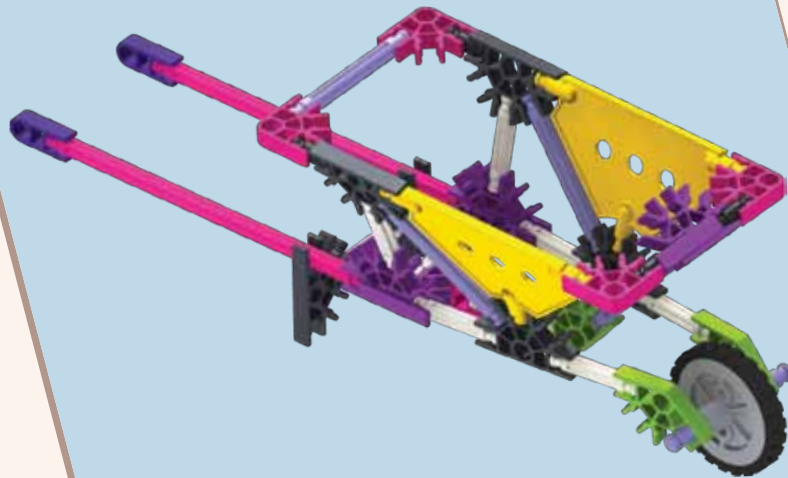


43753 Alternate Build

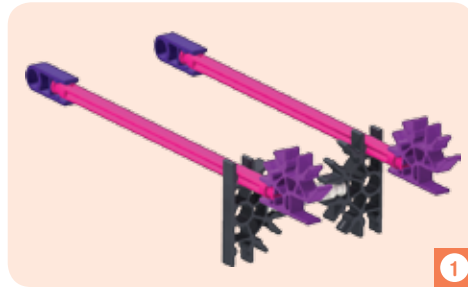


wheelbarrow

Invention: Wheelbarrow



1

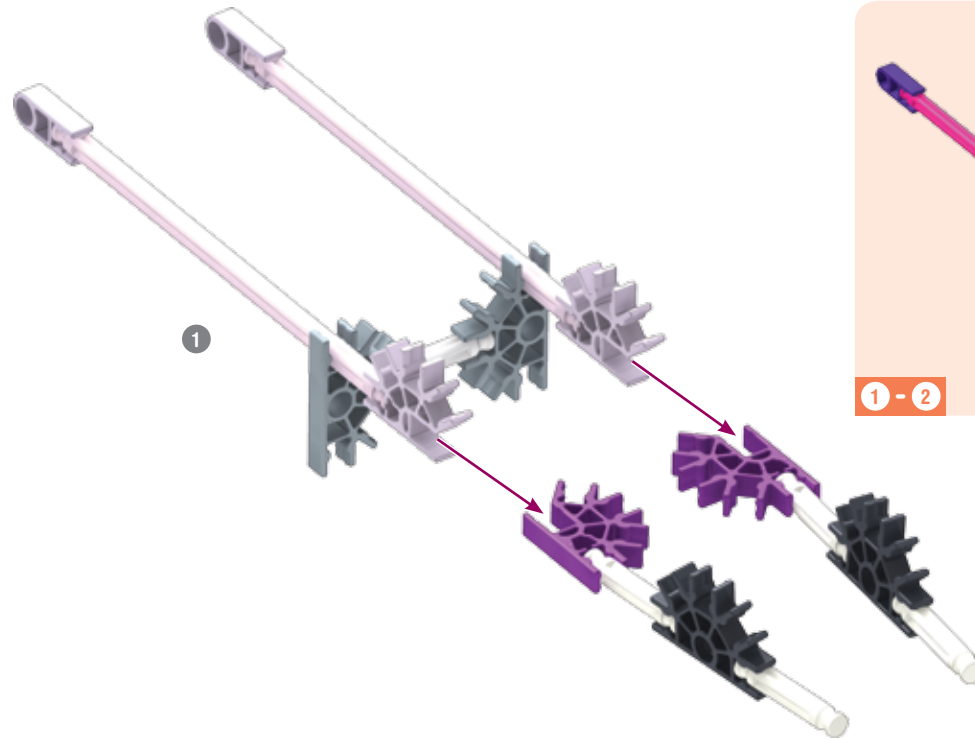


1



We need to help our friend Zoe move mulch, rocks and dirt for her garden. Let's build a wheelbarrow, which is a 2nd class lever, to help her!

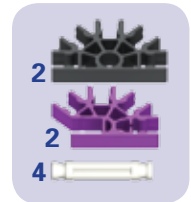
2



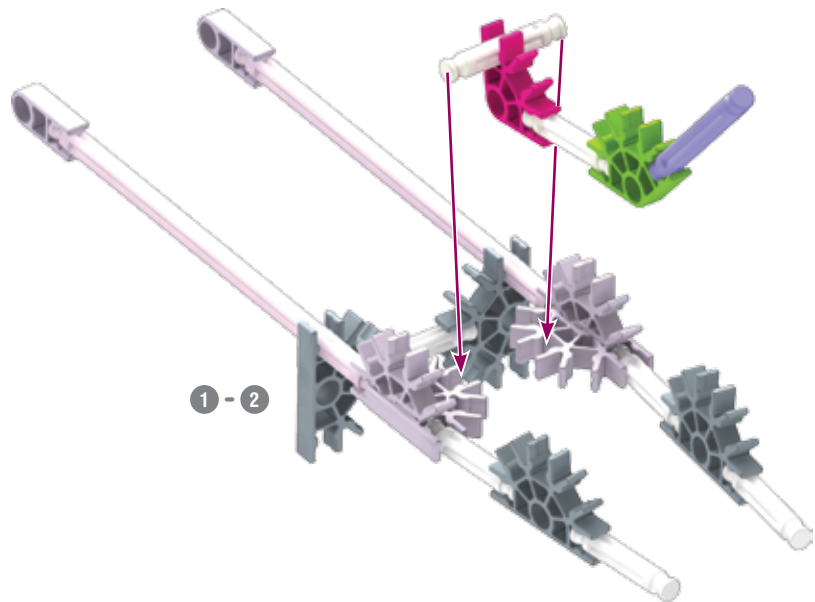
1



1 - 2



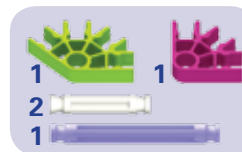
3



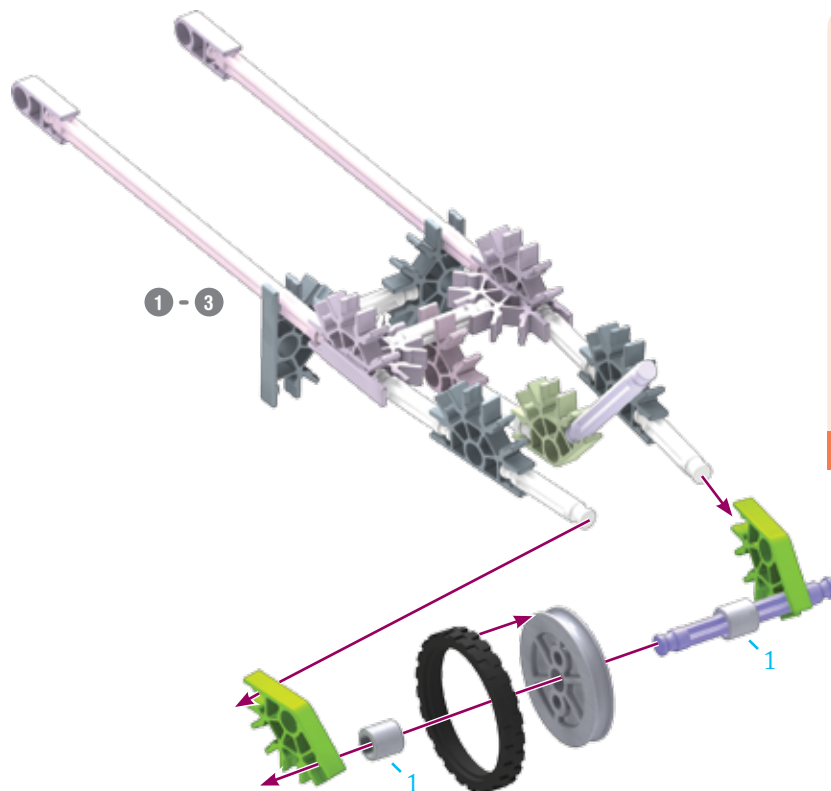
1 - 2



1 - 3



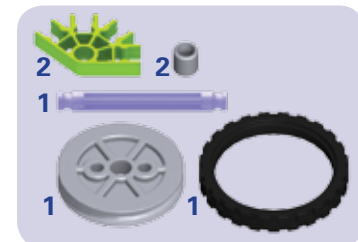
4



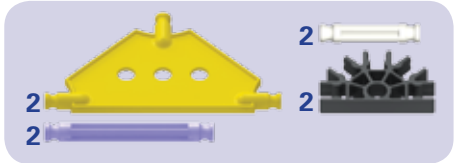
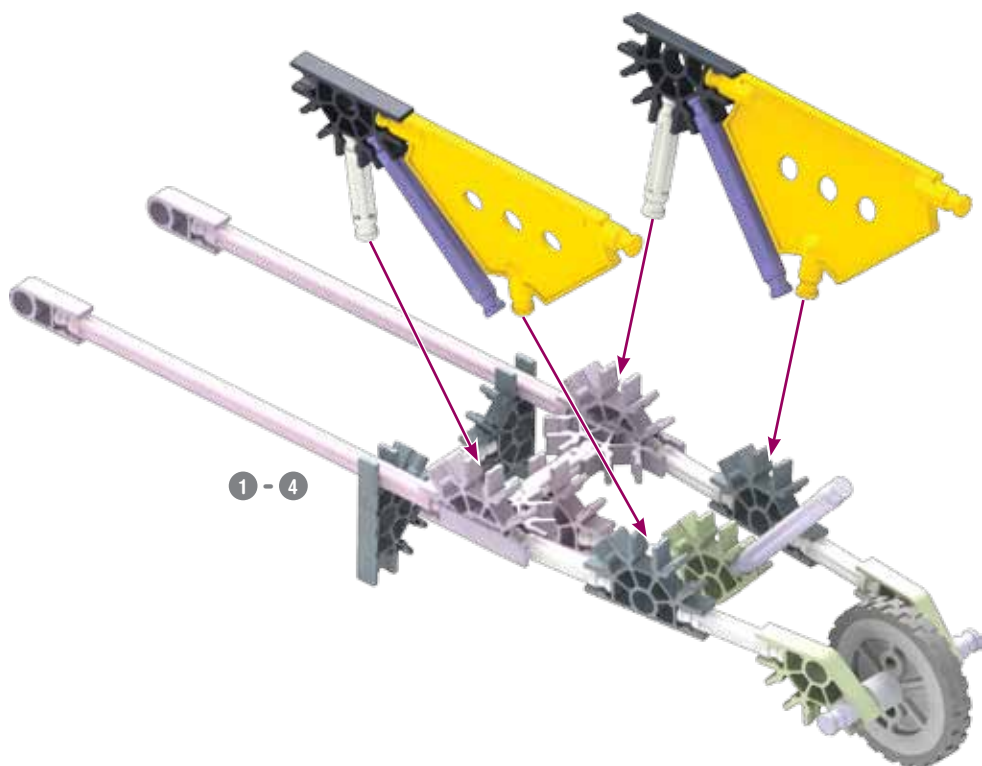
1 - 3

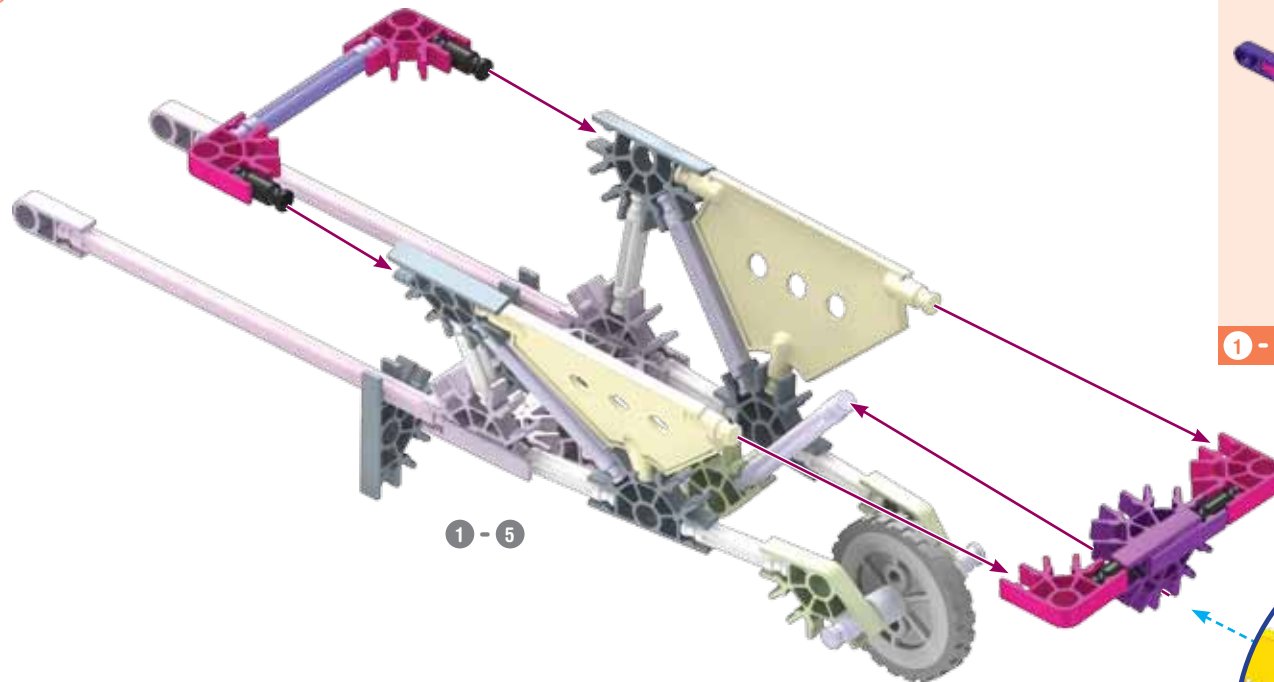


1 - 4



5





1 - 5



1 - 6



Your hands on the handles give the effort. The load inside the wheelbarrow is the resistance. The wheel is the fulcrum. When you lift up the handles, the load goes up in the same direction.

Like all 2nd class levers, the wheelbarrow always uses less force to lift the load, which makes work easier. This is because the resistance is always closer to the fulcrum than the effort. Thanks Emily and Audrey!

