

Maple Woods Trading Post



GENERAL STORE

Ages 3 & Up

THE ORIGINAL

# LINCOLN LOGS

## INSTRUCTIONS

**WARNING:**

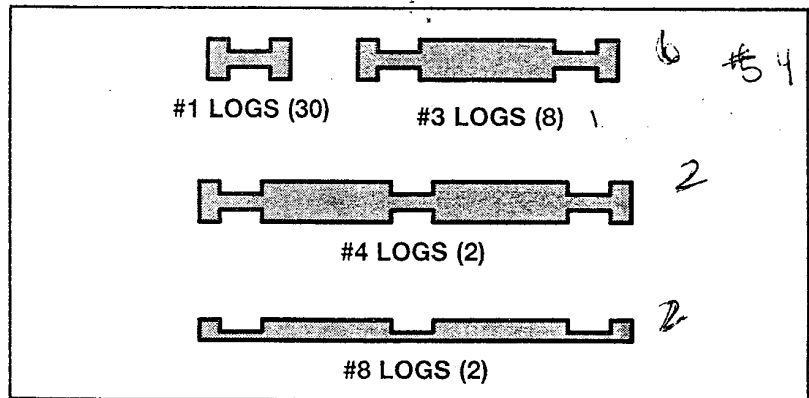
CHOKING HAZARD - Small parts.  
Not for children under 3 years.

Lincoln Logs are made of real wood for lasting durability and good looks. Easy-fitting plastic accessories add colorful fun.

These instructions show you how to make the sets pictured. Using your own creativity, you can make many other structures with this set or combine this set with other Lincoln Logs sets to create larger and more exciting layouts!

### The General Store Set includes:

30 #1 logs, 8 #3 logs, 2 #4 log, 2 #8 logs, 2 roofs, 3 windows, store sign, door, door frame, 2 barrels, storekeeper figure and label sheet.



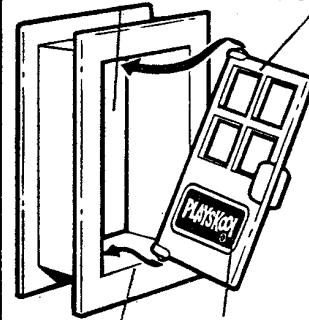
## LABELS

Apply labels to store sign as shown



### TO INSERT DOOR INTO DOOR FRAME:

DOOR FRAME      POST

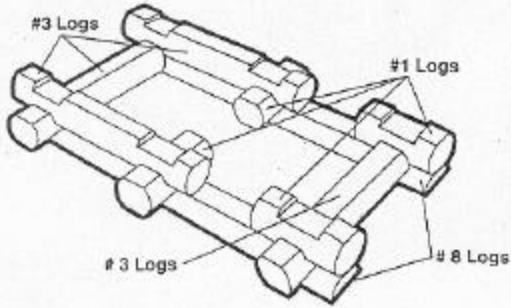


HOLE      DOOR

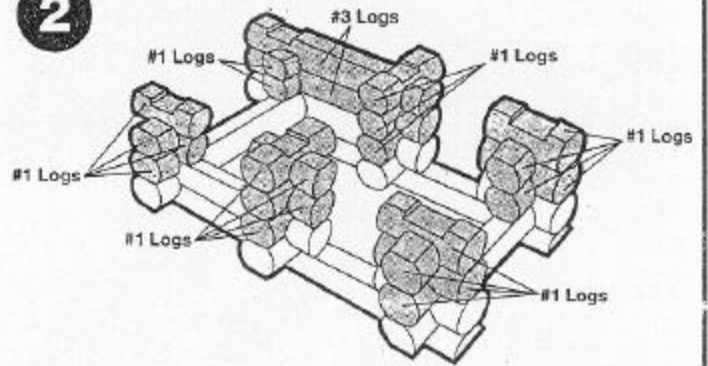
Snap posts on door into holes in top and bottom of door frame.

# GENERAL STORE

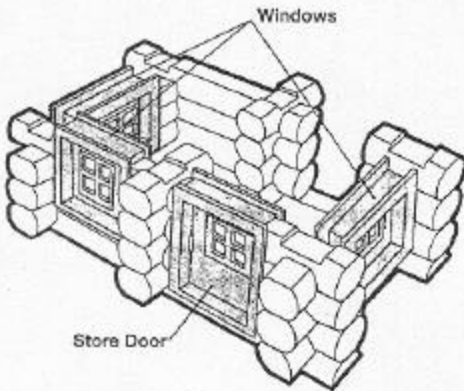
1



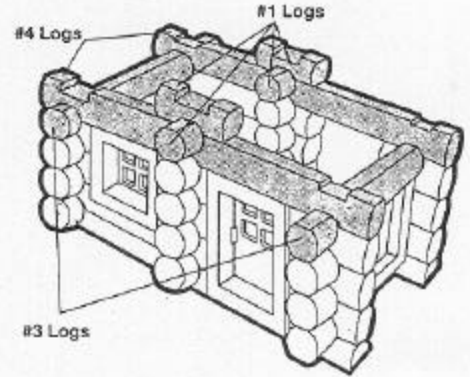
2



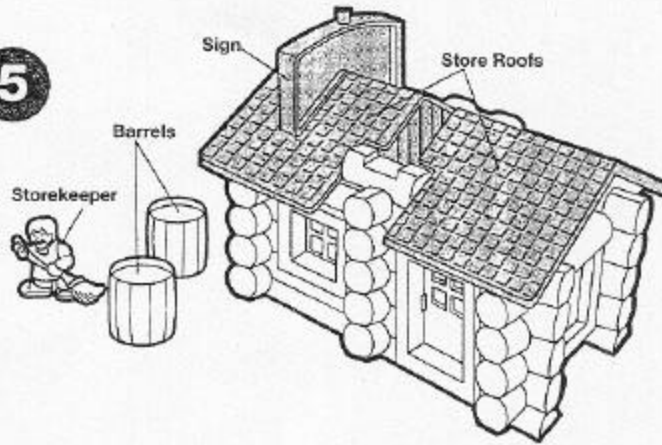
3



4



5



© 1996 Hasbro, Inc., Pawtucket, RI 02862 U.S.A. All Rights Reserved ® denotes Reg. U.S. Pat & TM Office.

LOGS MADE IN MEXICO. FIGURES MADE IN CHINA. OTHER PARTS MADE IN USA. PACKAGED IN MEXICO.

P/N 46887000