

FARM

Ages 3 & Up

THE ORIGINAL

LINCOLN LOGS®

INSTRUCTIONS

Lincoln Logs are made of real wood for lasting durability and good looks.

Easy-fitting plastic accessories including a barn roof and a corral gate add colorful fun.

These instructions show you how to make the sets pictured. Using your own creativity, you can make many other structures with this set or combine this set with other Lincoln Logs sets to create larger and more exciting layouts!



WARNING:

CHOKING HAZARD - Small parts.
Not for children under 3 years.



AVERTISSEMENT!

Danger d'étouffement. Pièces de petite taille.
Ne pas donner aux enfants de moins de 3 ans.

The Farm Set includes:

30 #1 logs, 19 #3 logs, 2 #4 logs, 4 #8 logs, barn roof, corral gate frame, 2 corral gate doors, 2 barrels, trough, farmer, horse, cow, pig and label sheet.

#1 LOGS
(30)



#3 LOGS
(19)

#4 LOGS (2)



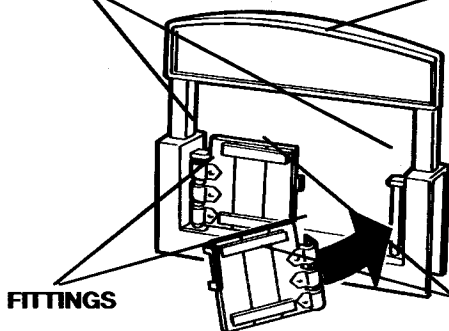
#8 LOGS (4)



TO ASSEMBLE CORRAL GATE DOORS:

POSTS

CORRAL GATE

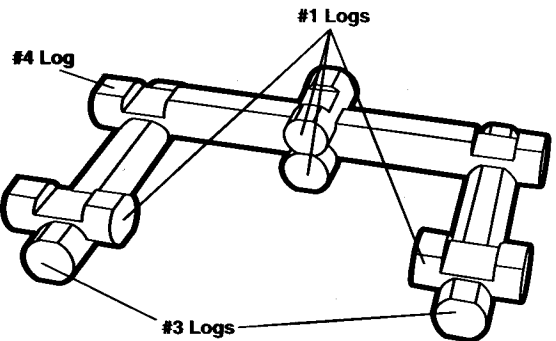


CORRAL DOORS

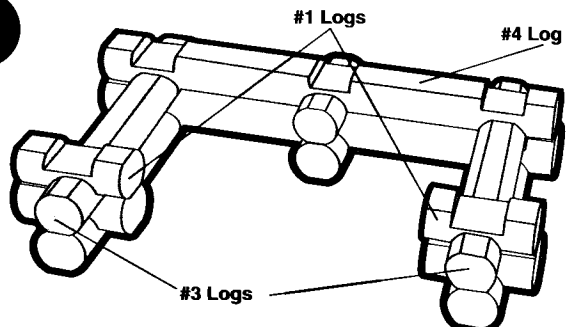
Hook the fittings on sides of doors around the posts on corral gate as shown. Please note that there is a "right" and a "left" door; they are not interchangeable.

CORRAL

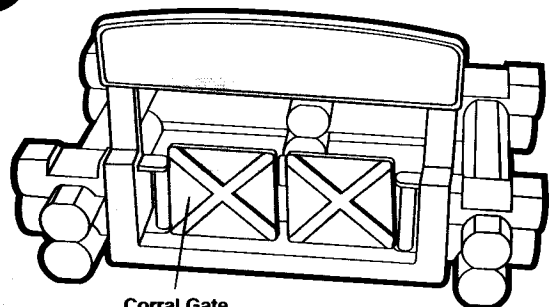
1



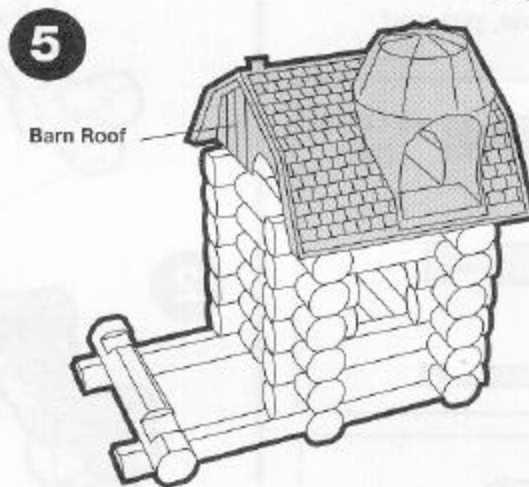
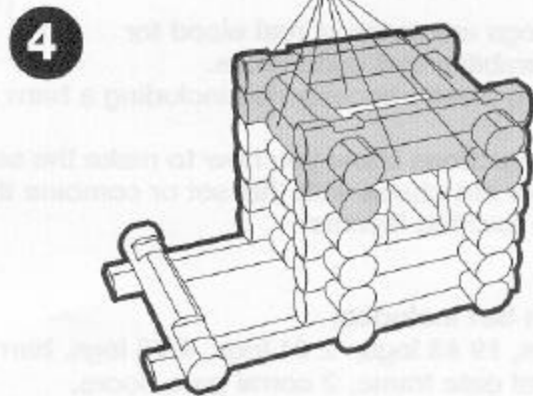
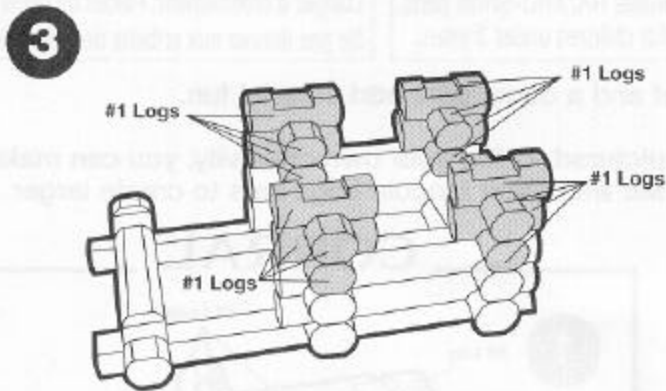
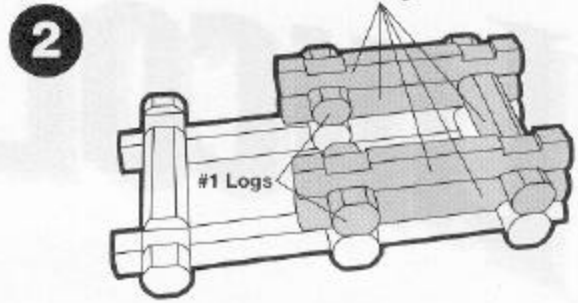
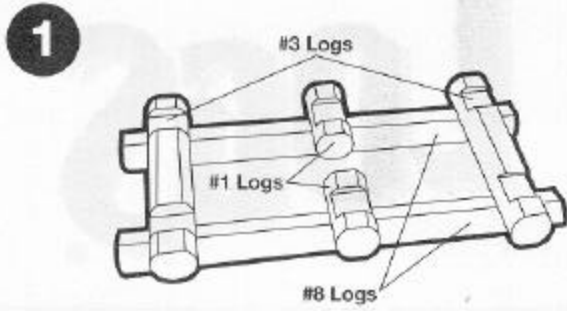
2



3



BARN



LABELS

Apply labels as shown to gate.



1-800-KID-KNEX (USA & CANADA)

Product and colors may vary.
K'NEX INDUSTRIES, INC. HATFIELD, PA 19440 USA.
Manufactured and Distributed under License from Hasbro, Inc.
Lincoln Logs® is a trademark of Hasbro, Inc.
© 1999 Hasbro, Inc. ALL RIGHTS RESERVED
MADE IN CHINA

996/994 Asst.