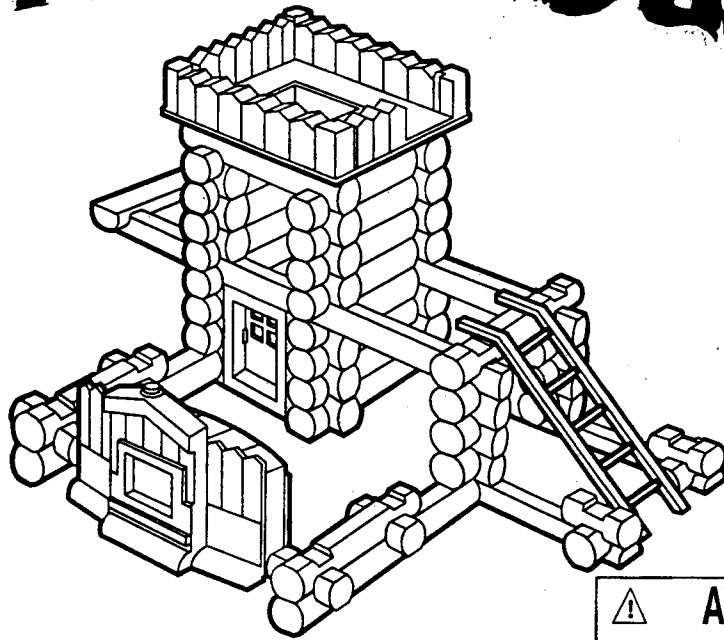


THE ORIGINAL

LINCOLN LOGS®



WARNING:

CHOKING HAZARD-Small parts.
Not for children under 3 years.

AVERTISSEMENT!

Danger d'étouffement. Pièces de petite taille.
Ne pas donner aux enfants de moins de 3 ans.

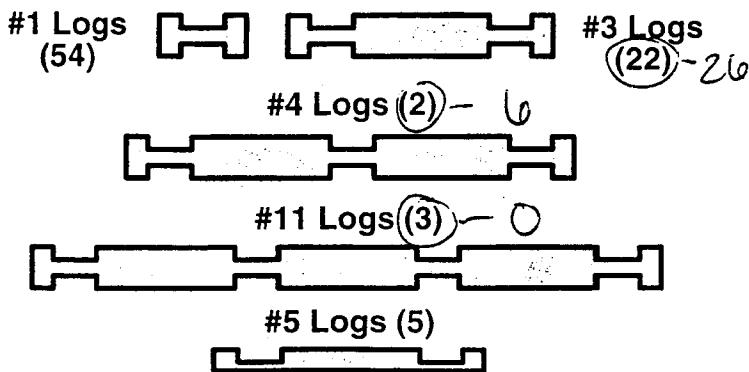
INSTRUCTIONS

Lincoln Logs are made of real wood for lasting durability and good looks. Easy-fitting plastic accessories add colorful fun.

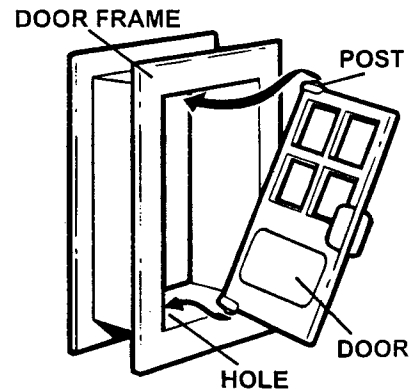
These instructions show you how to make the sets pictured. Using your own creativity, you can make many other structures with this set or combine this set with other Lincoln Logs sets to create larger and more exciting layouts!

The Frontier Explorer Building Set includes:

54 #1 logs, 22 #3 logs, 2 #4 logs, 5 #5 logs, 3 #11 logs, 2 flags, 4 windows, 1 door, 1 door frame, 1 look out roof, 1 look out wall, 1 ladder, 1 hip roof, 1 cavalry officer (Lt. Will D. Erness), 1 native american (Chief Rising Sun) and 1 instruction sheet.



TO INSERT DOOR INTO DOOR FRAME:

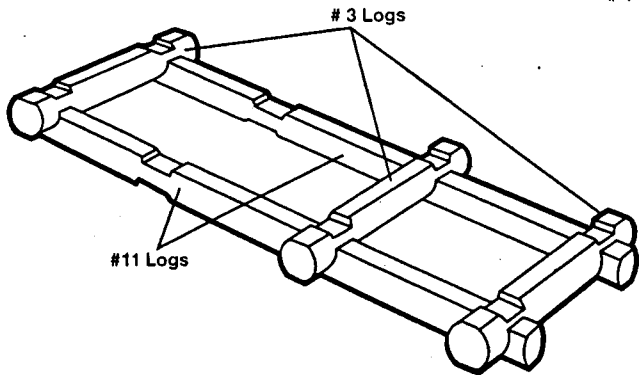


Snap posts on door into holes in top and bottom of door frame.

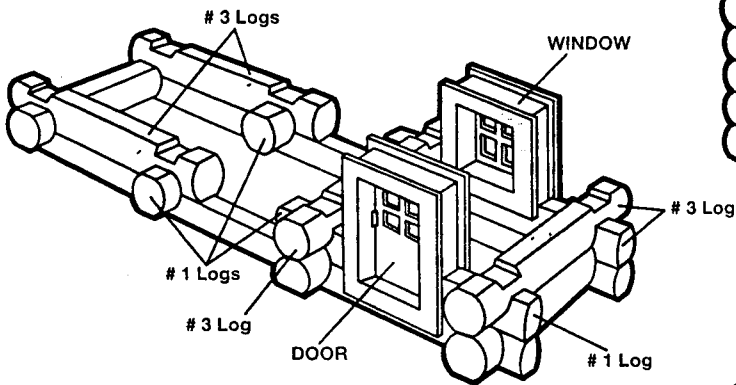
FRONTIER EXPLORER

BUILDING SET

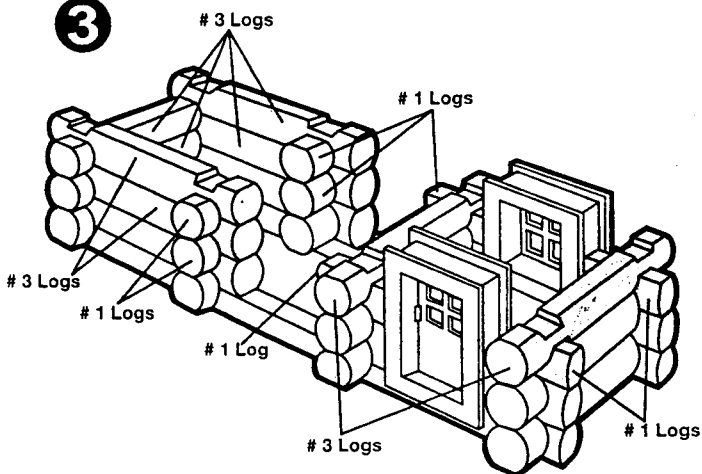
1



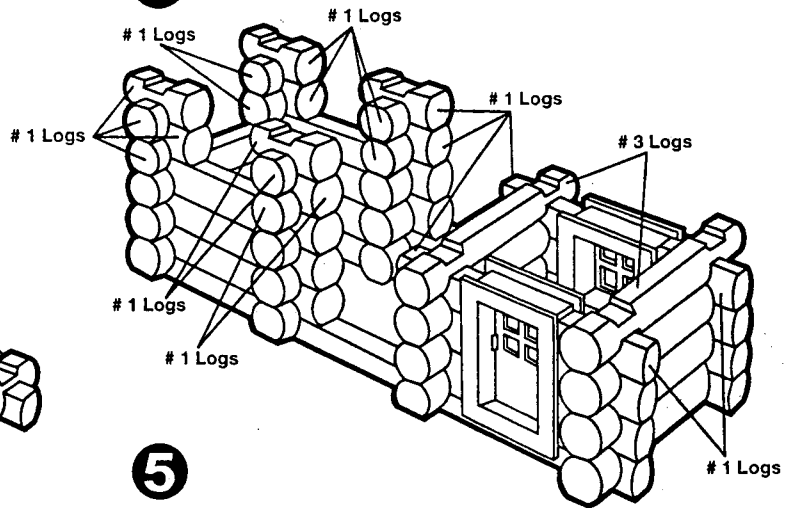
2



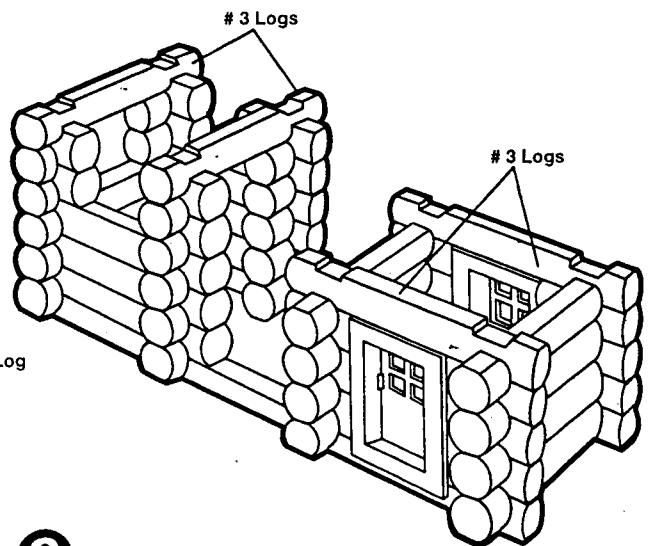
3



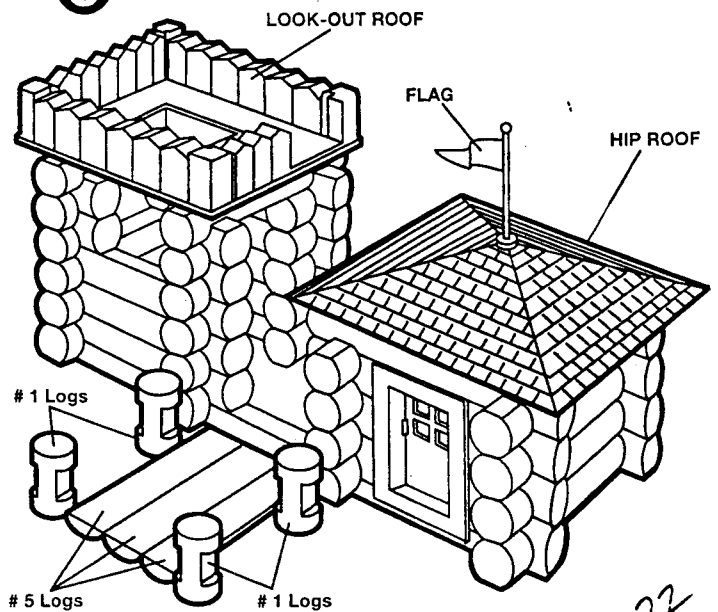
4



5



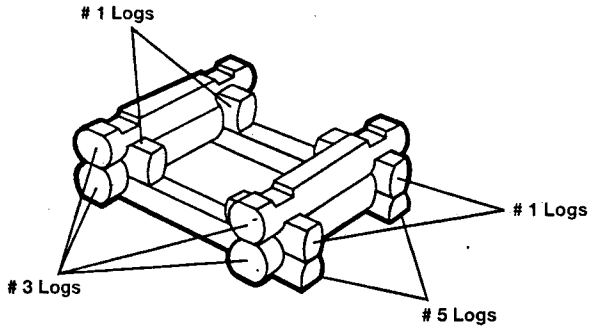
6



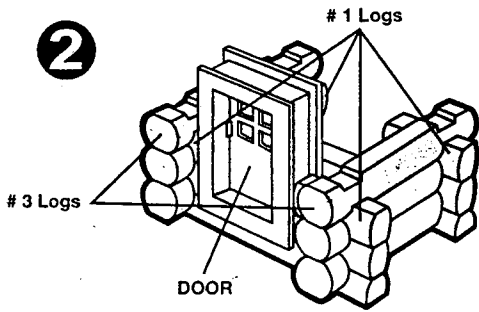
FRONTIER EXPLORER

BUILDING SET

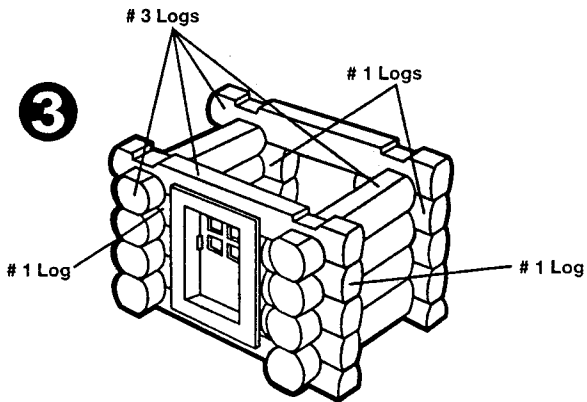
1



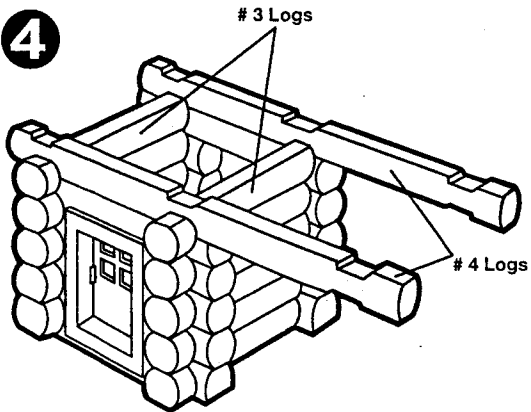
2



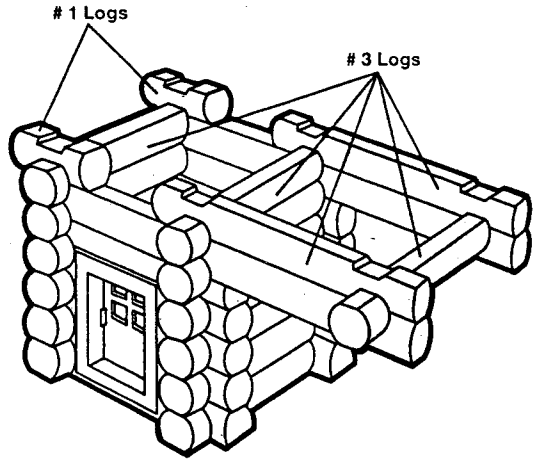
3



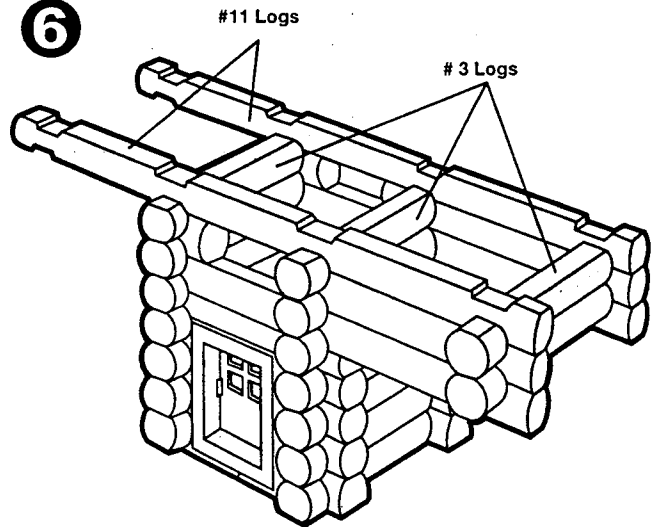
4



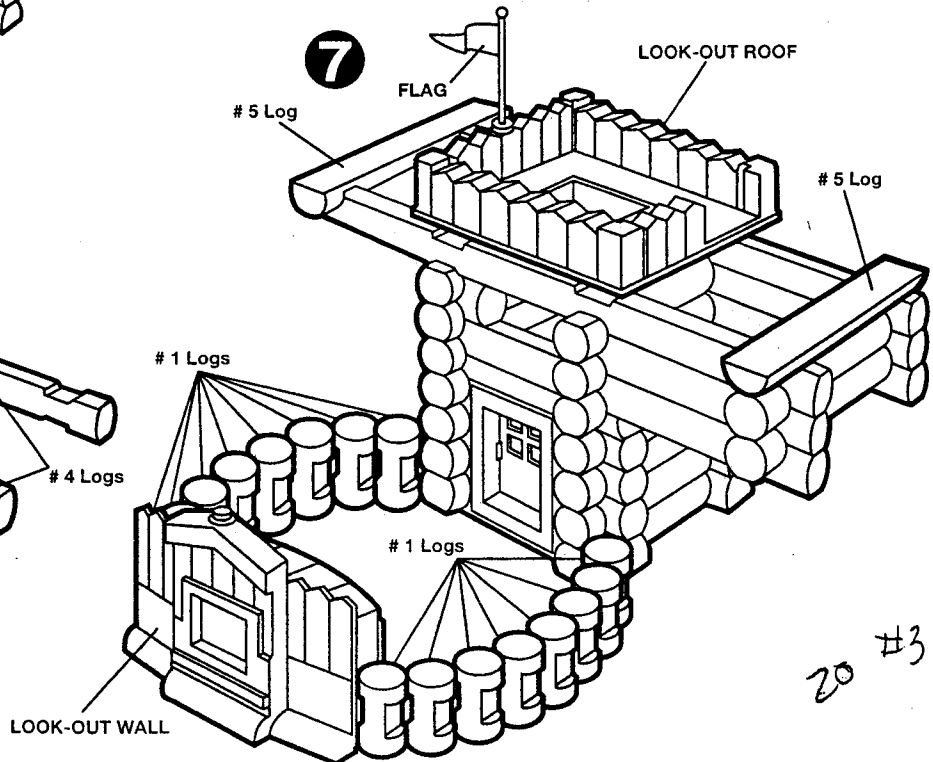
5



6



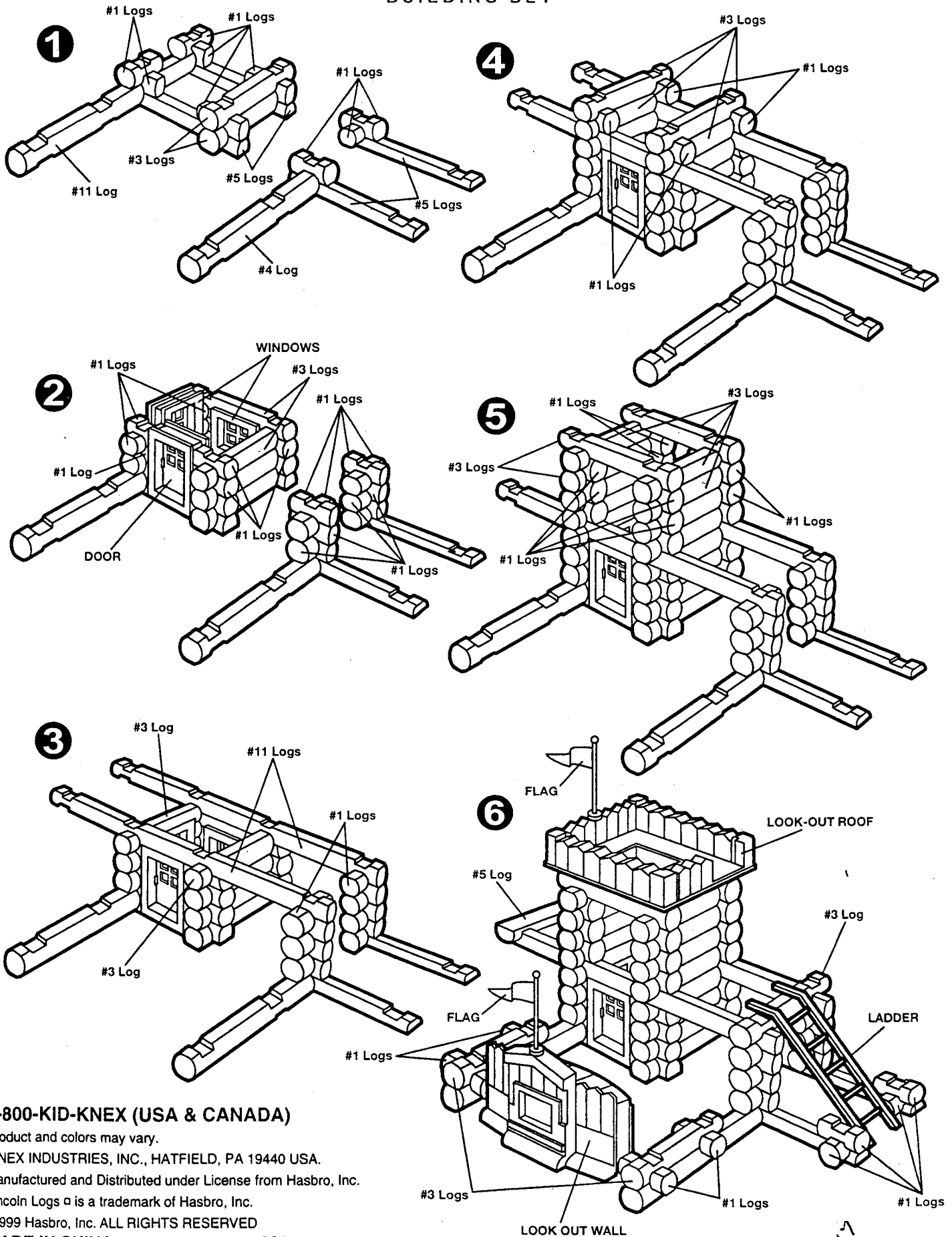
7



20 #3

FRONTIER EXPLORER

BUILDING SET



1-800-KID-KNEX (USA & CANADA)

Product and colors may vary.

K'NEX INDUSTRIES, INC., HATFIELD, PA 19440 USA.

Manufactured and Distributed under License from Hasbro, Inc.

Lincoln Logs is a trademark of Hasbro, Inc.

© 1999 Hasbro, Inc. ALL RIGHTS RESERVED

MADE IN CHINA

901