

4 DROP-N-SWING™

**COLLECT
ALL
4**



! WARNING:
CHOKING HAZARD - Small parts.
Not for children under 3 years.

! AVERTISSEMENT:
DANGER D'ÉTOUFFEMENT - Pièces de petite taille.
Ne pas donner aux enfants de moins de 3 ans.

K'NEX®

4

DROP-N-SWING™



IMPORTANT STUFF FOR PARENTS & KIDS

Keep these instructions in a handy location. They contain important safety information.

Read all warnings and instructions before you start to build and operate the model.

WARNING: CHOKING HAZARD - Small parts. Not for Children under 3 years.

CAUTION: Keep hands, face, hair and clothing away from all moving parts.

CAUTION: Be careful not to tip the model over. Model should be placed on a flat and hard surface.

- Share the K'NEX experience with your child and make building with K'NEX a family fun adventure.
- Take your time to enjoy the building process. Don't rush!
- While you're building make sure you face your model in the same direction as the pictures show in the instructions.
- Be sure to install batteries into the motor before you start building your motorized models.
- Product and colors may vary.

BATTERY INFORMATION

Caution: To Avoid Battery Leakage

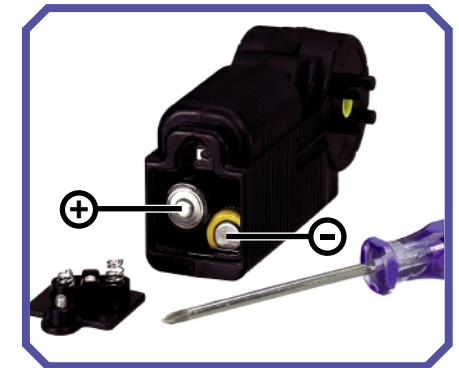
- Be sure to insert the batteries correctly and always follow the toy and battery manufacturers' instructions.
- Do not mix old and new batteries or alkaline, standard (carbon-zinc) or rechargeable (nickel-cadmium) batteries. Only batteries of the same or equivalent type recommended should be used.
- Always remove weak or dead batteries from the product; do not short-circuit supply terminals.
- Insert batteries with correct polarity (+/-) as shown.

Important Tips:

- Alkaline batteries AA (LR6) are recommended.
- Rechargeable batteries are not recommended.
- Remove rechargeable batteries from toy before charging; they must be charged only under adult supervision.
- Non-rechargeable batteries must not be recharged.
- Keep components free of dust; do not immerse or use in water.
- Do not dispose of batteries in a fire; they could leak or explode and cause injury.
- Remove all batteries if the toy will not be used for a long period of time.
- Do not put Rods smaller than 2 inches in any openings of the motor; they will damage the motor, and cannot be removed.

How to Insert and Remove Batteries:

- Use a small Phillips head screwdriver to loosen the screw. Insert 2 fresh AA batteries (LR6) into the compartment with the correct polarity (+/-) as shown here.



COLLECT ALL
Collectionnez
Les

4

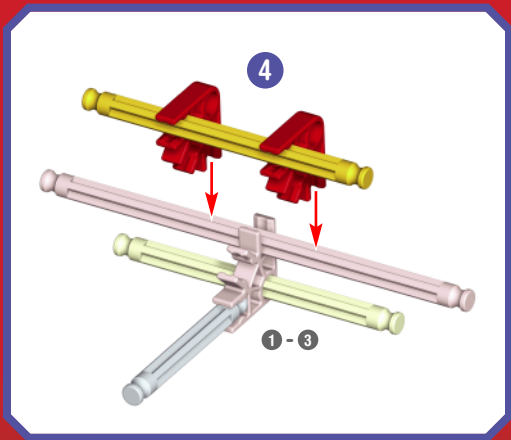
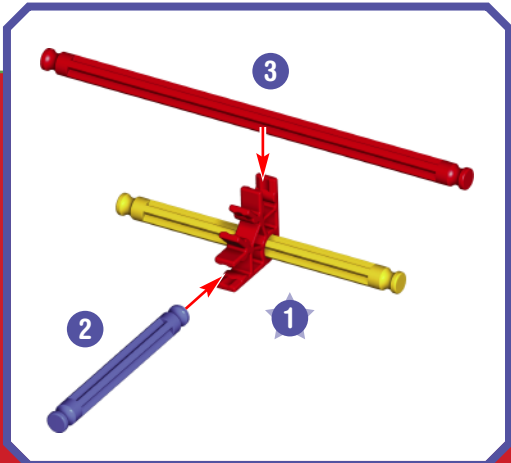
*Sold separately.
Vendus séparément.
Se venden por separado.
Separat erhältlich.
Venduti separatamente.
Vendidos separadamente.
Afzonderlijk verkocht.
Säljes separat.
Sælges separat.
Selges separat.
Myydään erikseen.



BUILDING BASICS

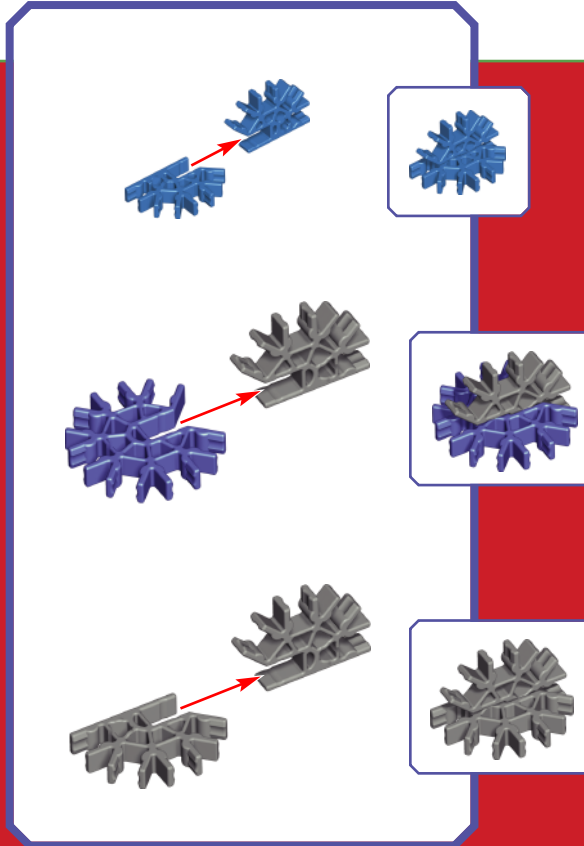
Getting Started:

To begin your model, find the **1** and follow the numbers. Each piece has its own shape and color. Just look at the pictures, find the pieces in your set that match and then connect them together. Try to face your model in the same direction as the instructions while you build. Faded colors show you this section is already built. You'll want to connect the new section to the place where the arrows are pointing.



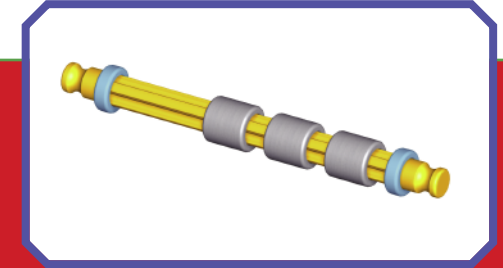
Connectors:

There are blue and gray Connectors with special long slots. They slide together as you see in the pictures. Push these parts together until you hear a "click."



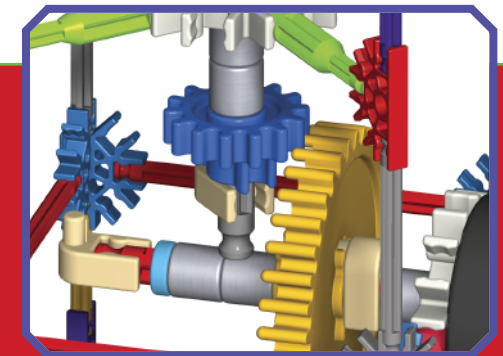
Spacers:

There are places in your model where you need to add blue and silver Spacers. Be sure to use the right color and count them carefully.



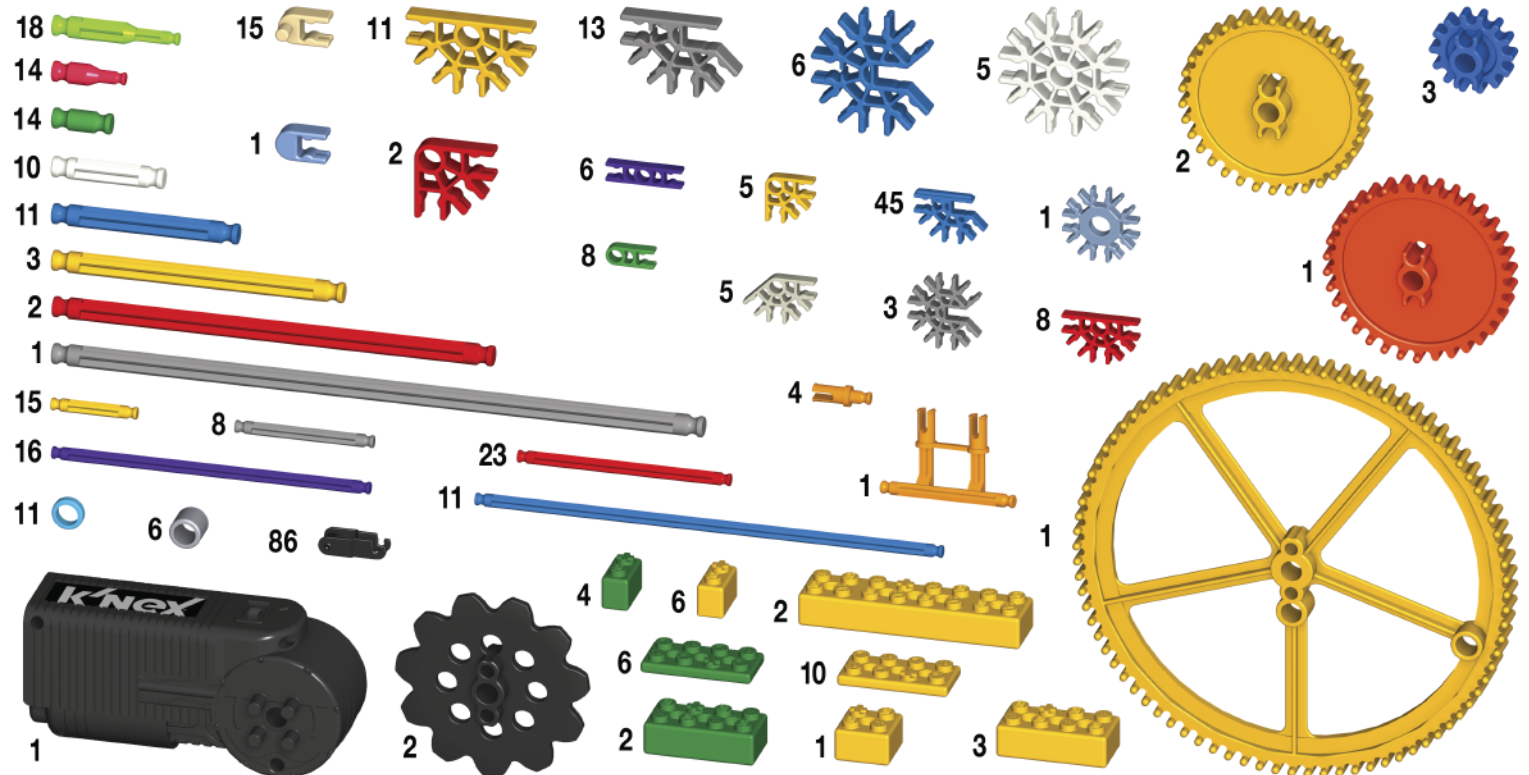
Gears:

To engage the Gears, push the tan Lock into the holes of the Gear. Note the position of the Gears and the direction of the teeth. Make sure these Gears mesh.

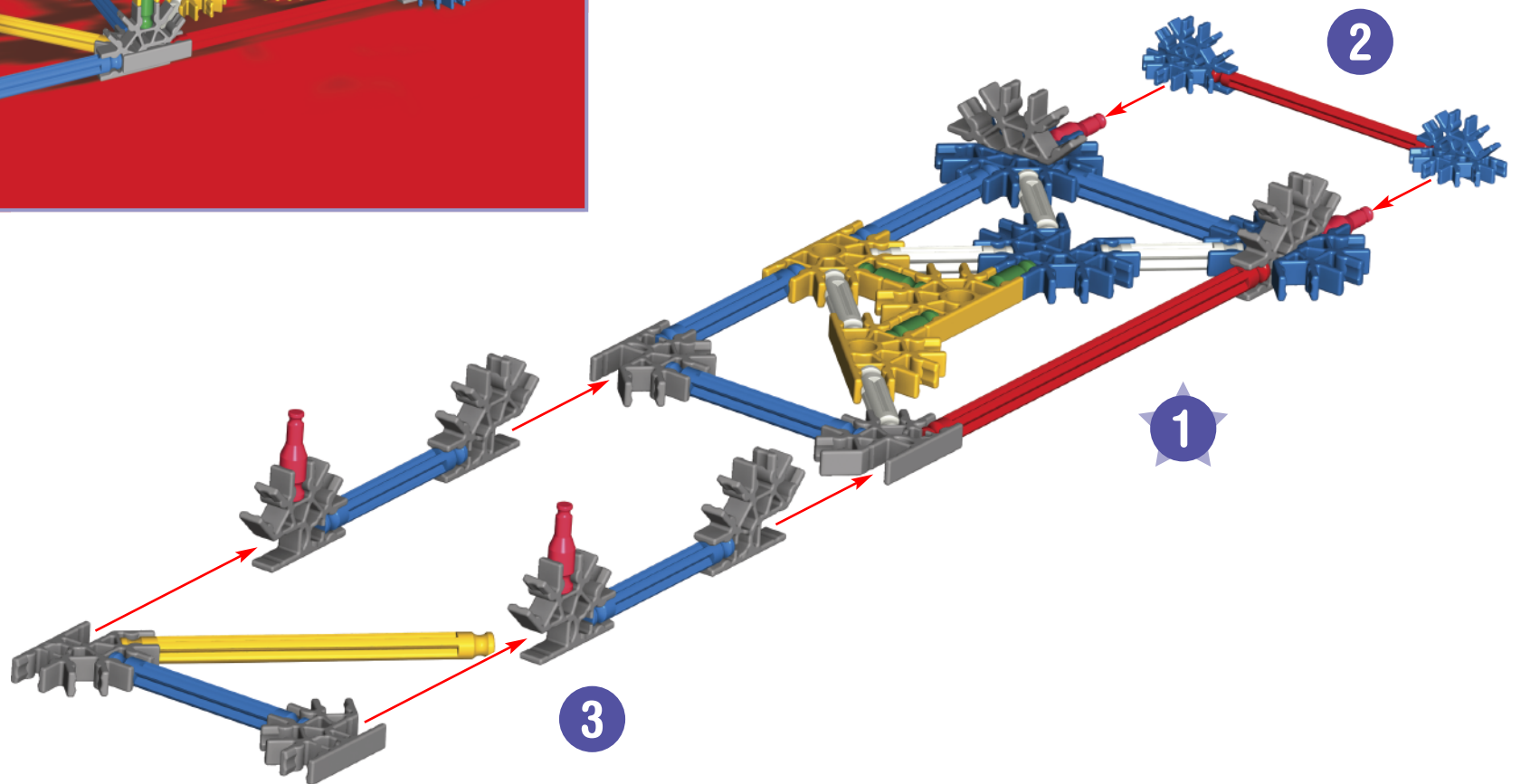
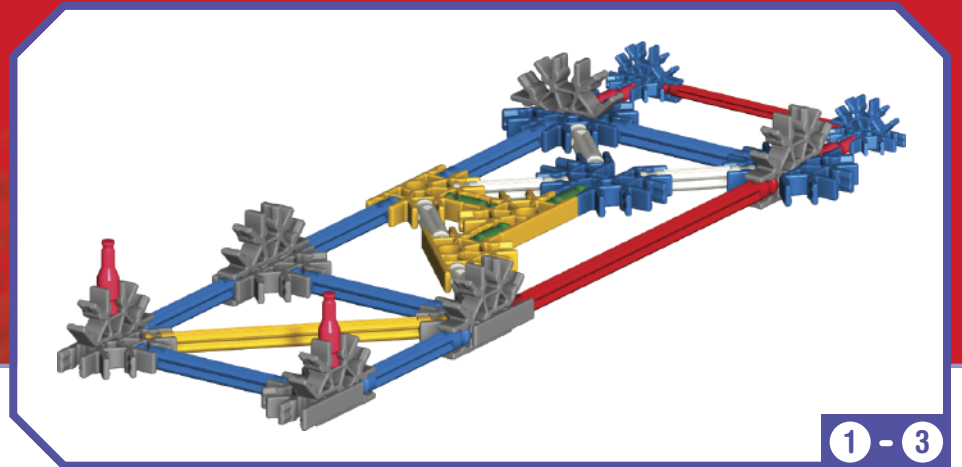


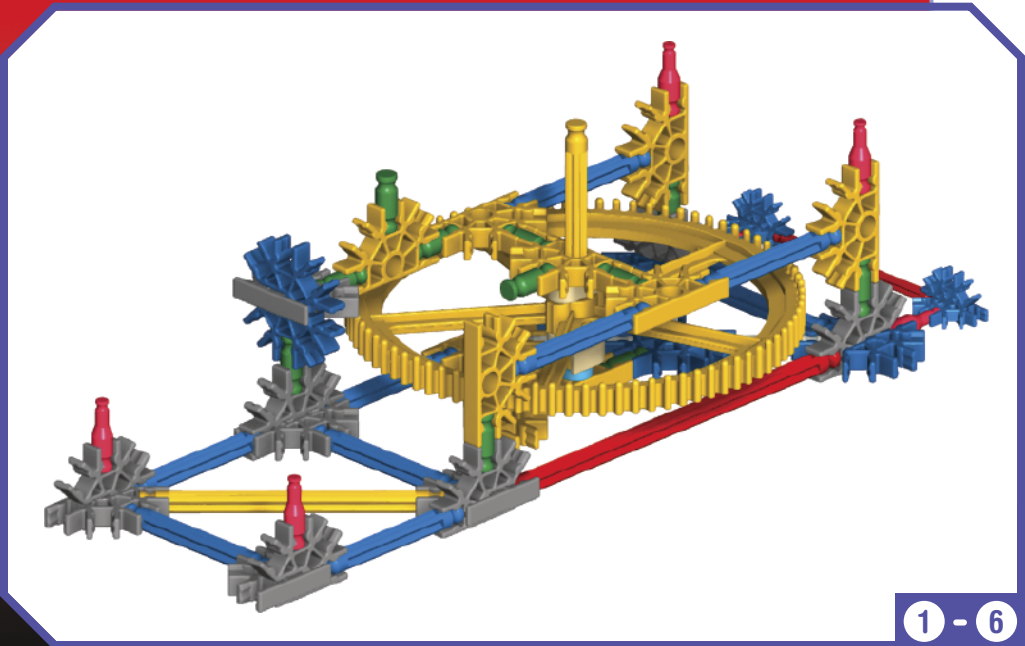
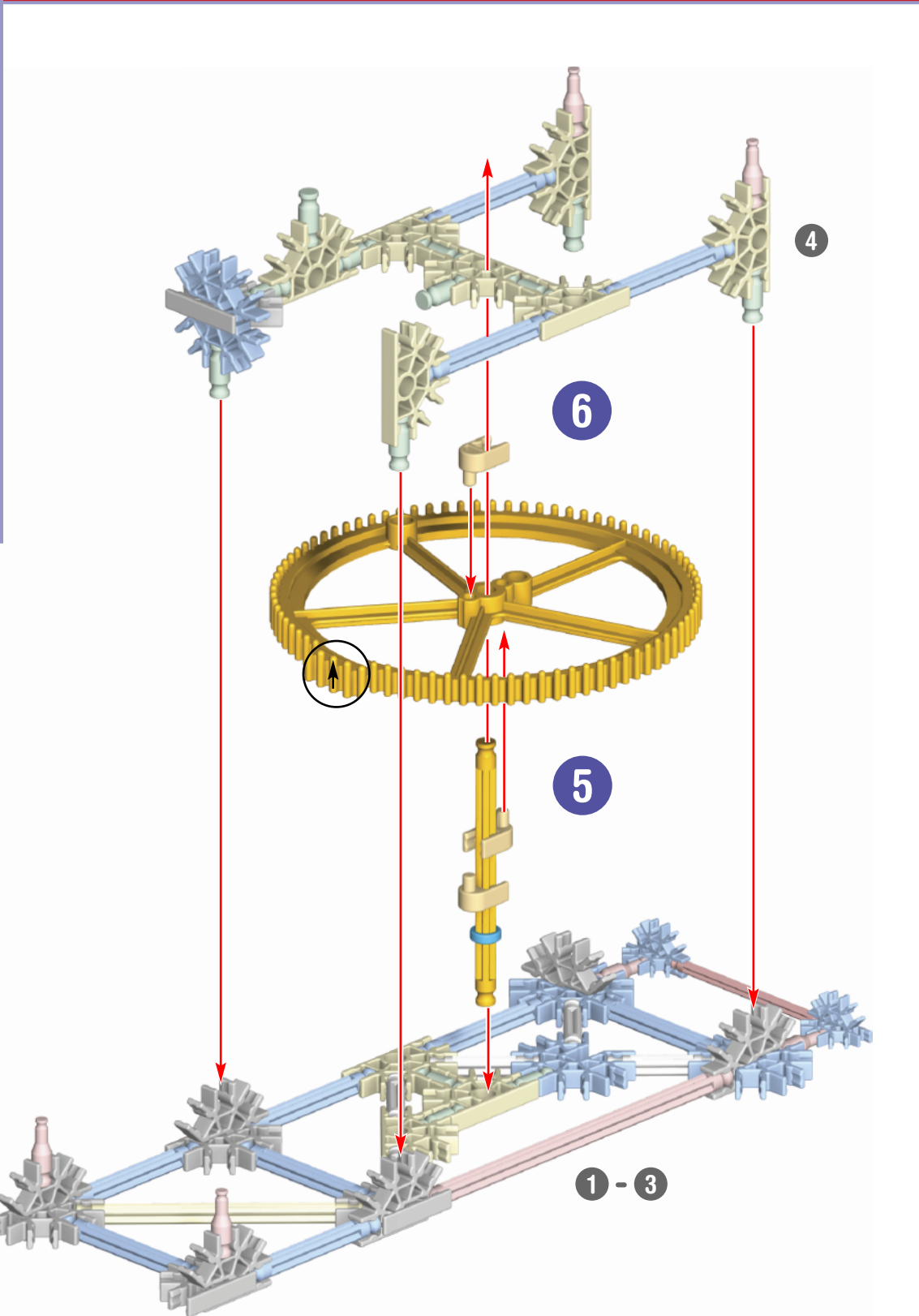
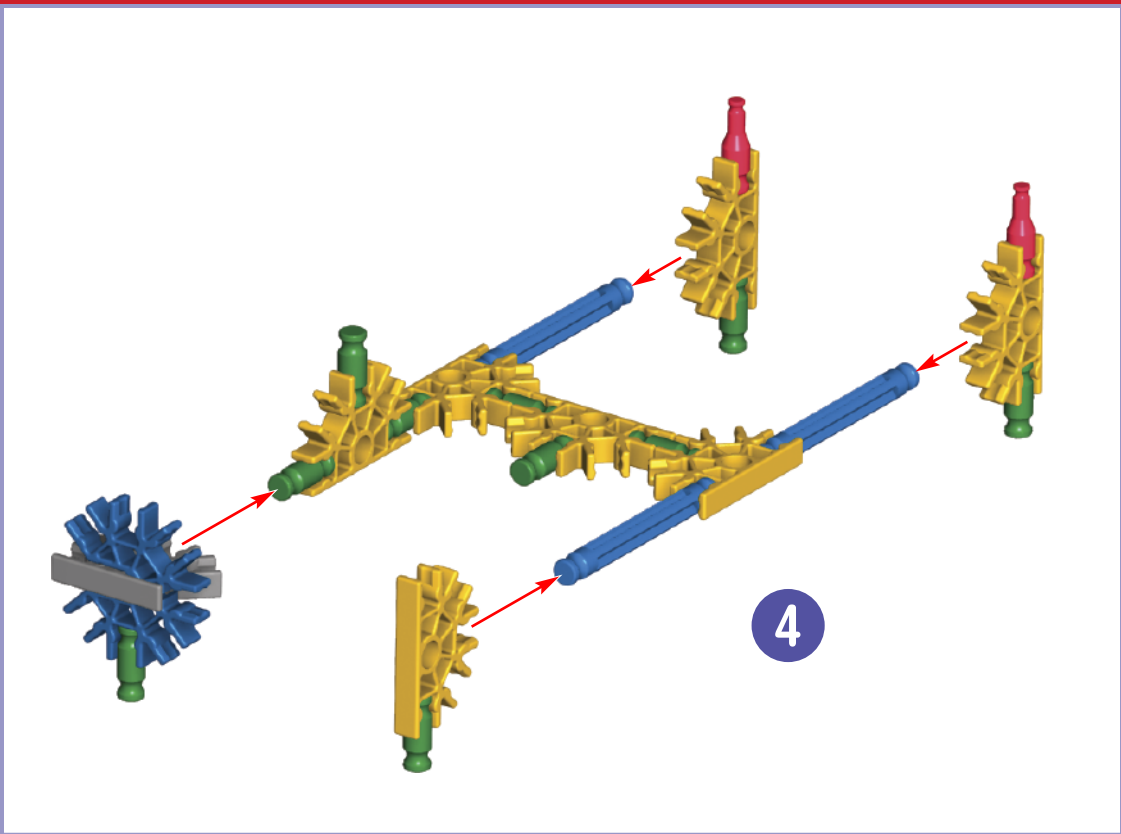
Parts Count:

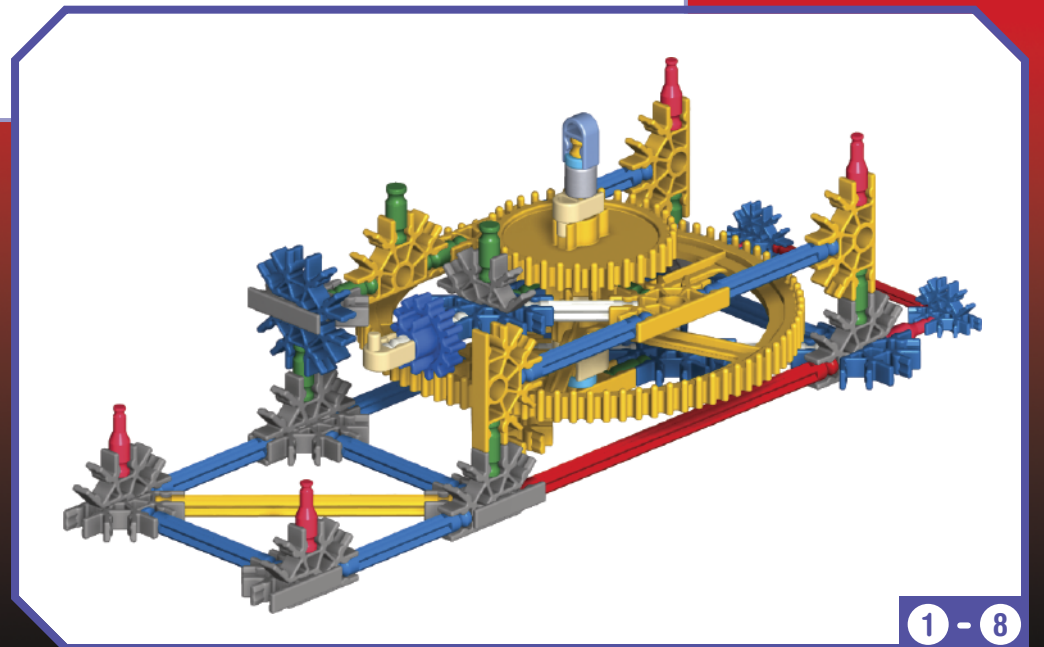
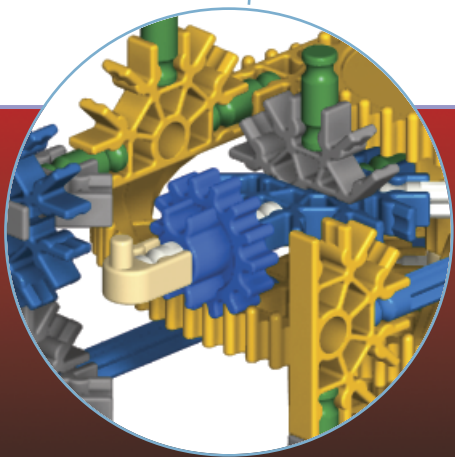
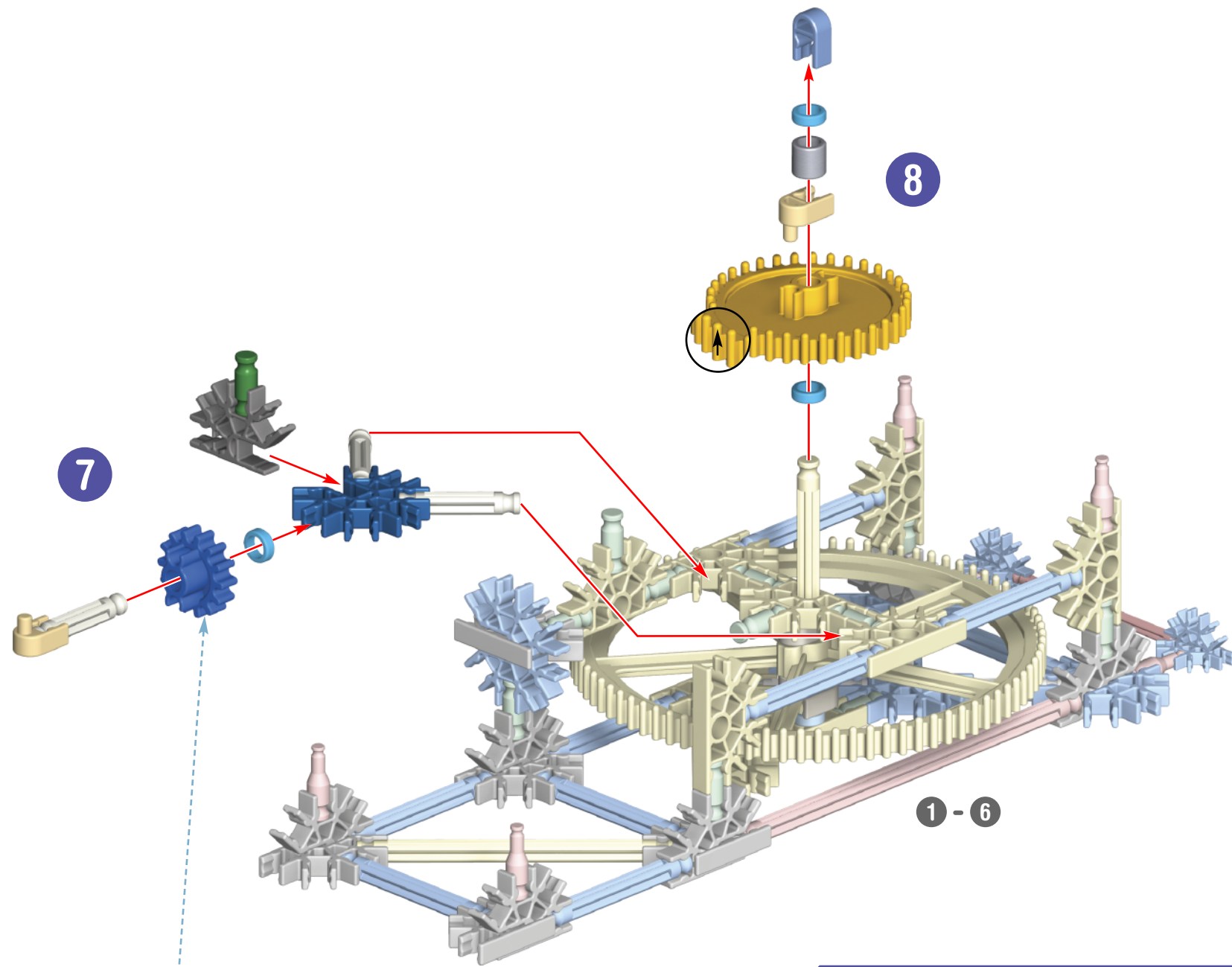
Before you start building, be sure to compare the parts in your set with the parts listed here. If anything is missing, call or write to us using the information on the back cover. We're here to help!

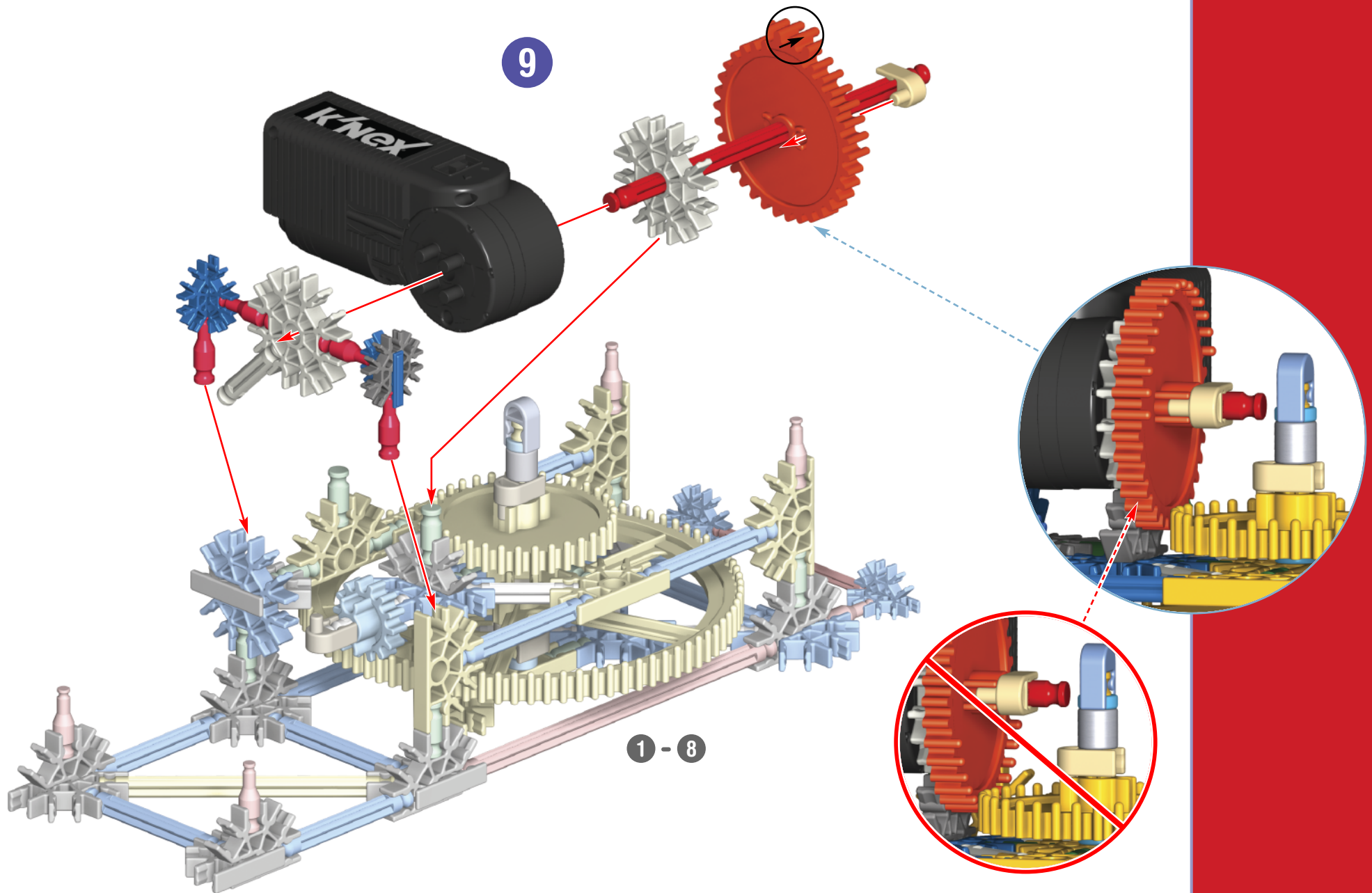


DROP-N-SWING™



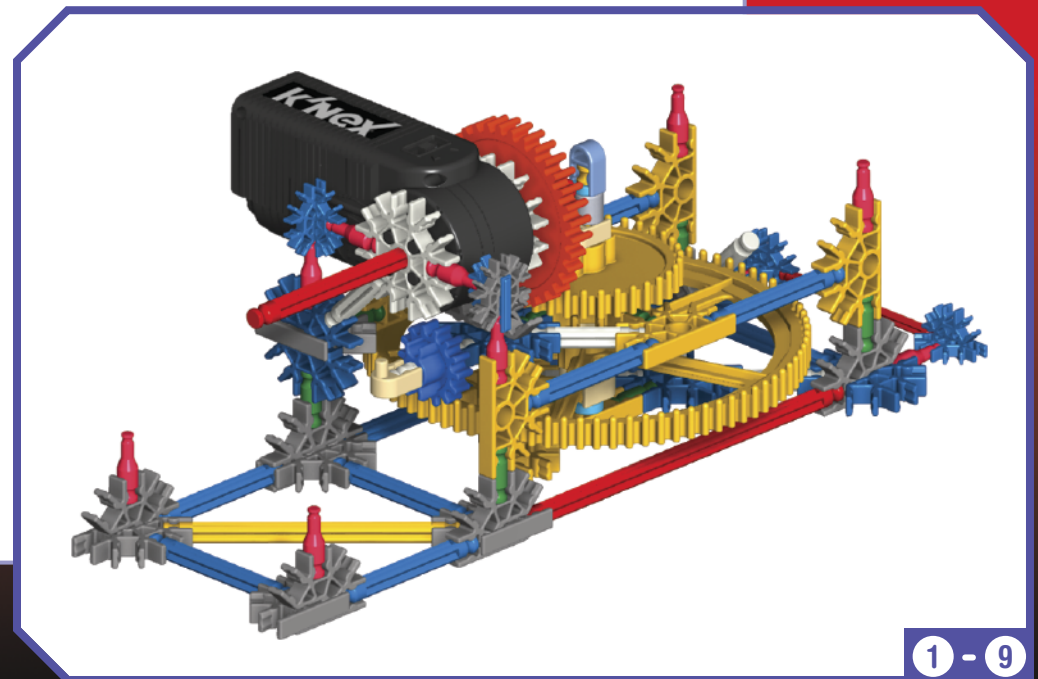


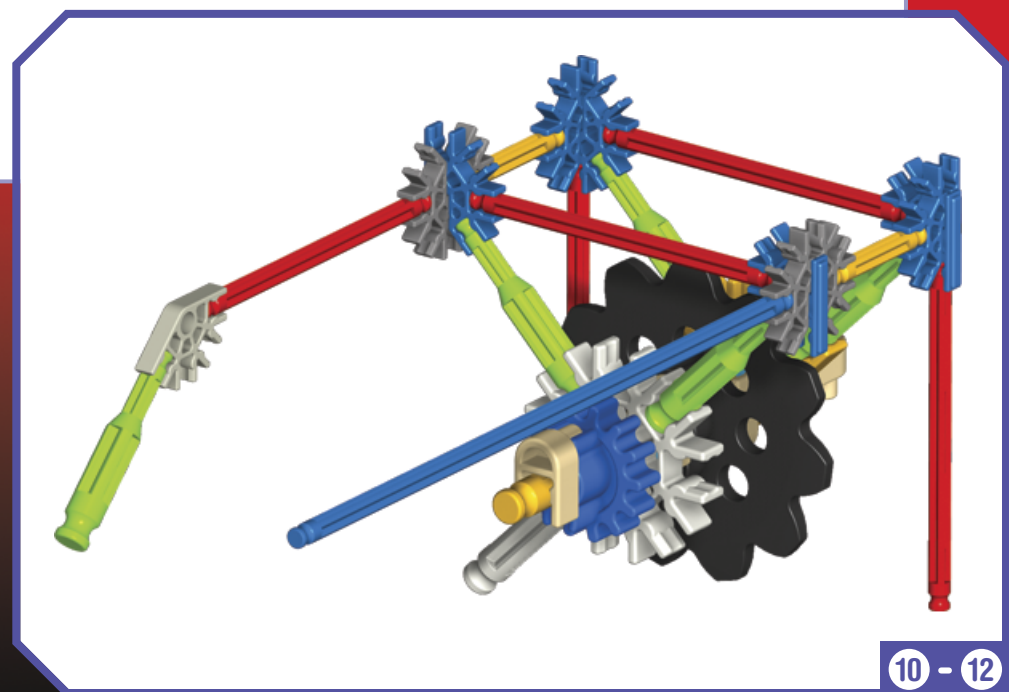
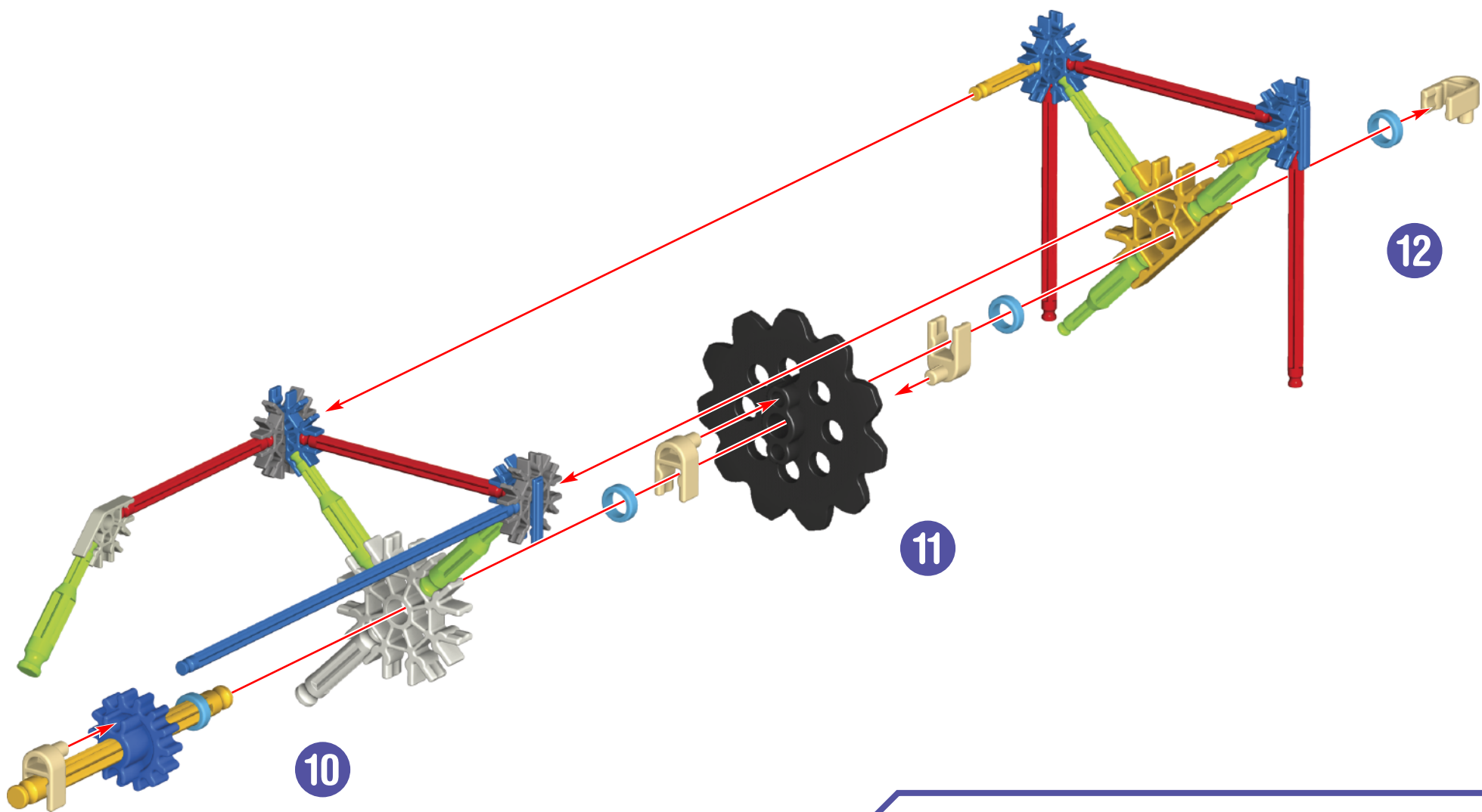


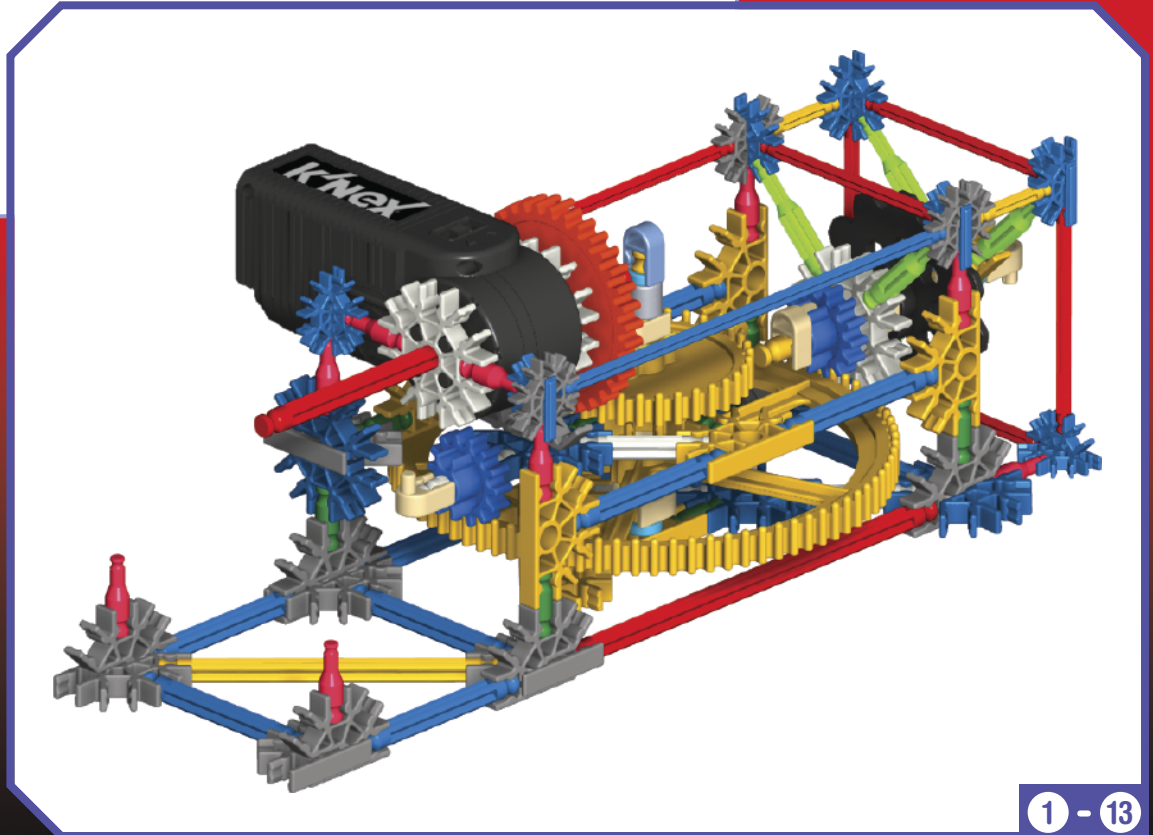
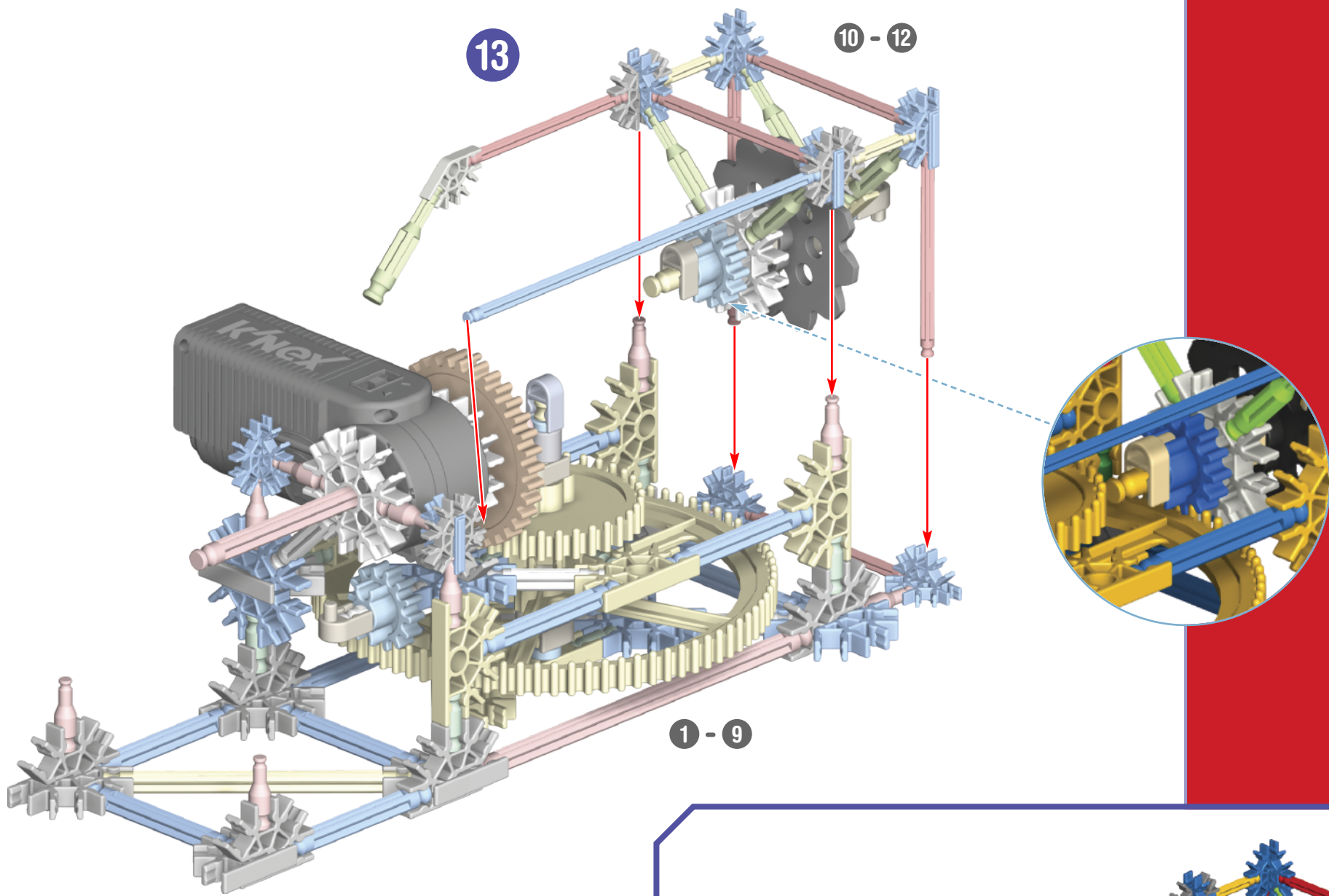


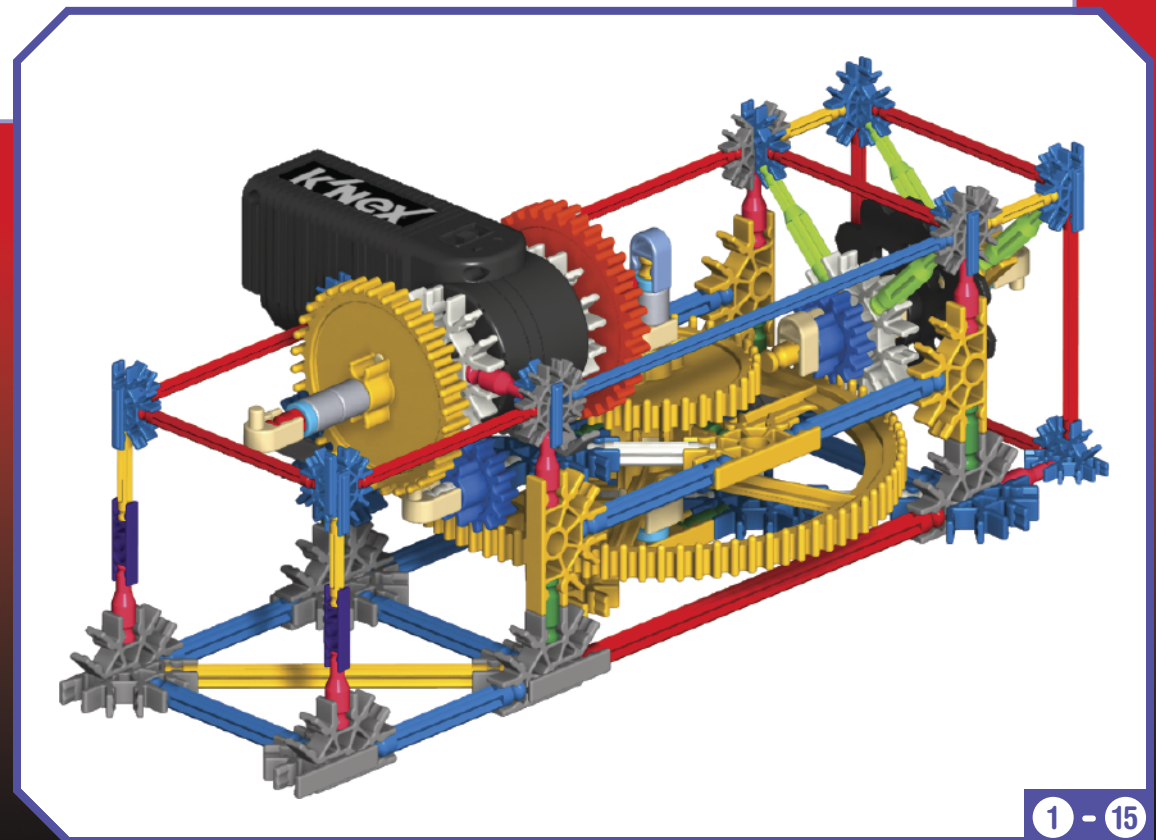
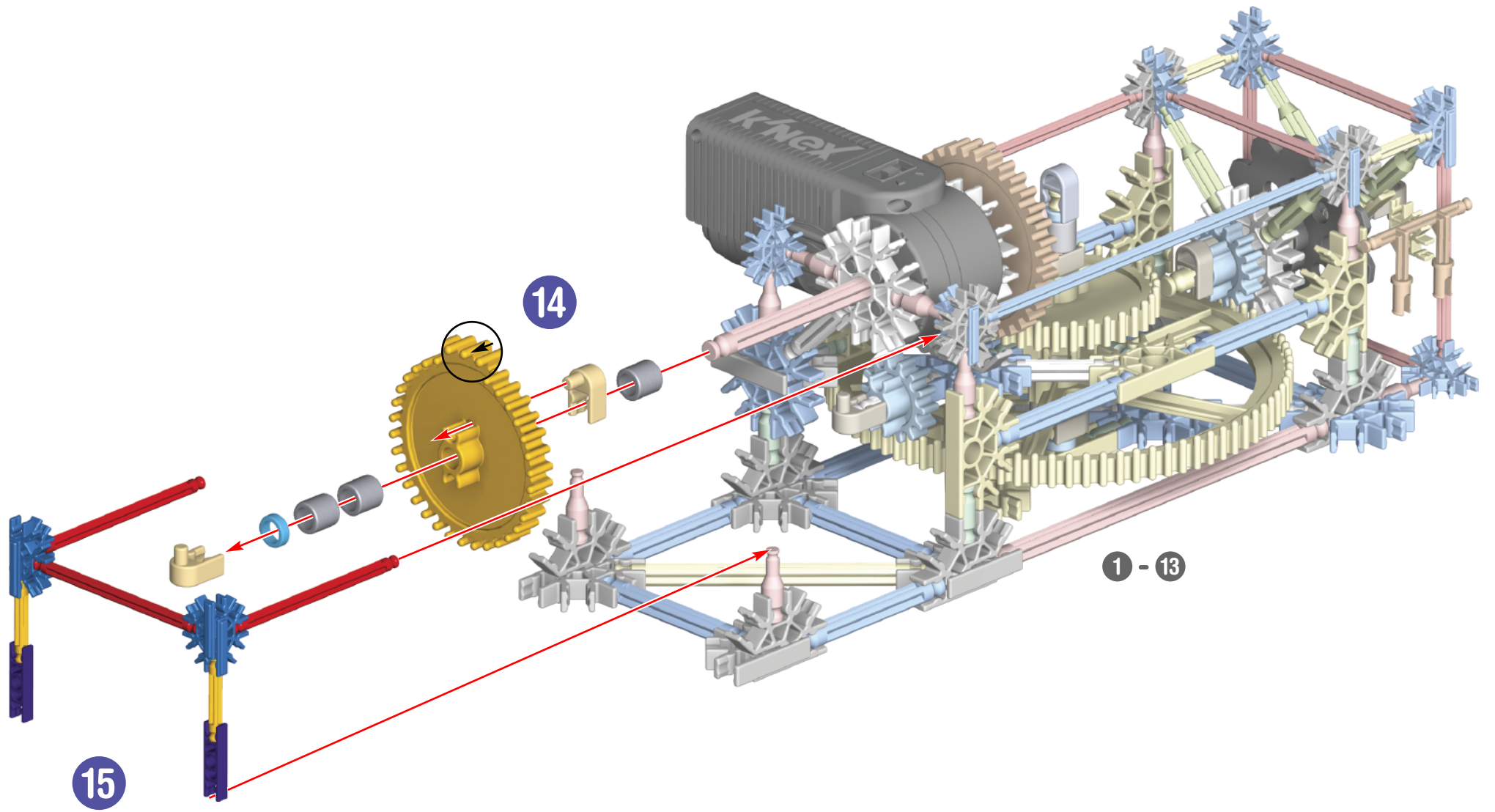
Did you install 2 AA (or LR6) batteries in the Motor?

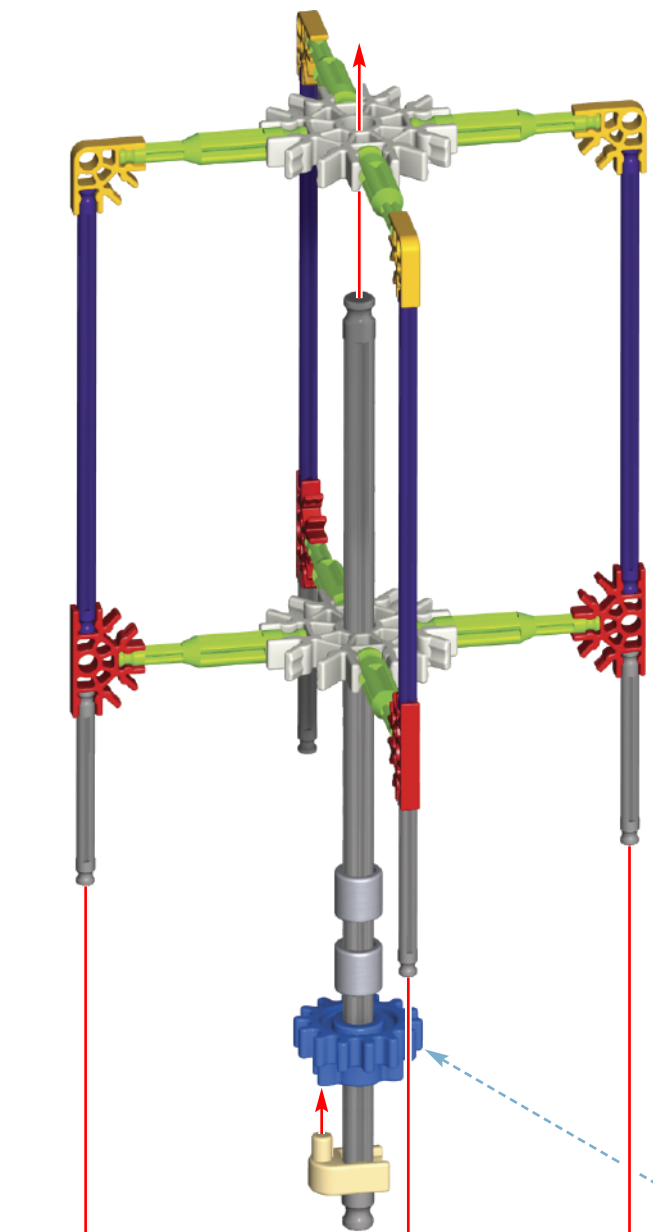
- (FR)** Est-ce que tu as installé 2 piles AA (ou LR6) dans le moteur ?
- (ES)** ¿Instalaste dos pilas AA (o LR6) en el Motor?
- (DE)** Heb je 2 AA (of LR6) batterijen gestoken in de motor?
- (IT)** Hai installato 2 batterie AA (o LR6) nel motore?
- (PT)** Foram instaladas as pilhas 2 AA (ou LR6) no Motor?
- (NL)** Heb je er 2 AA (of LR6) batterijen ingestoken?
- (SV)** Installerade du 2AA (eller LR6) batterier?
- (DA)** Har du sat 2 AA (eller LR6) batterier i?
- (NO)** Har du installert 2AA (eller LR6) batteriene?
- (FI)** Oletko asentanut 2AA (tai LR6) -paristot?



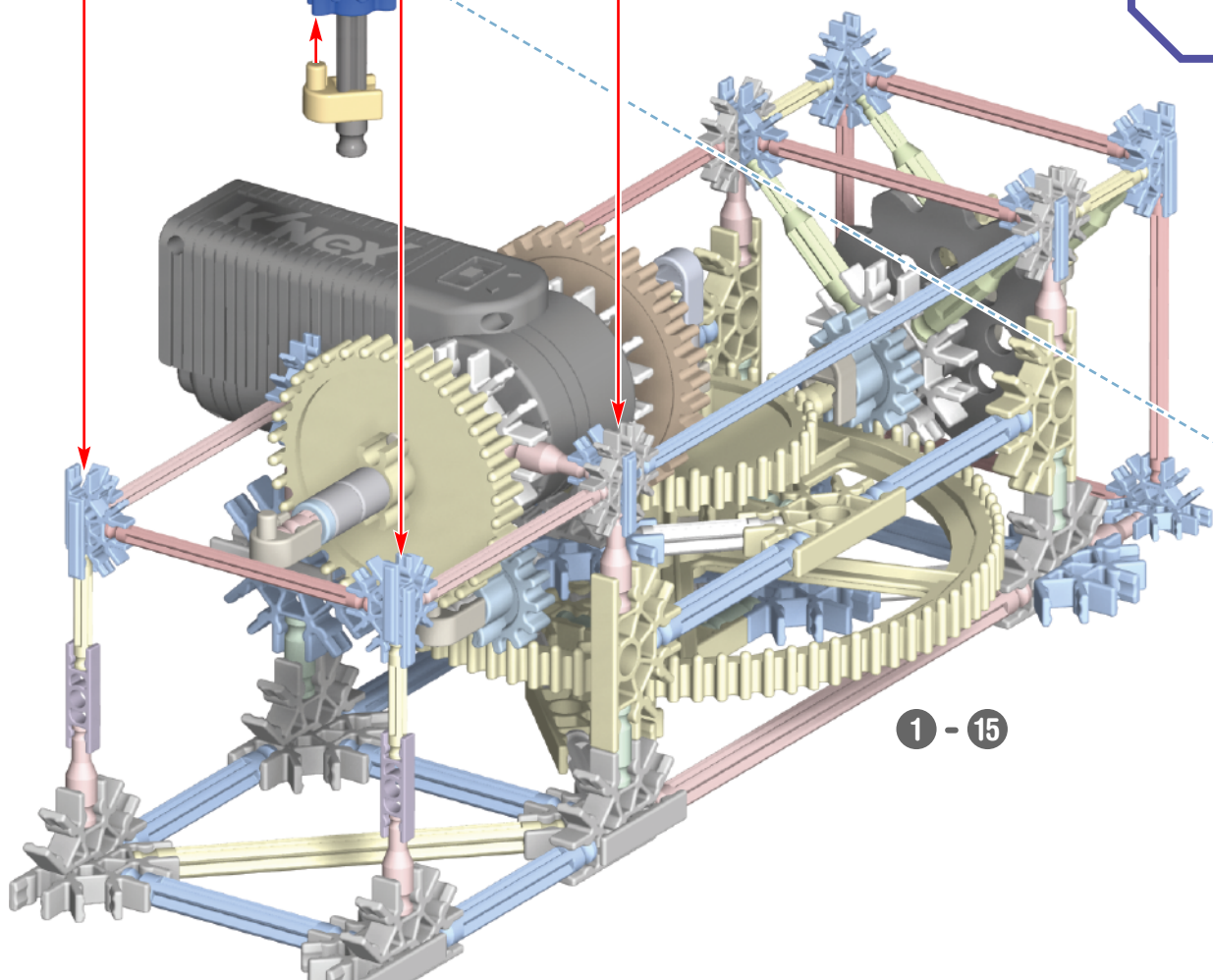




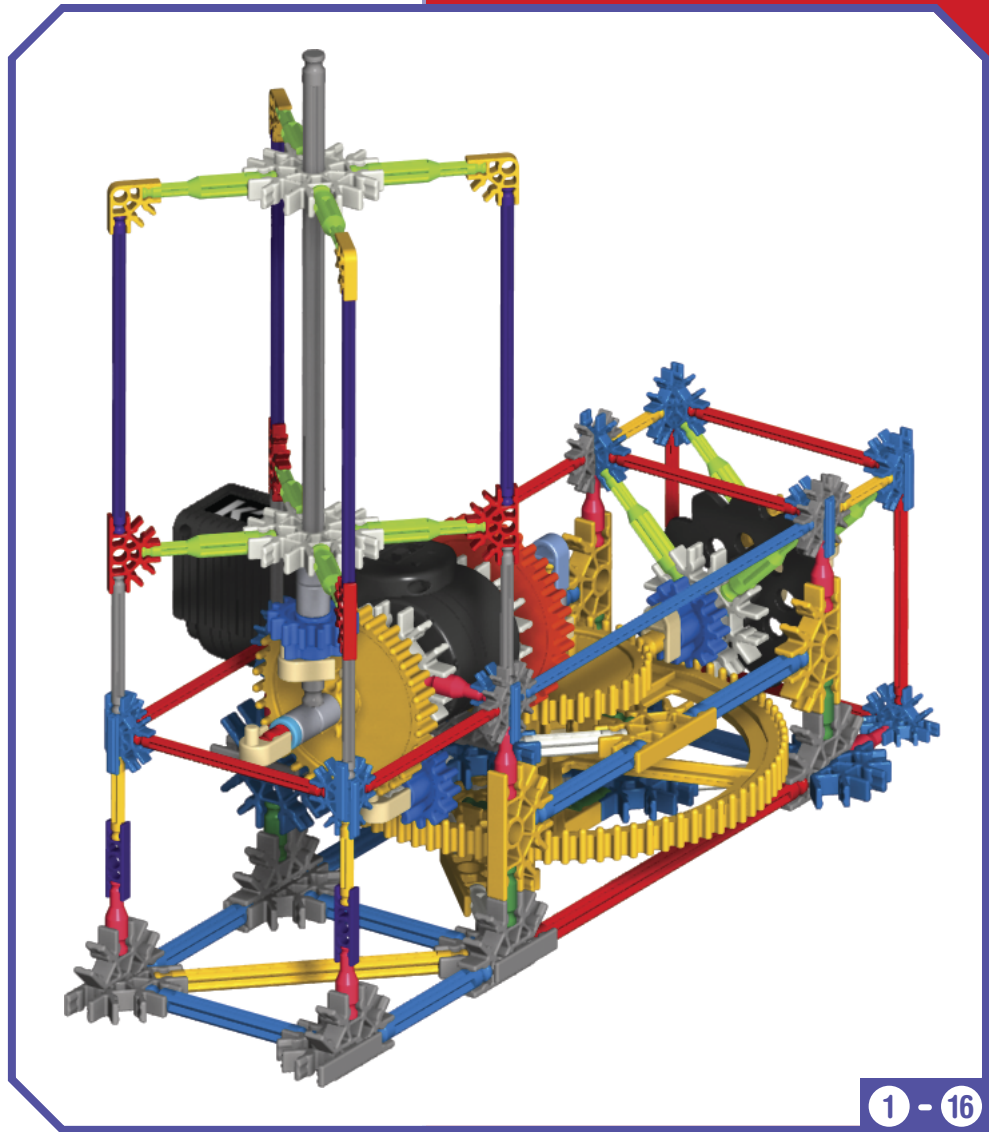




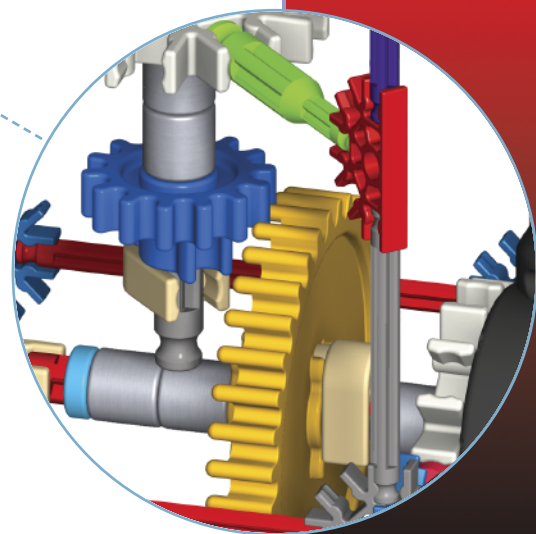
16

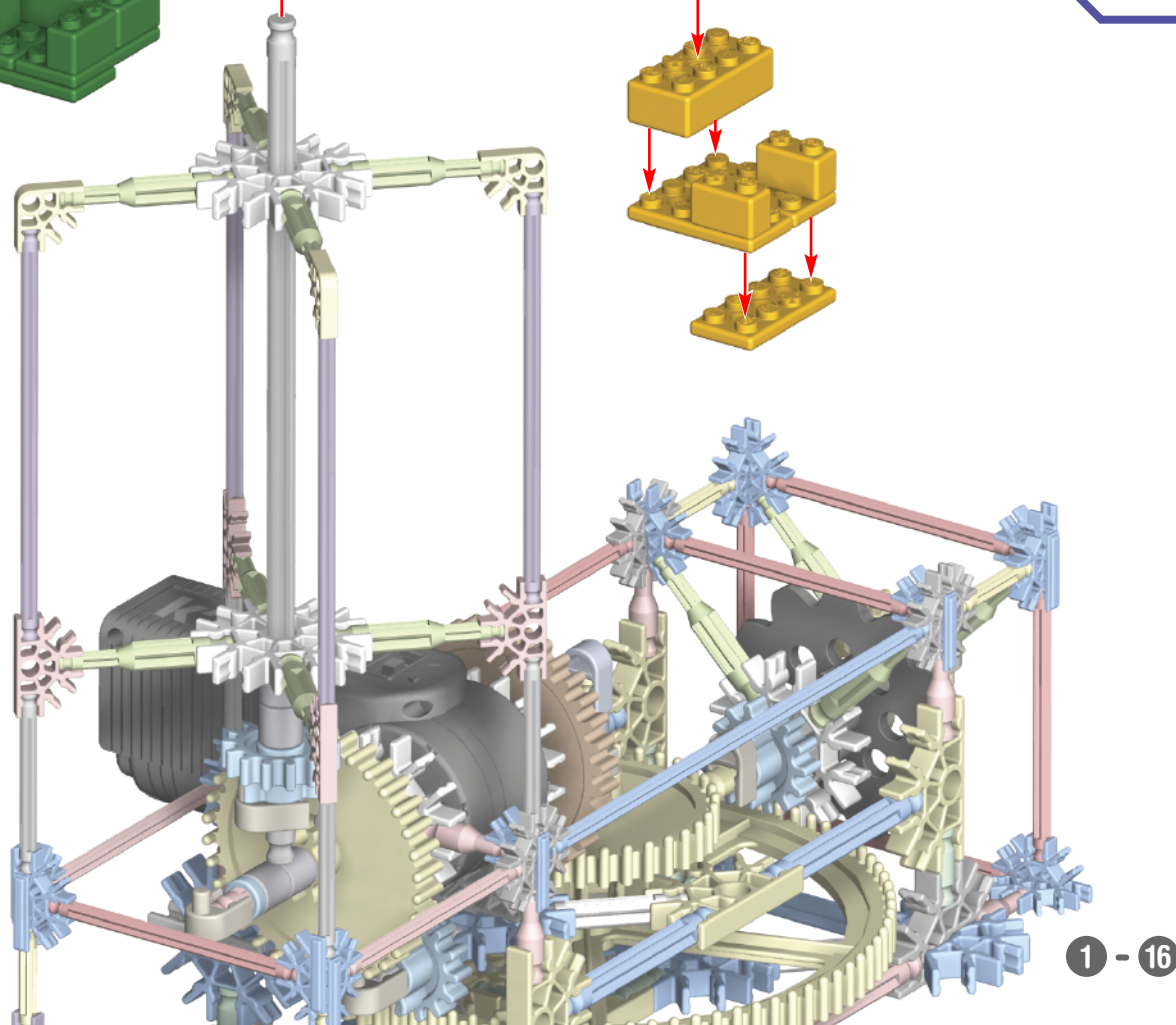
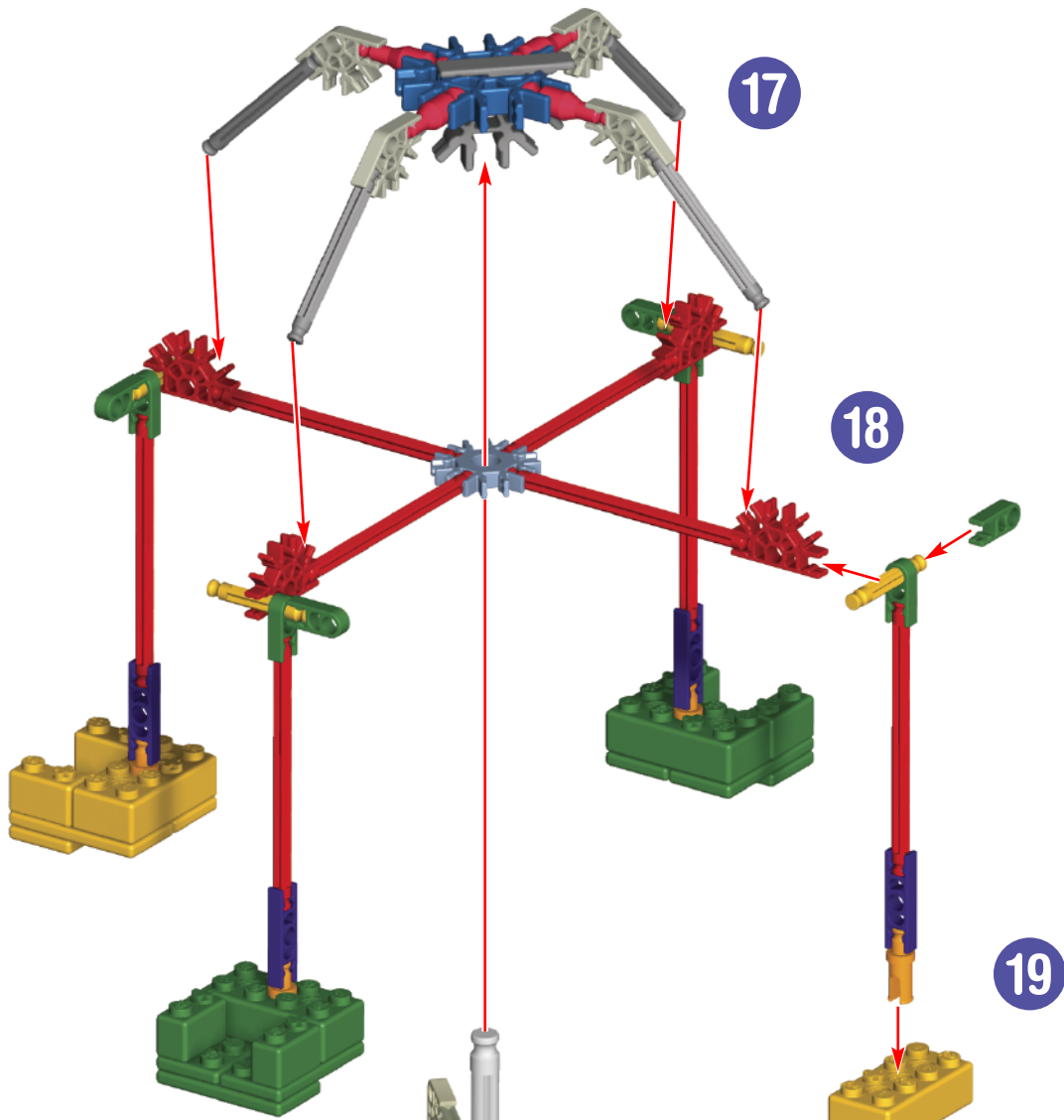


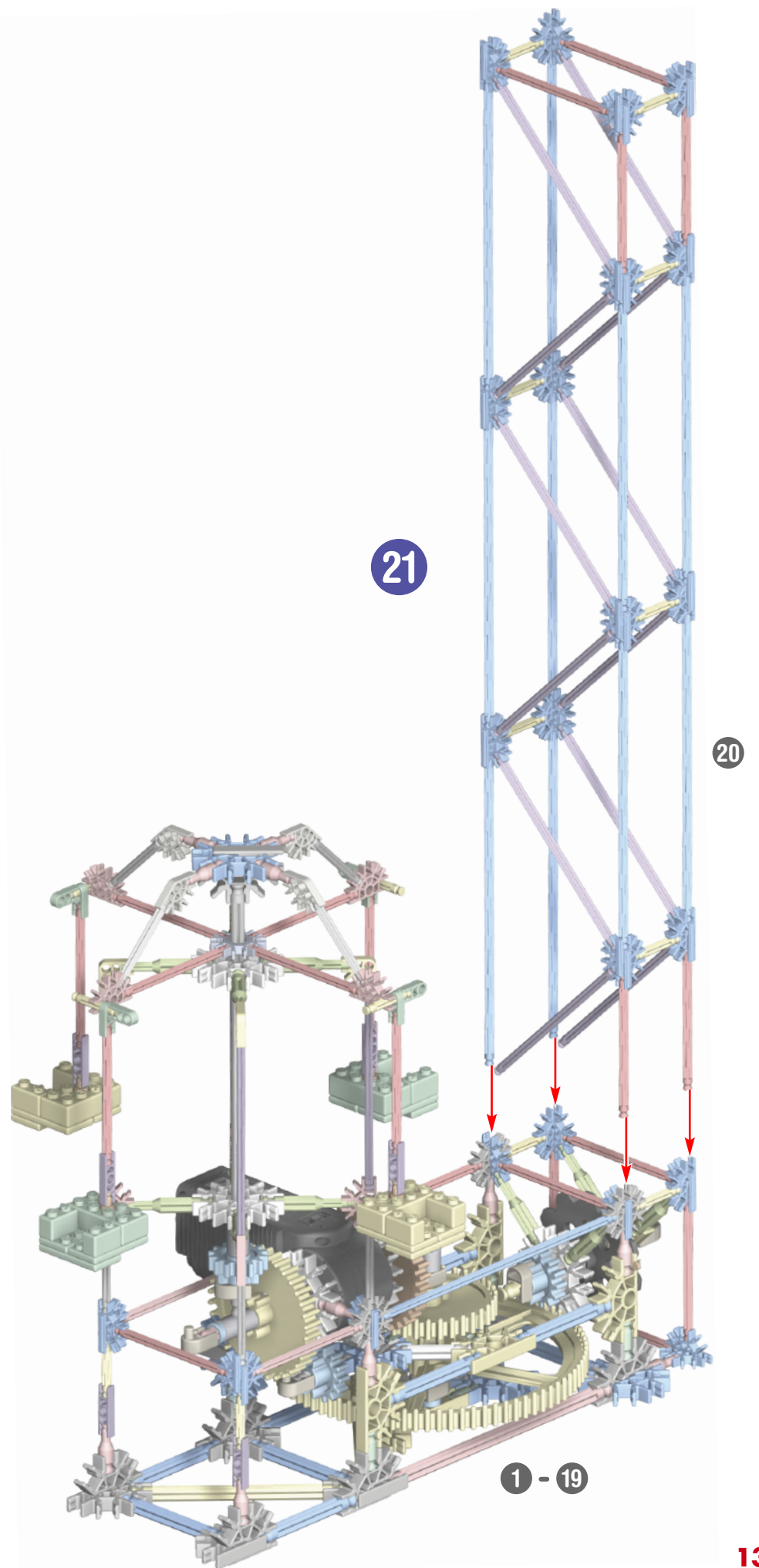
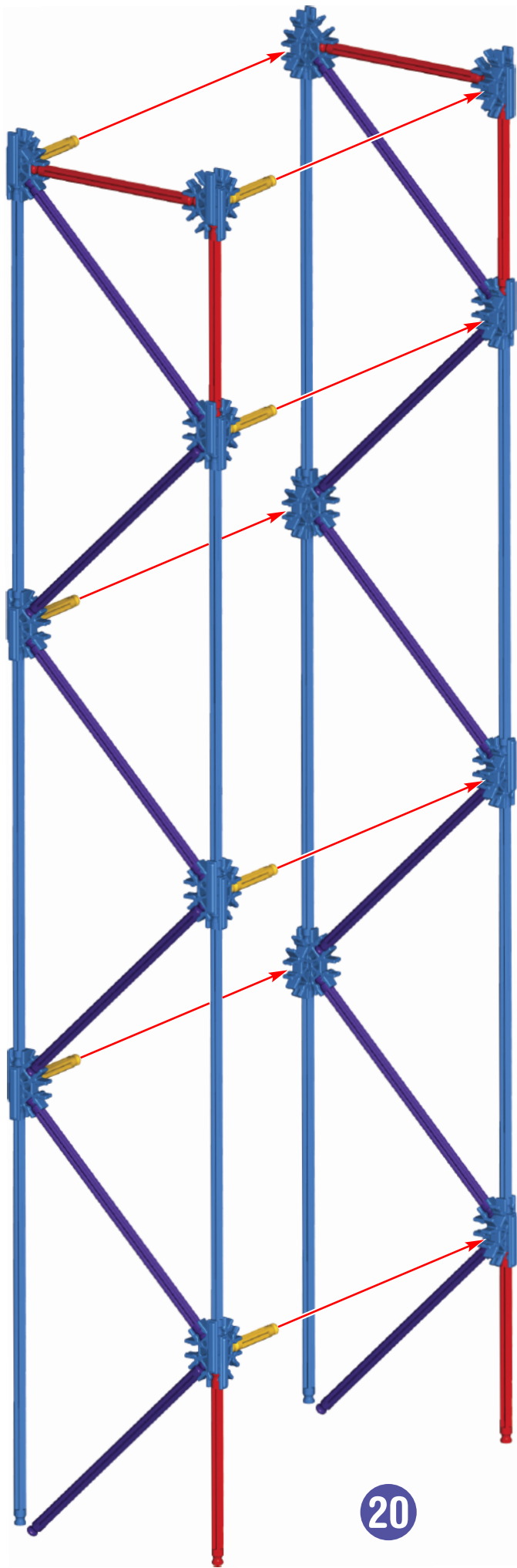
1 - 15



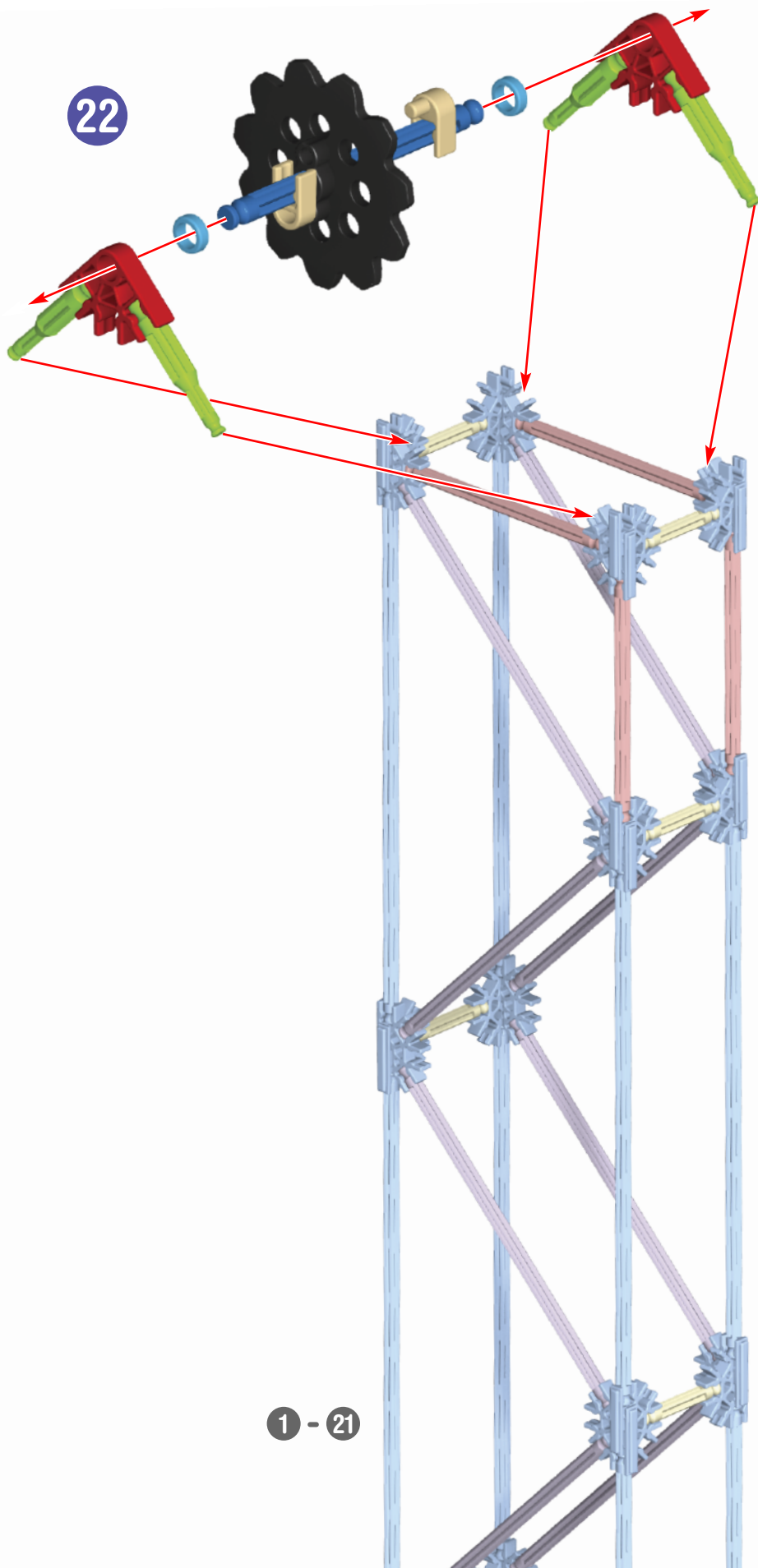
1 - 16







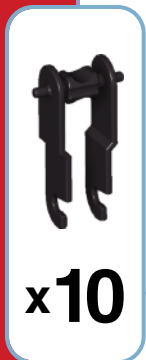
22



1 - 21



1 - 22

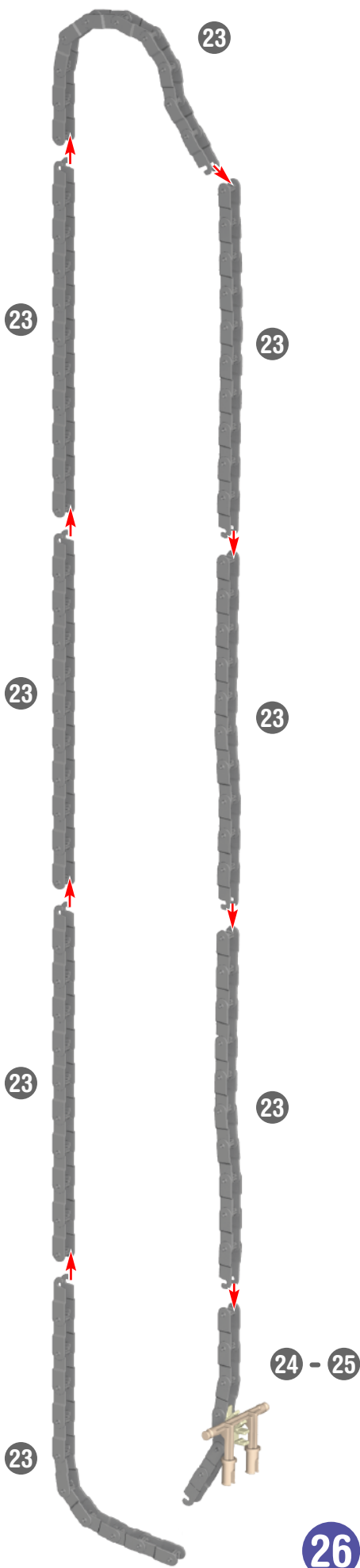


x10



23

x8



26



IMPORTANT: Attach all the Chain Links in the same direction.

(FR) IMPORTANT : Attache les chaînons dans le même sens.

(ES) IMPORTANTE: Conecta los Eslabones de la Cadena en la misma dirección.

(DE) WICHTIG: Befestige die Kettenglieder immer in die gleiche Richtung.

(IT) IMPORTANTE: Collegare le maglie della catena nella stessa direzione.

(PT) IMPORTANTE: Prende os Elos da Corrente seguindo a mesma direção.

(NL) BELANGRIJK: Maak de ketenschakels vast in dezelfde richting.

(SV) VIKTIGT: Fäst alla kedjelänkar i samma riktning.

(DA) VIGTIGT: Sæt alle kædens led på i samme retning.

(NO) VIKTIG: Fest alle kjedeledene i same retning.

(FI) TÄRKEÄÄ: Kiinnitä kaikki ketjulenkit samaan suuntaan.



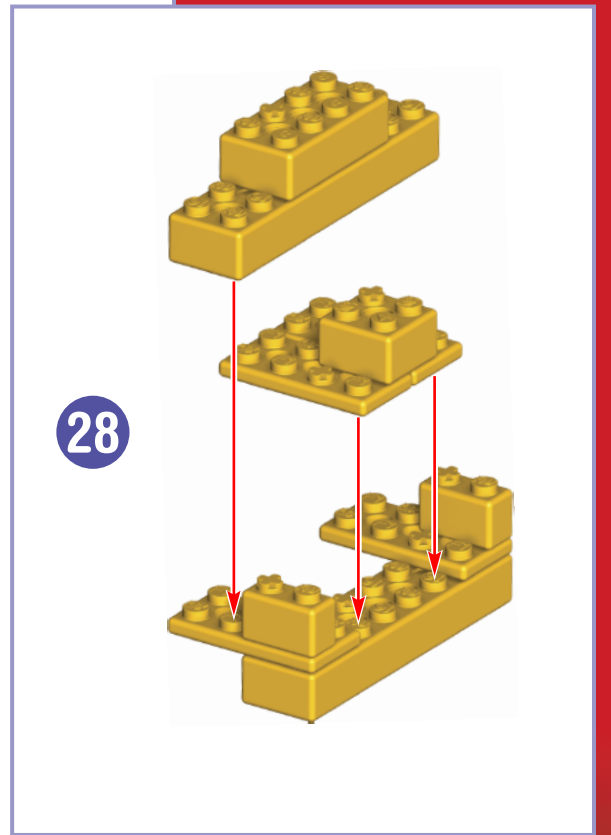
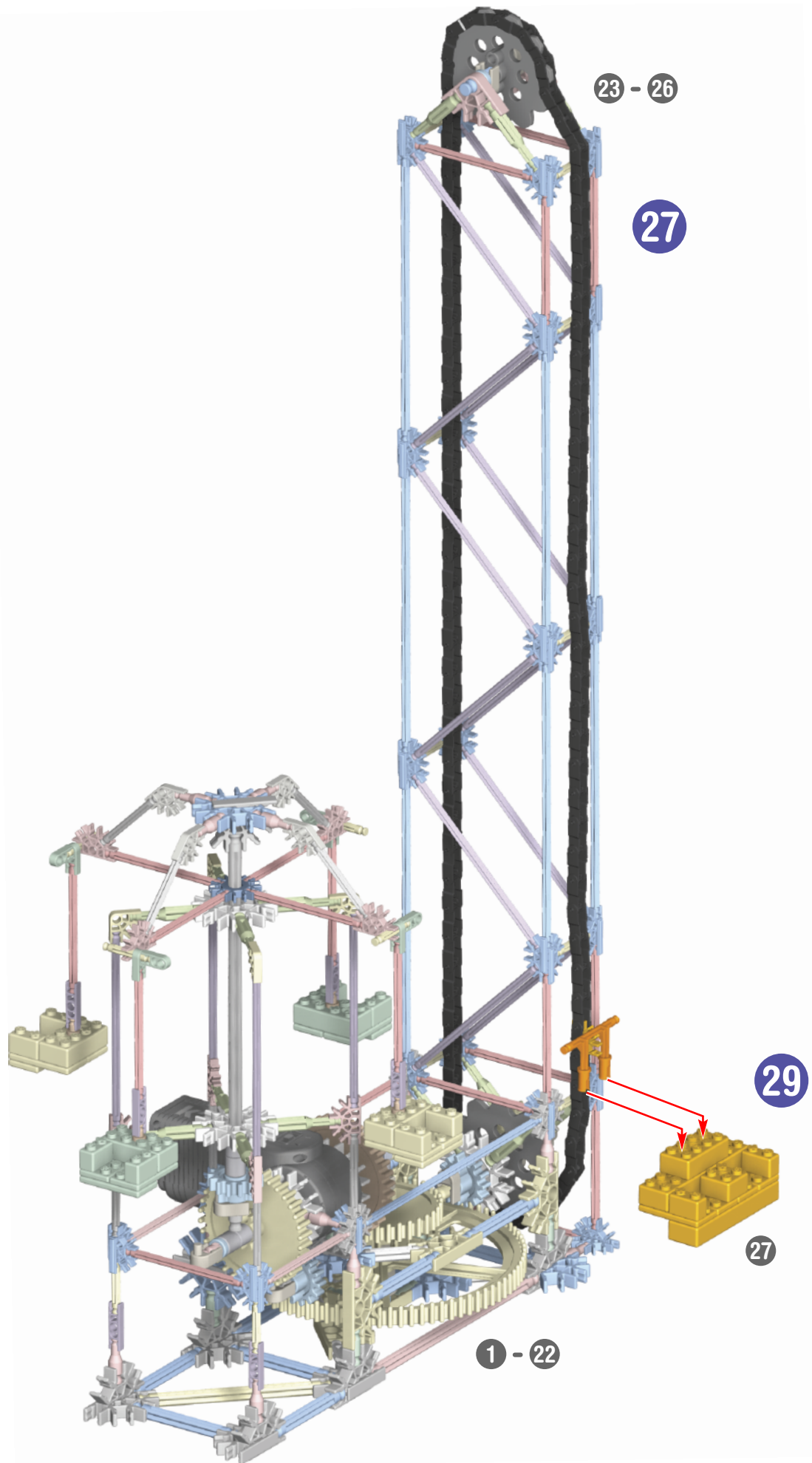
x6



24

25





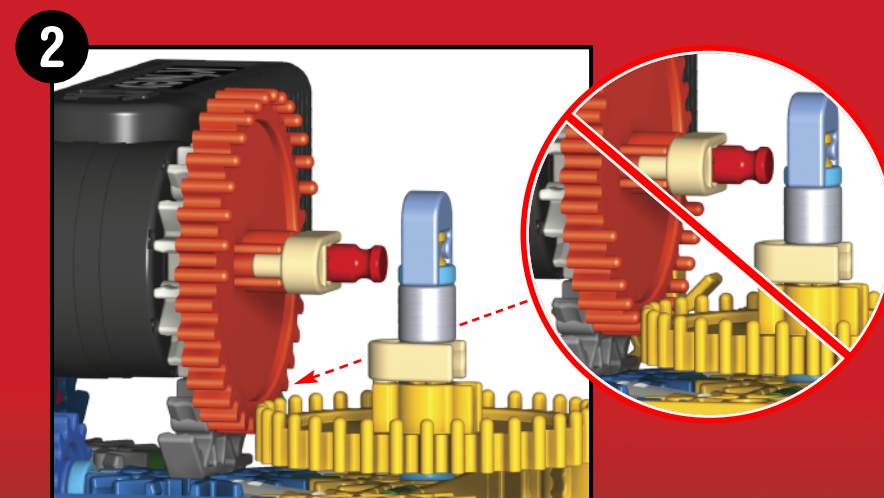
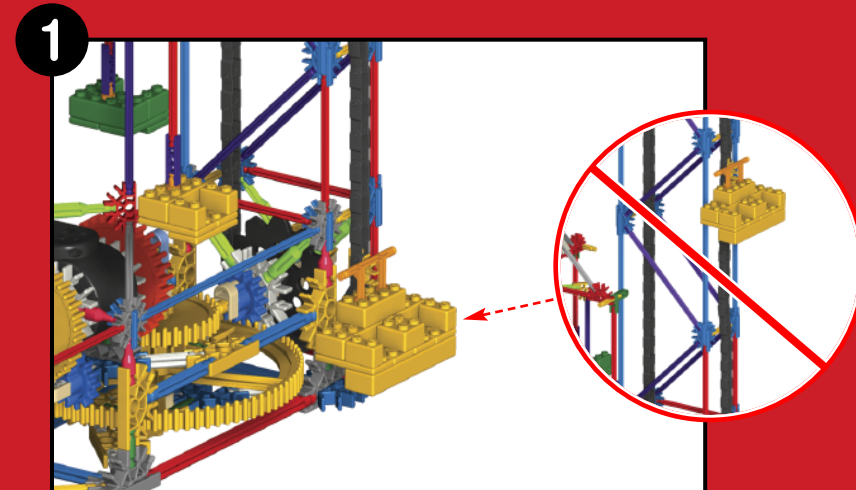
DROP -N- SWING™



1 - 29

Follow these steps to start your model.

- (FR) Avant de mettre en marche le moteur.
- (ES) Antes de empezar el motor.
- (DE) Vor Anfahrenmotor.
- (IT) Prima del motore di cominciare.
- (PT) Antes de começar motor.
- (NL) Voor het beginnen van motor.
- (SV) För motorisk start.
- (DA) Begyndelse elektromotor.
- (NO) Før startingsmotor.
- (FI) Alkaa sähkömoottori.



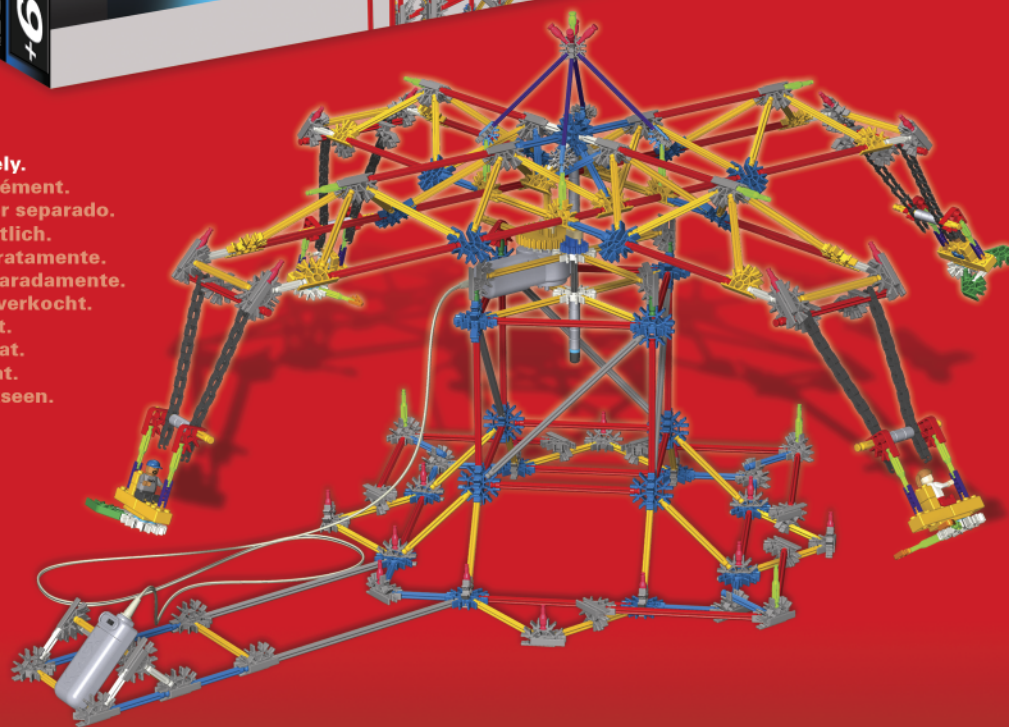
KNEX.COM



Look For These
Other Great
K'NEX Building Sets!



Sold separately.
Vendus séparément.
Se venden por separado.
Separat erhältlich.
Venduti separatamente.
Vendidos separatamente.
Afzonderlijk verkocht.
Säljes separat.
Sælges separat.
Selges separat.
Myydään erikseen.



Product and colors may vary. Models can be built one at a time. Le produit et les couleurs peuvent varier. La plupart des modèles ne peuvent être construits que un à un. El producto y los colores podrán variar. La mayoría de los modelos se puede construir uno a la vez.

Conforms to the Requirements of ASTM Standard Consumer Safety Specification on Toy Safety, F963-03. Conforme aux spécifications de sécurité du consommateur sur la sécurité des jouets de la norme ASTM F963-03. Cumple con los requisitos de la Norma F963-03. [Especificación para consumidores sobre la seguridad de juguetes], de la ASTM.

Manufactured under U.S. Patents/
Fabriqué sous brevets américains/
Fabricado bajo patentes de EE.UU.
5,061,219; 5,199,919; 5,350,331;
5,137,486.

Other U.S. and foreign patents
pending. Autres brevets américains
et étrangers en instance.
Otras patentes de EE.UU. y países
extranjeros pendientes.

- Identifies Genuine K'NEX Bricks.
- Identifie que ce sont d'authentiques briques K'NEX.
- Identifica los ladrillos genuinos de K'NEX.
- Identifiziert echte K'NEX-Bausteine.
- Edentifica i veri blocchi K'NEX.
- Identifica que são cubos genuínos da K'NEX.
- Identificeert K'NEX bakstenen voor.
- Anger äkta K'NEX klossar.
- Identifierer ægte K'NEX brikker.
- Identifierer ekte K'NEX-murstein.
- Osoittaa aitoja K'NEX paloja.



US 1-800-KID-KNEX USA/Canada only (English only)

**GB 00800-22427276 UK/Ireland only
Customer Service outside the USA, CAN, GBR
please contact local distributor.
Distributor information can be found at:
<http://www.knex.com/contact/international.php>**



**US Consumer Services
K'NEX Limited
Partnership Group
P.O. Box 700
Hatfield, PA 19440-0700**

**GB K'NEX
Newport Consumer Services
Hasbro UK Ltd.,
Caswell Way
Newport, Gwent NP9 0YH**



email@knex.com



©2008 K'NEX Limited
Partnership Group
P.O. Box 700
Hatfield, PA 19440-0700
408445.11-V2-3/08