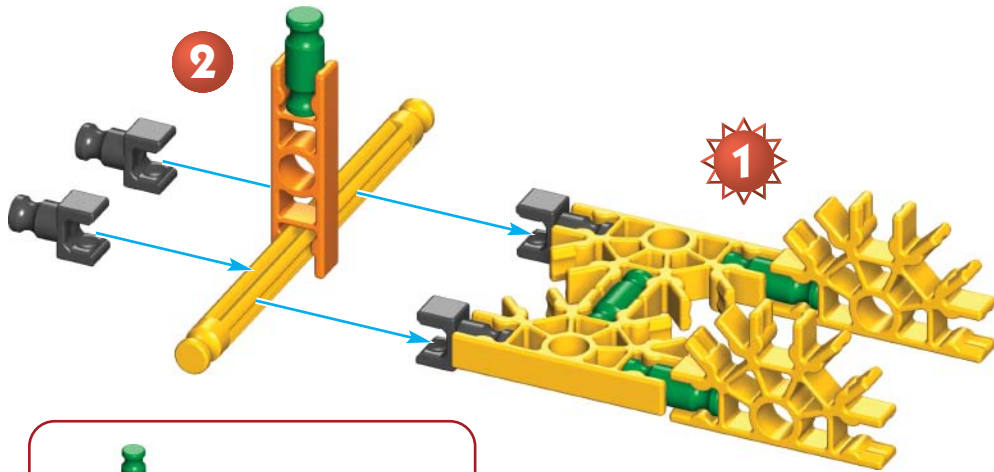




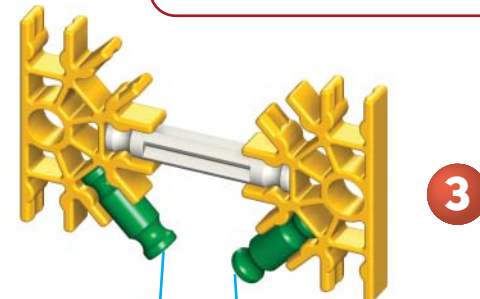
Flatbed Truck



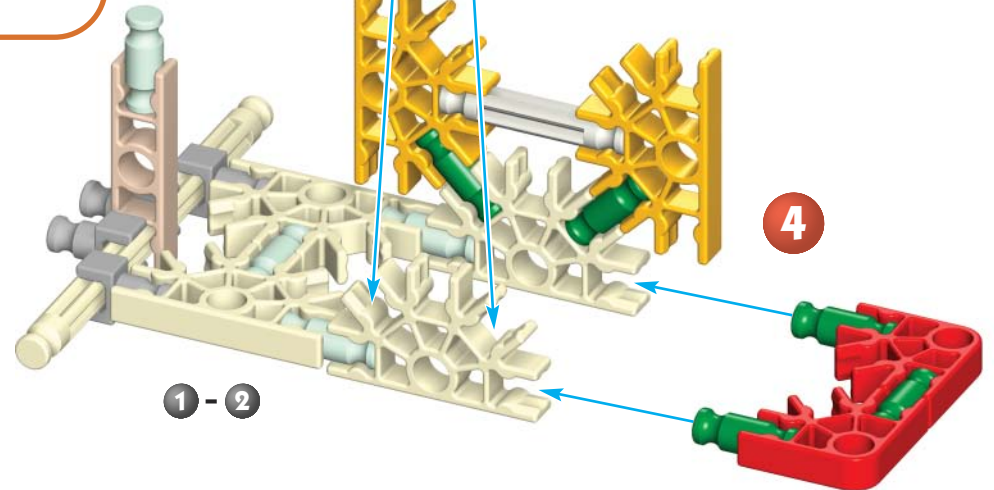
1 - 2



1 - 4

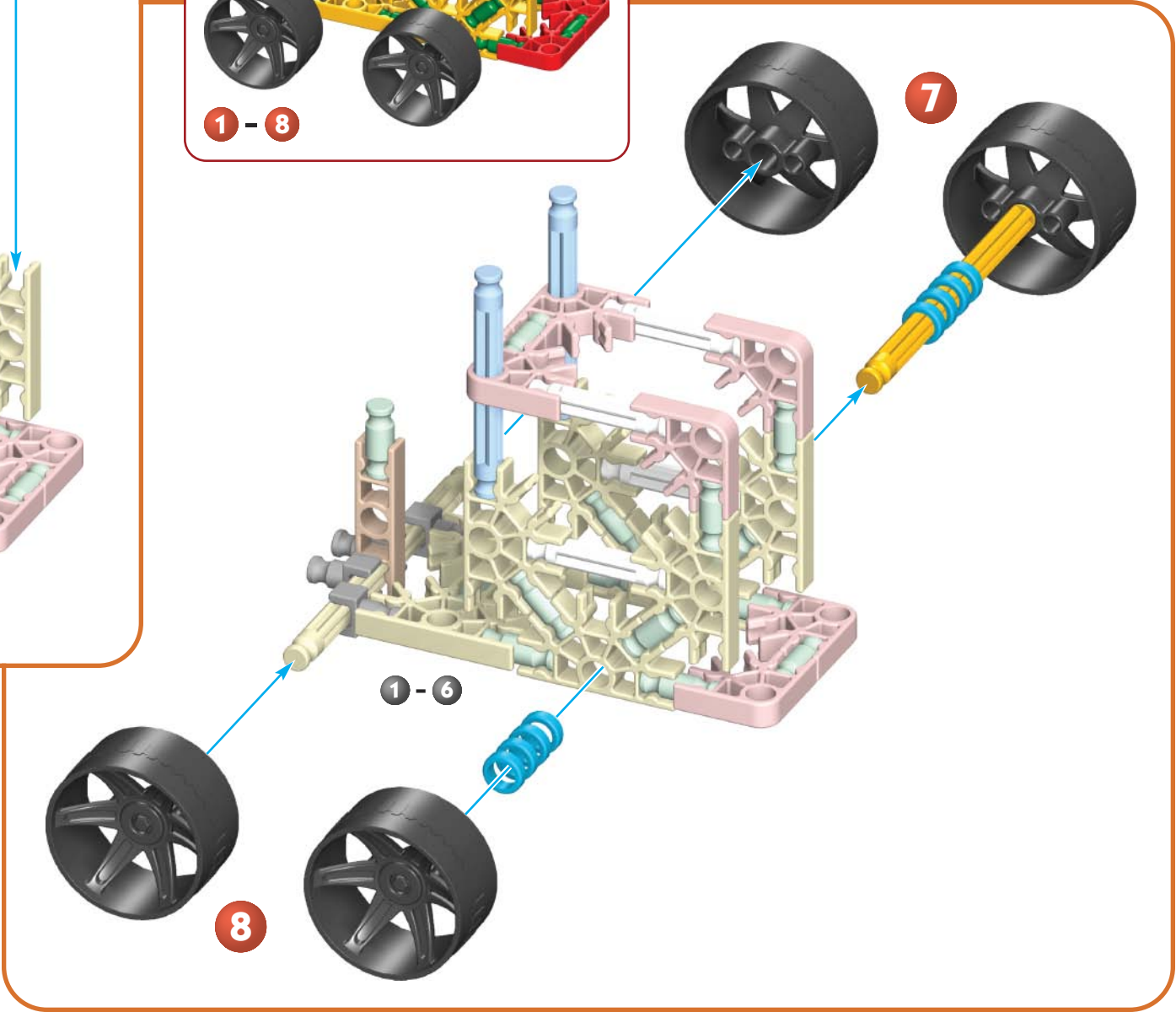
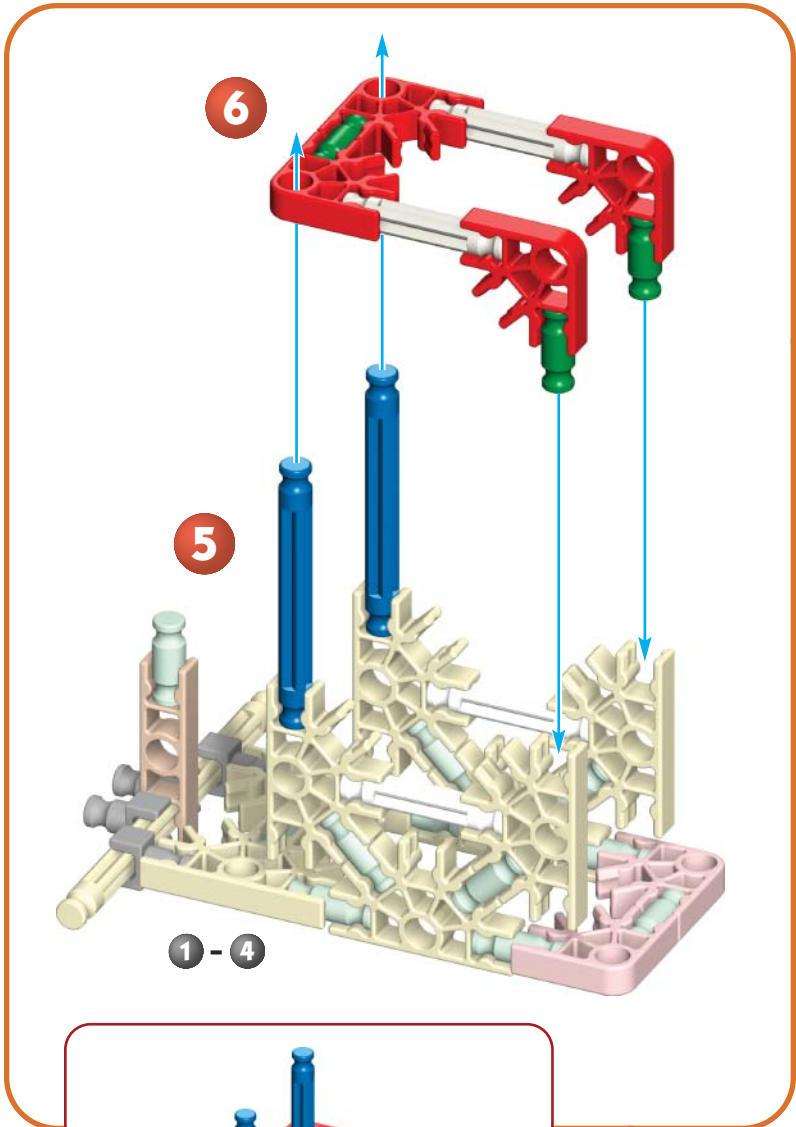


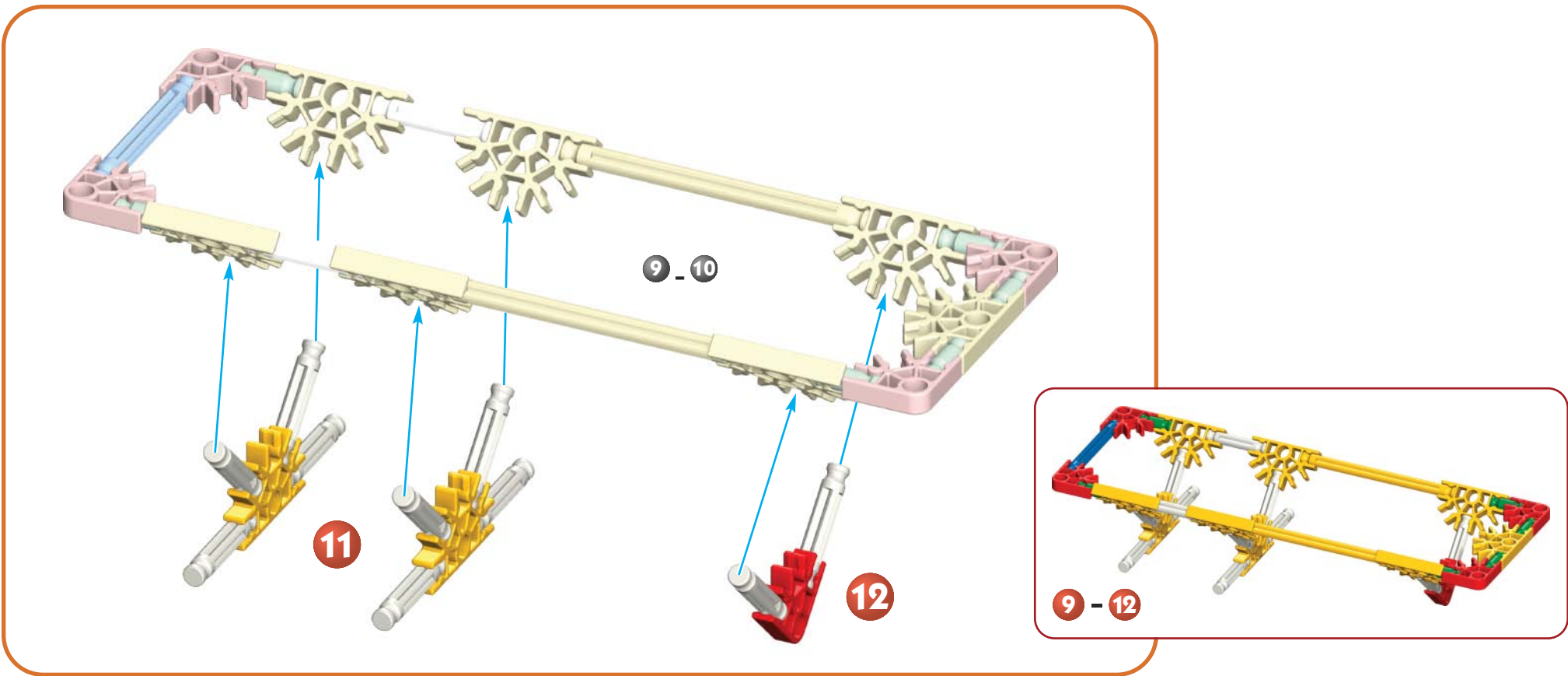
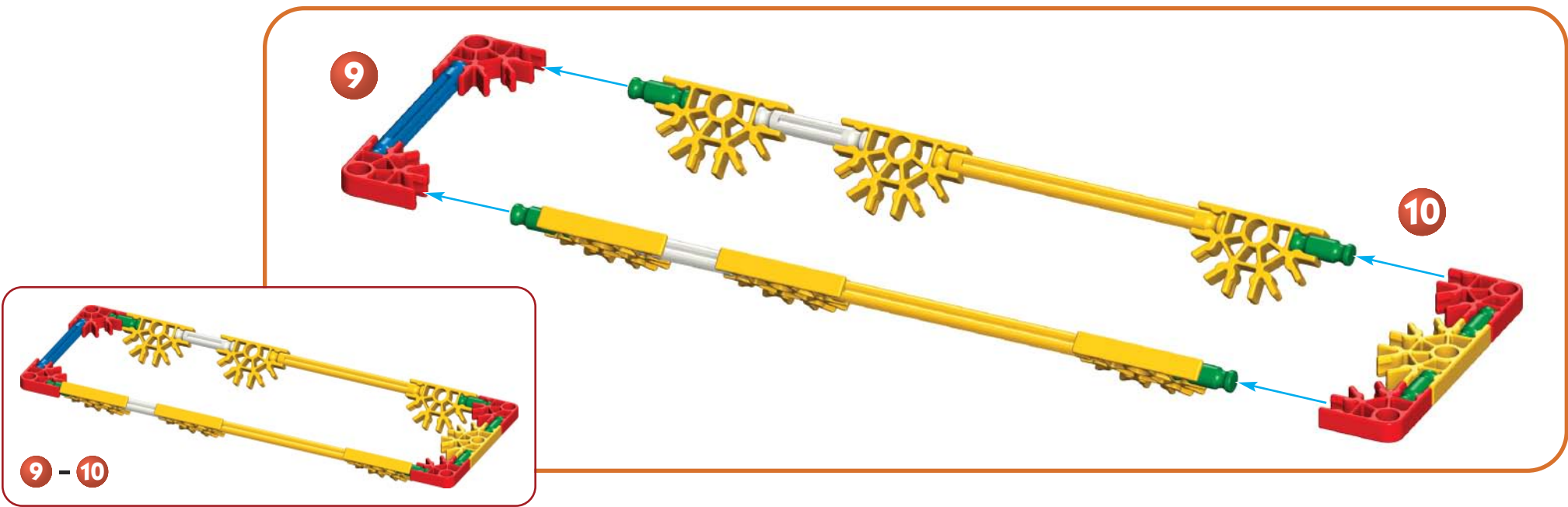
3

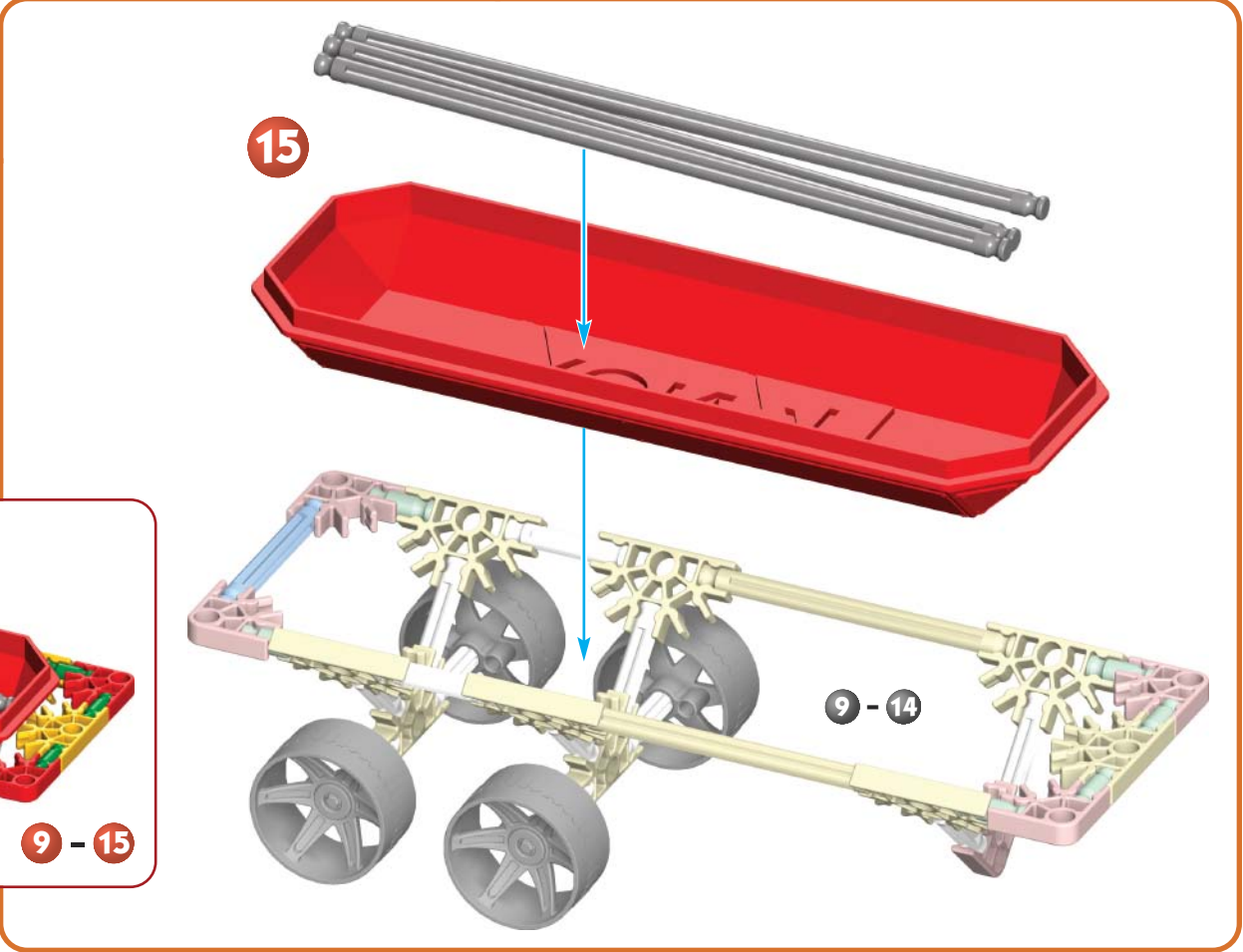
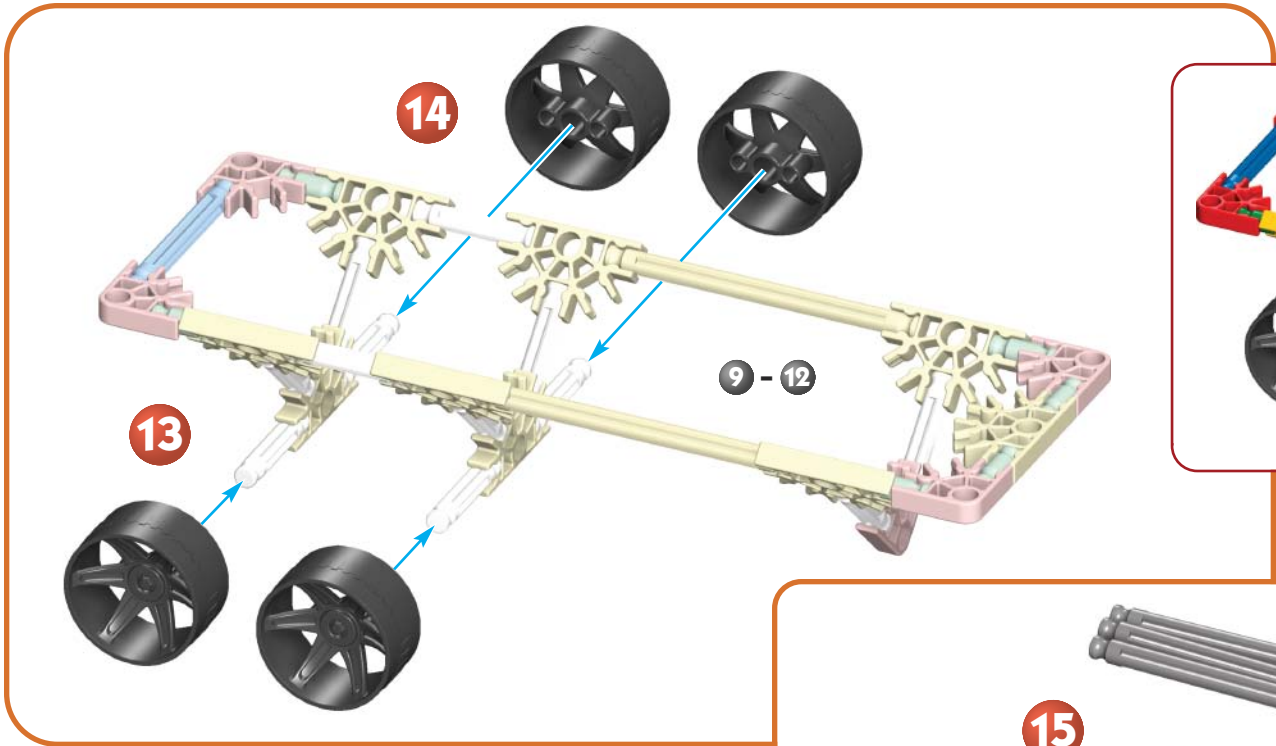


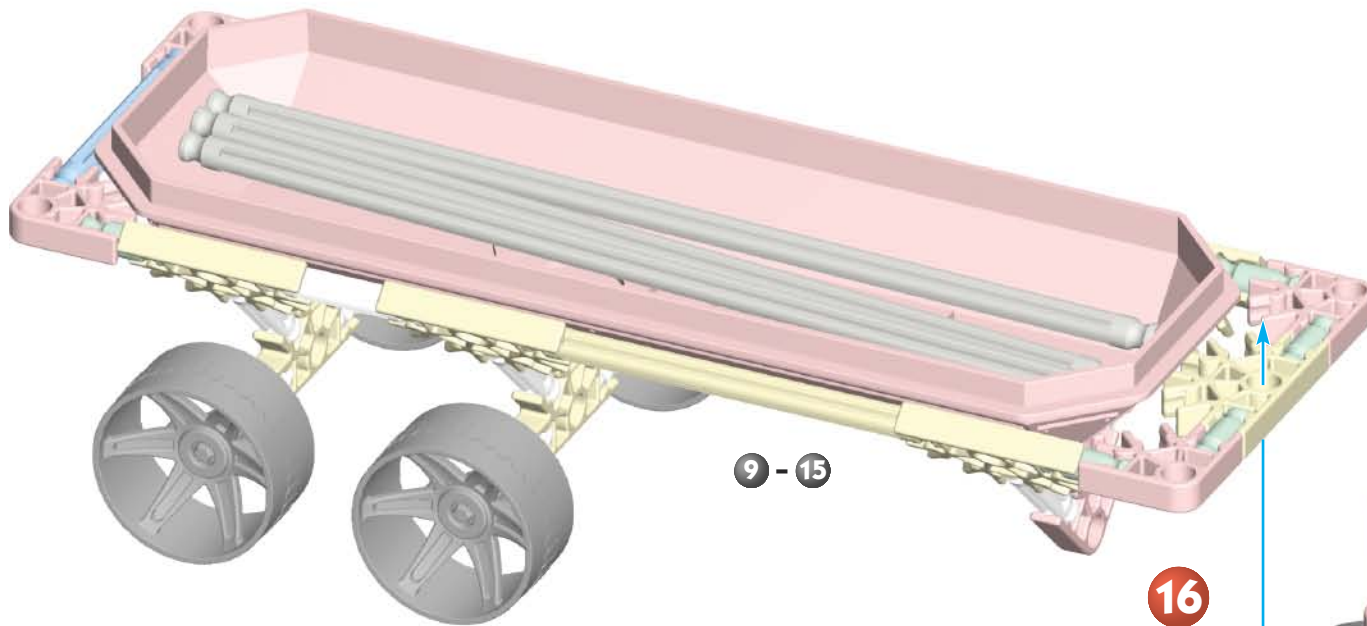
4

1 - 2

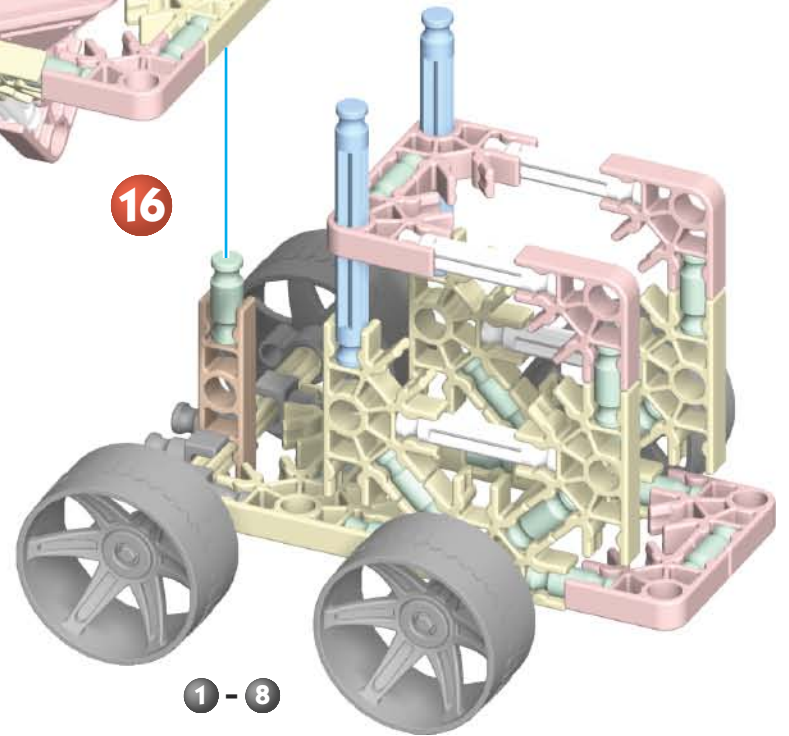








9 - 15



16

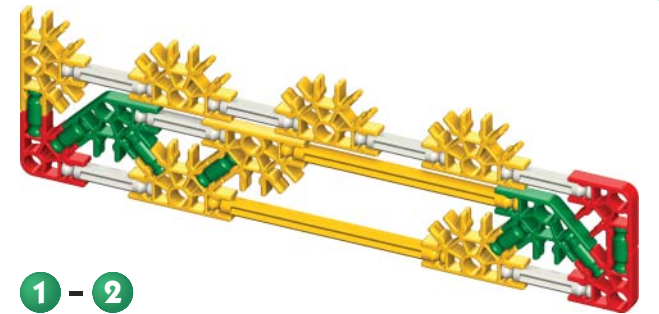
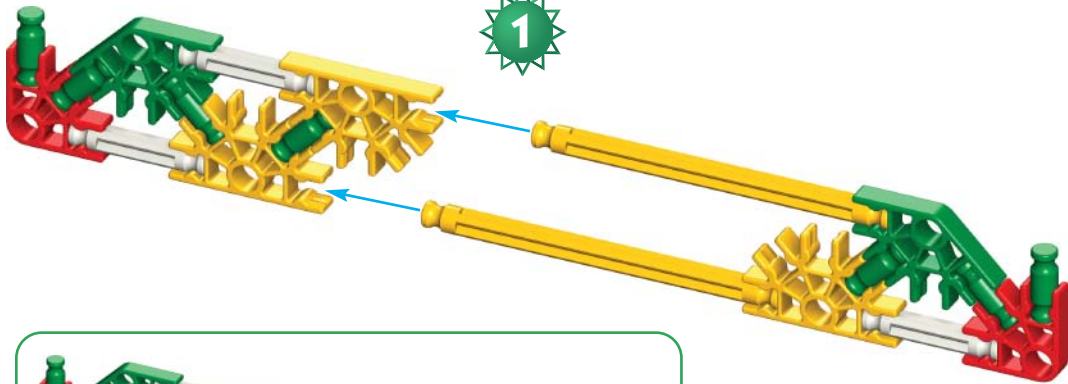
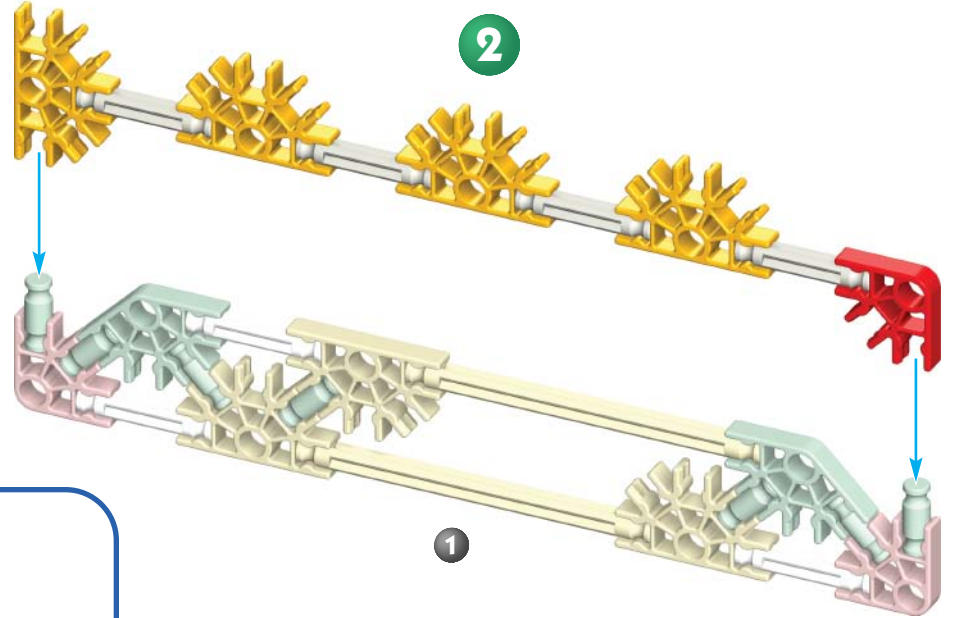
1 - 8

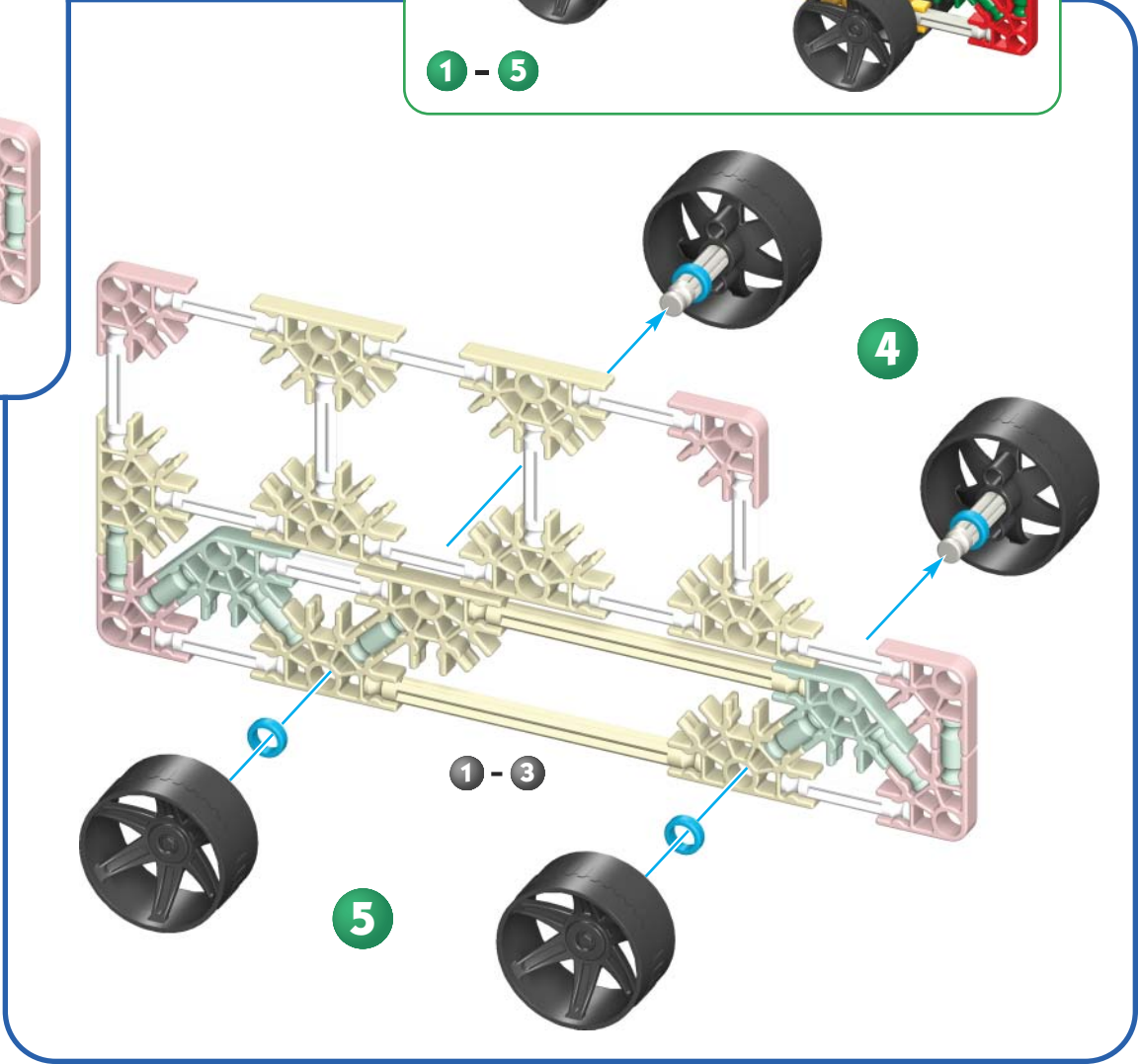
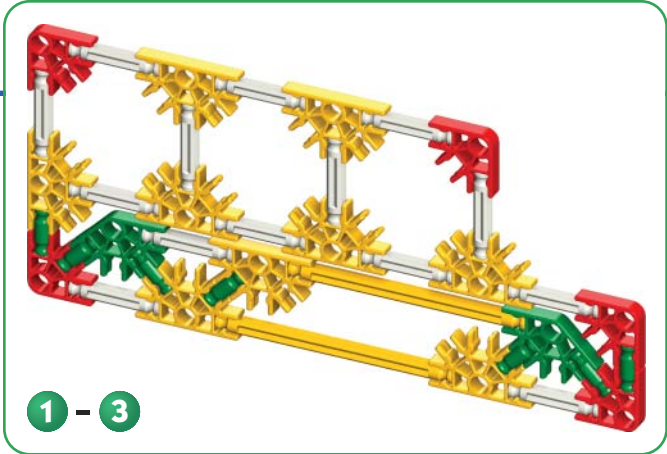
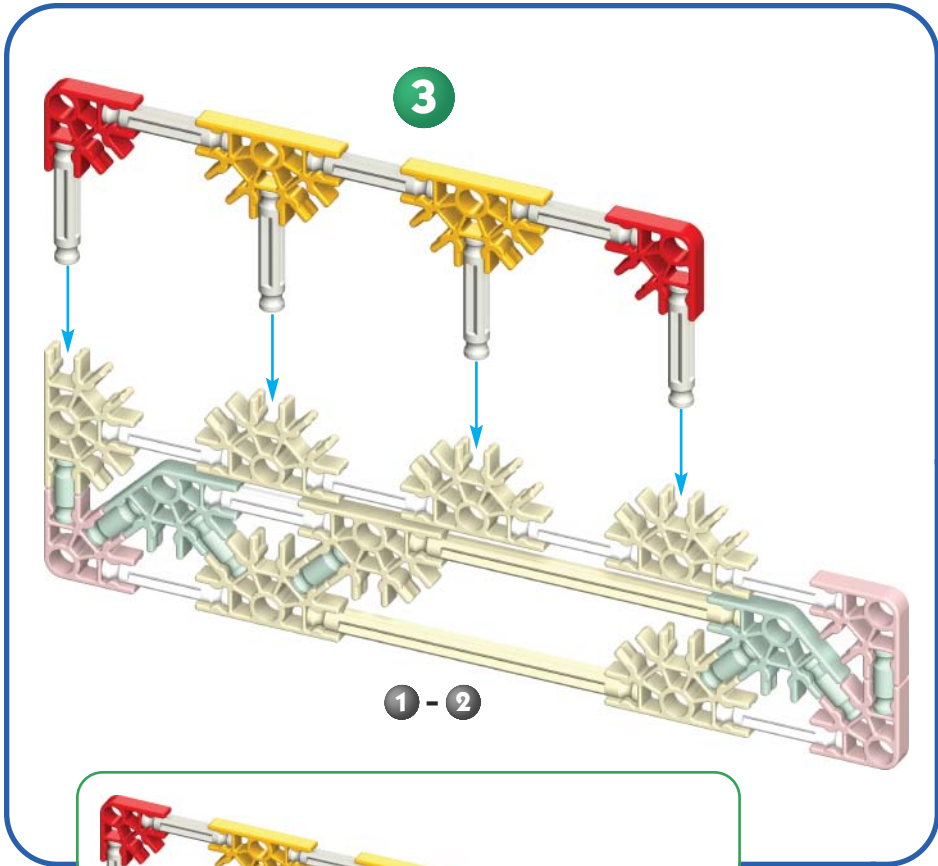


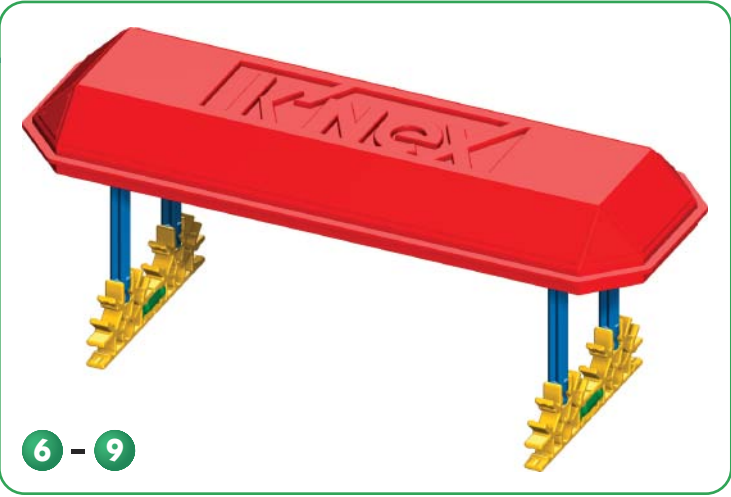
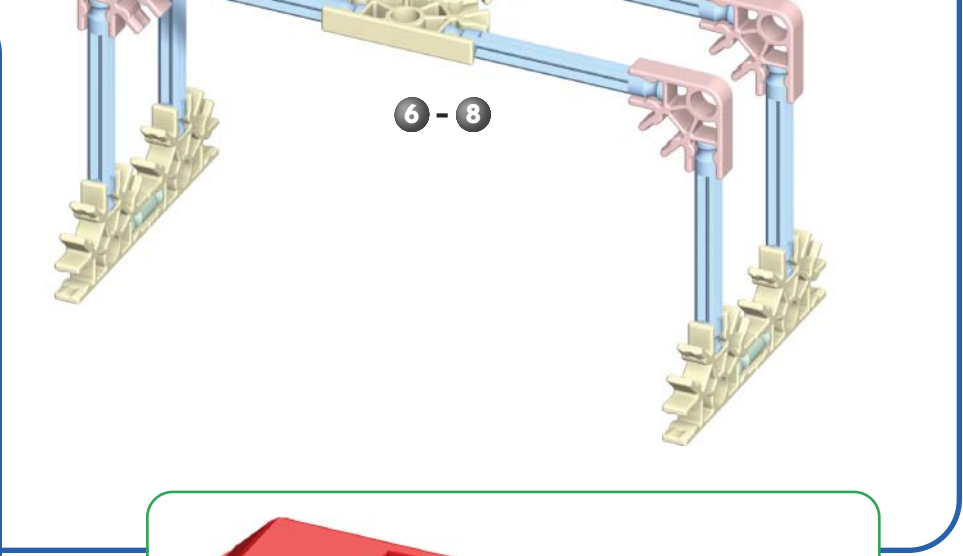
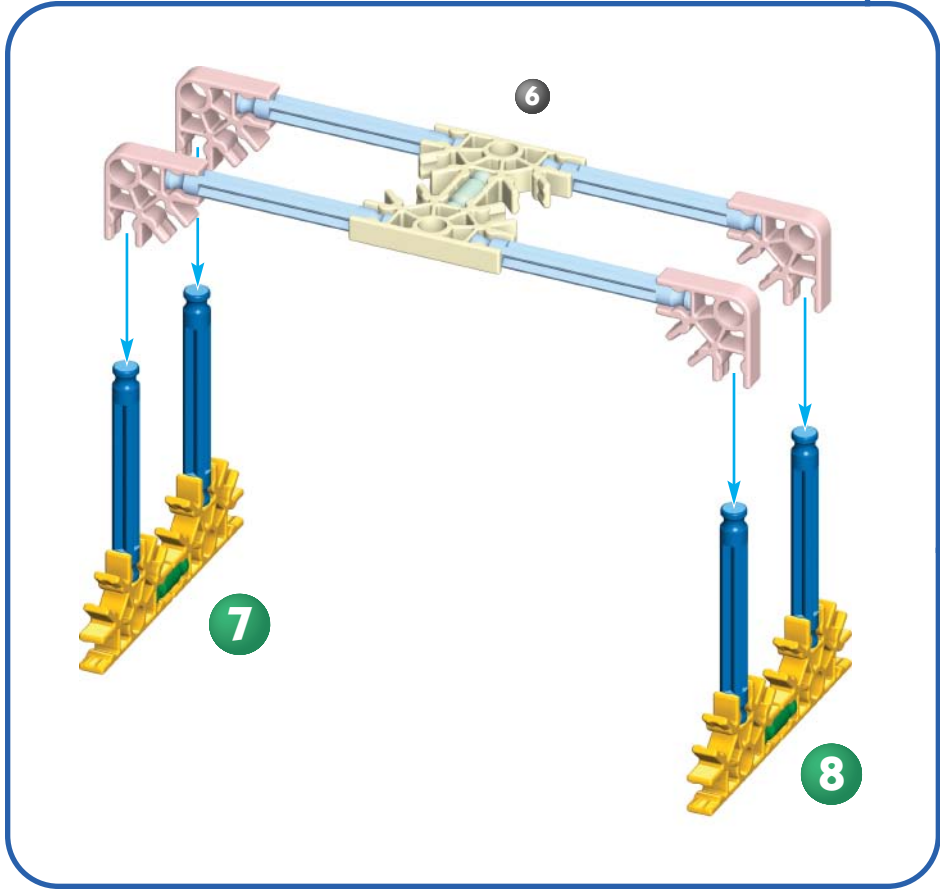
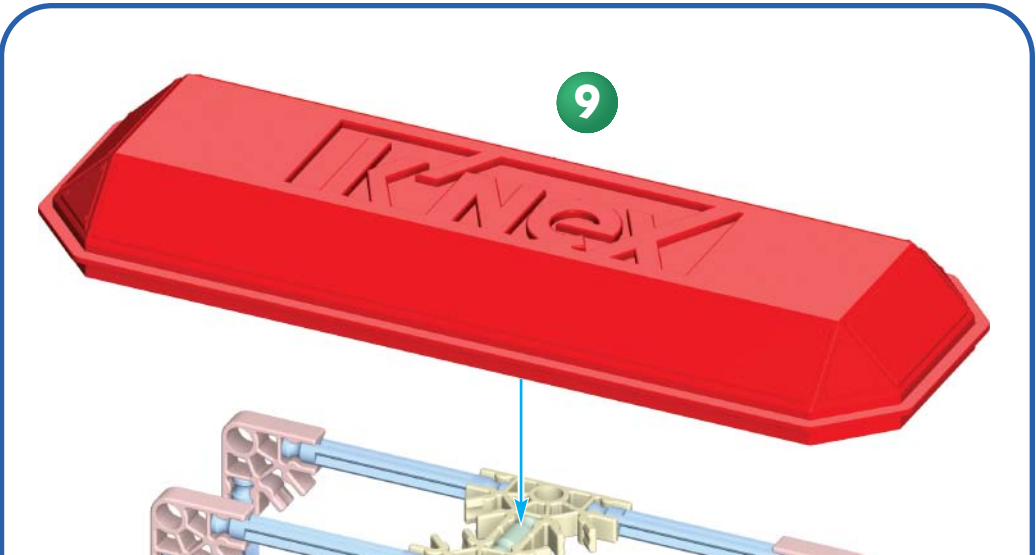
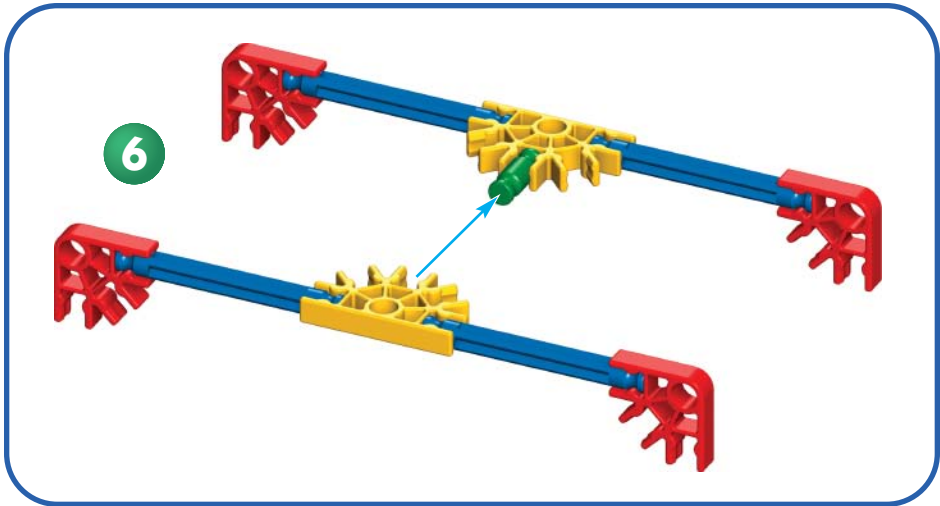
Flatbed Truck

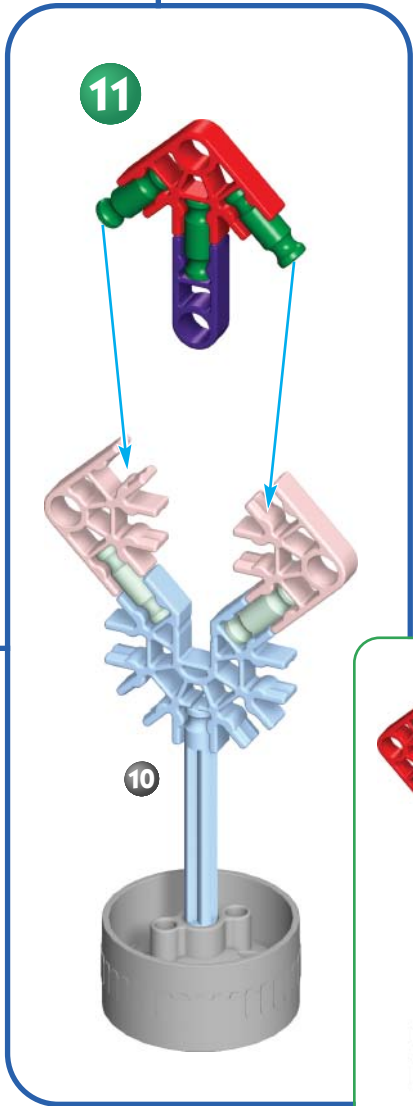
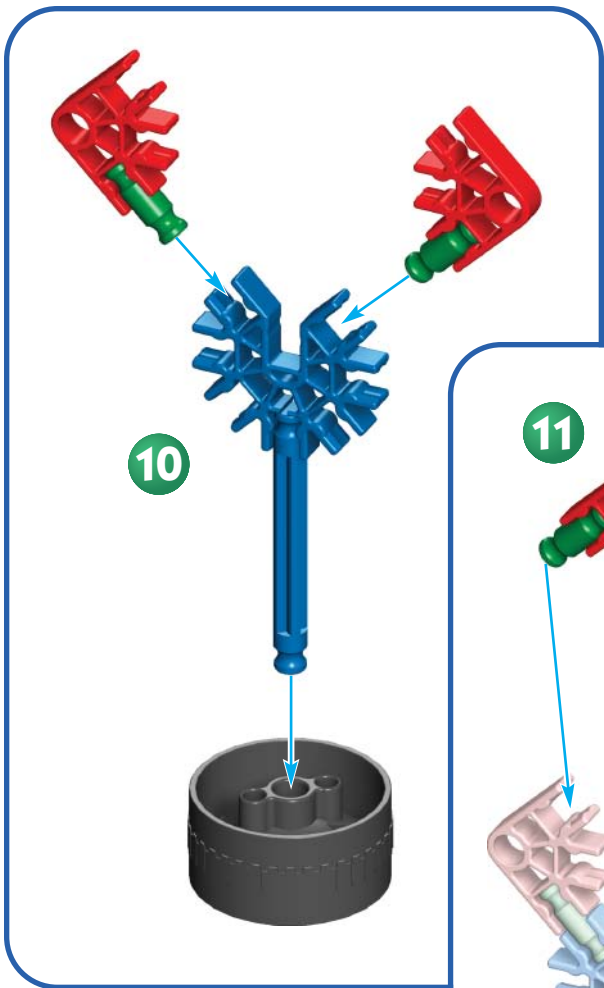
1 - 16

Bus Stop





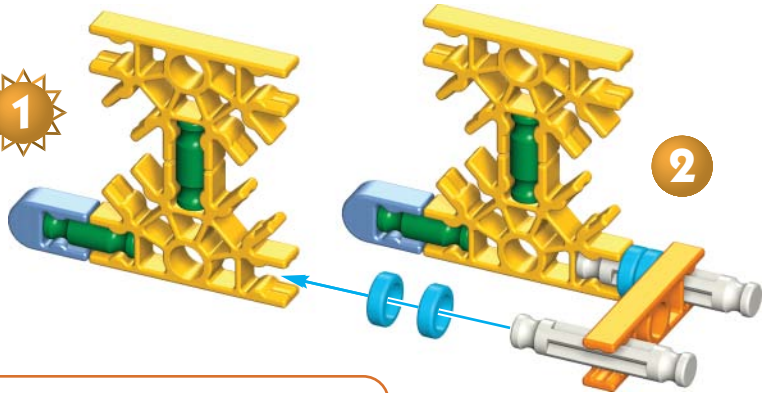




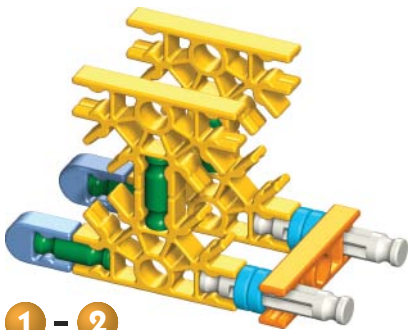
Racer



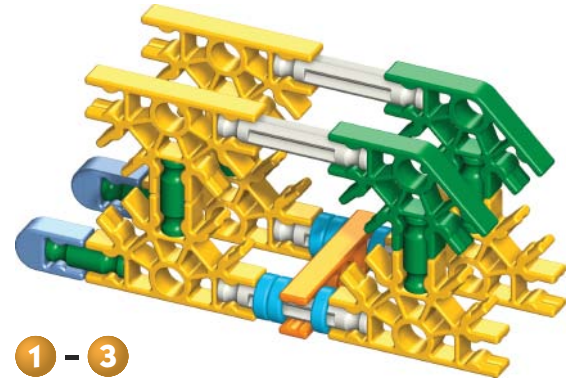
1



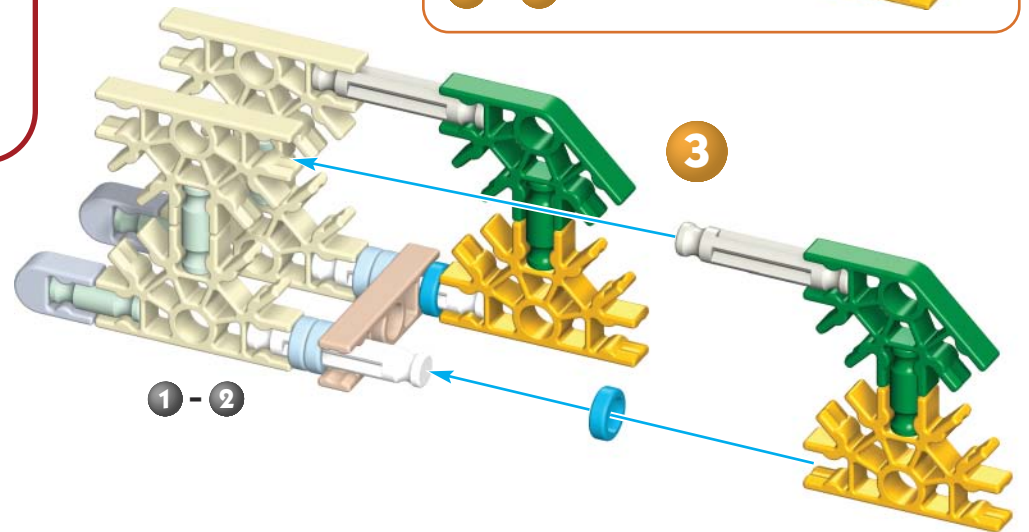
2



1 - 2



1 - 3



1 - 2

3

