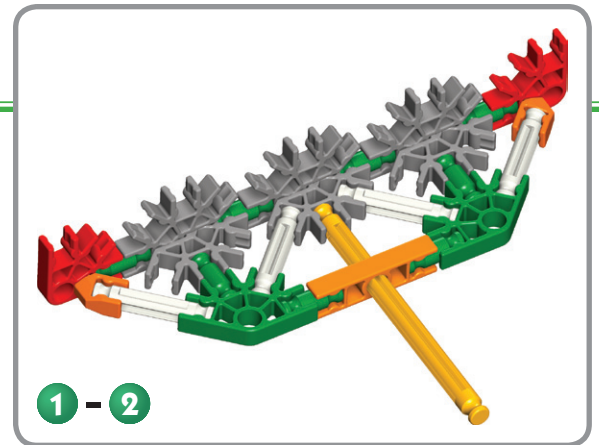
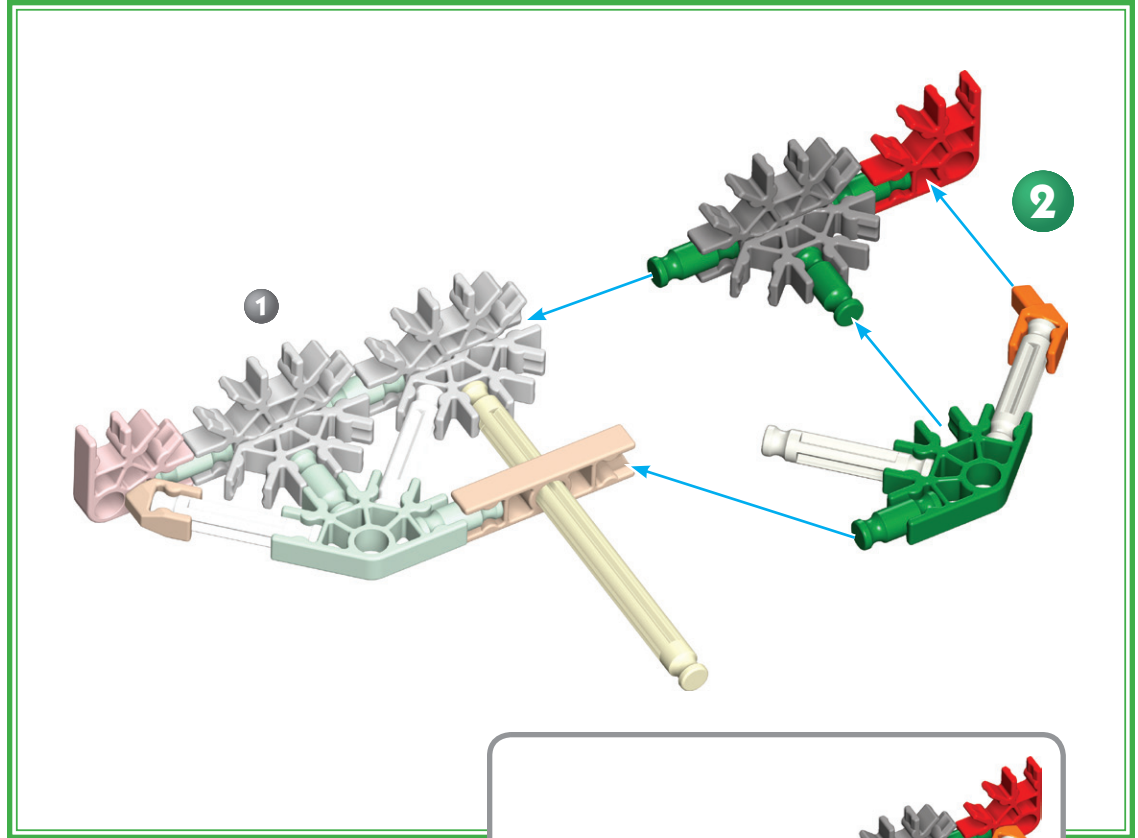
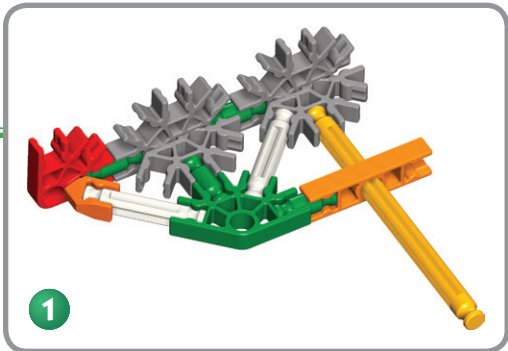
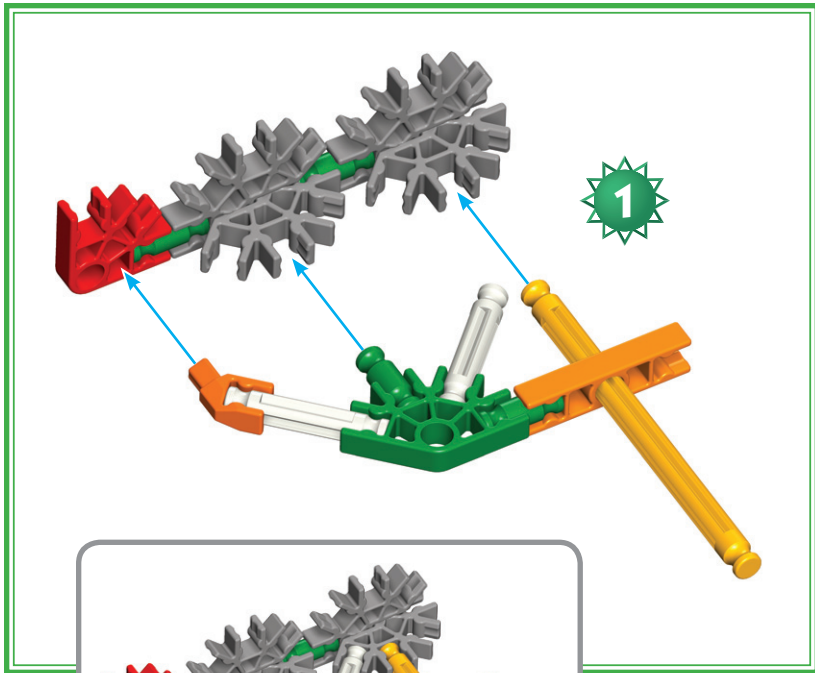
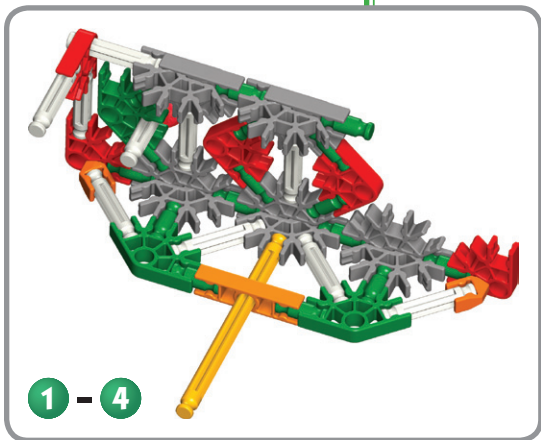
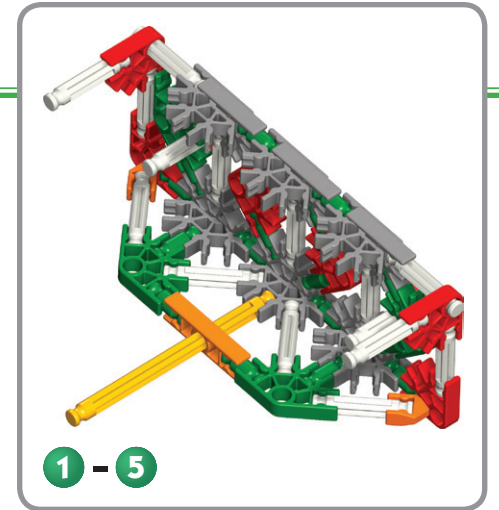
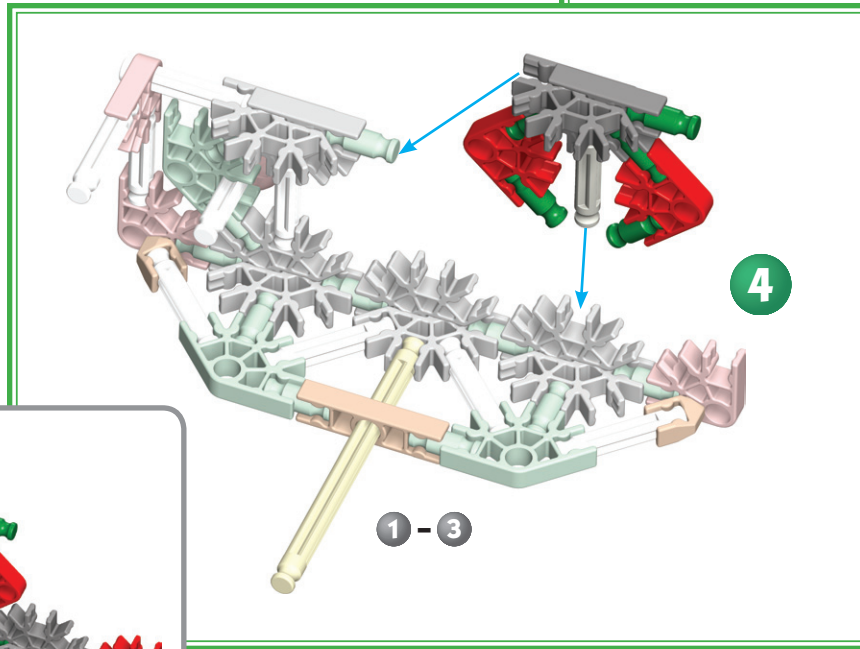
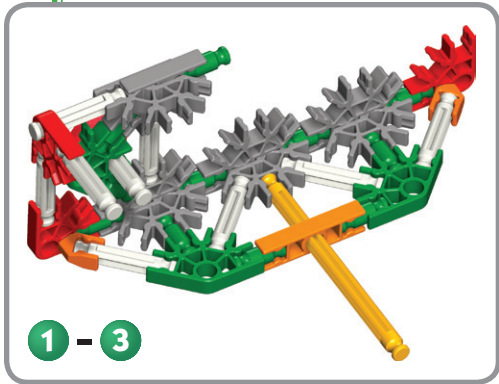
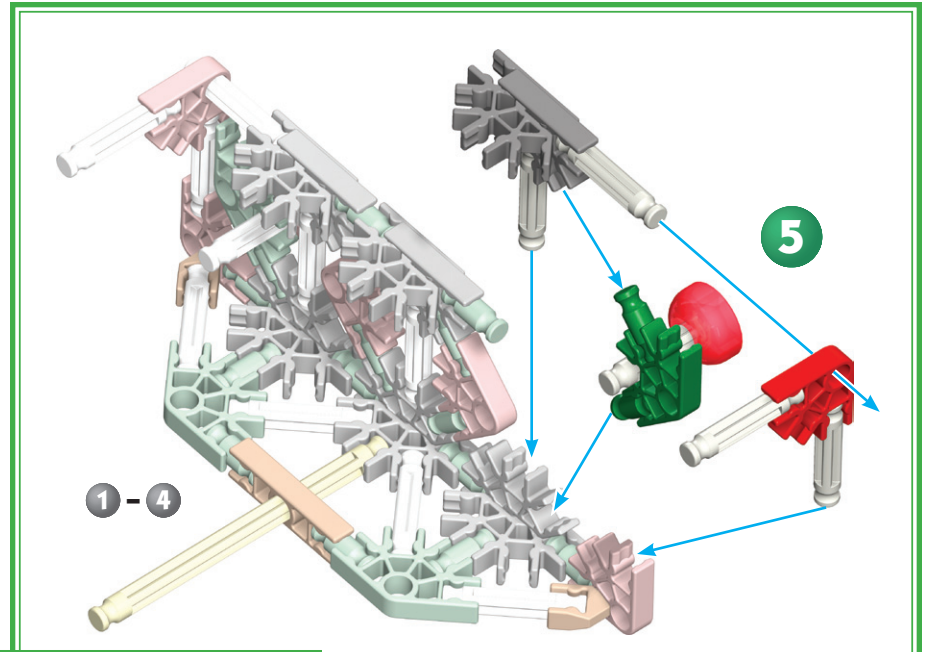
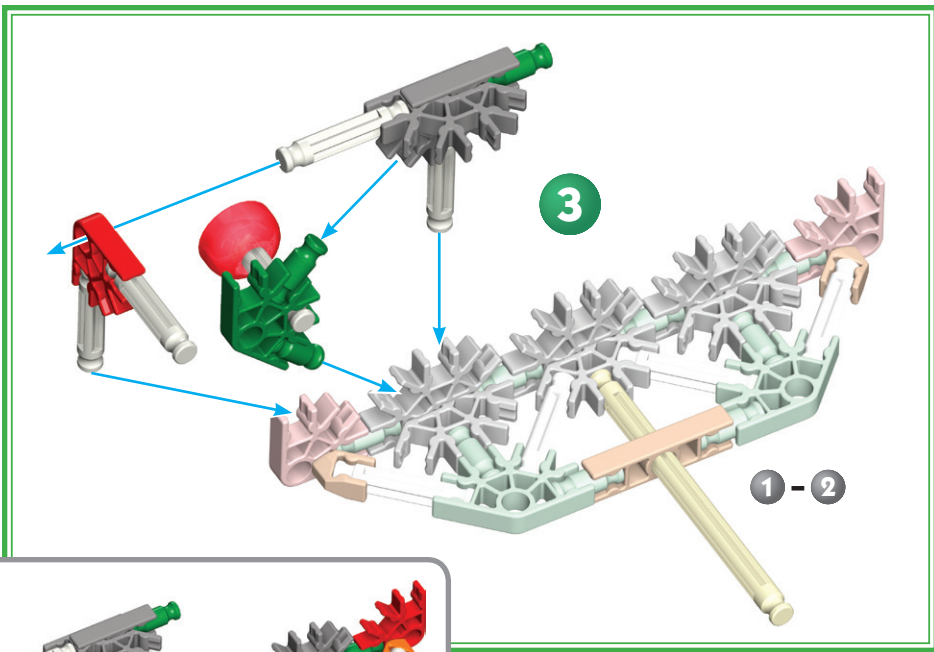
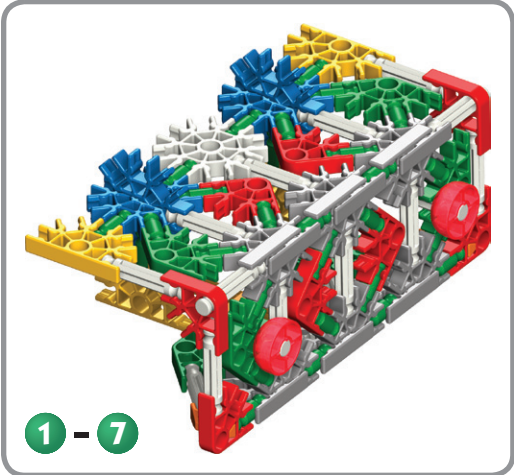
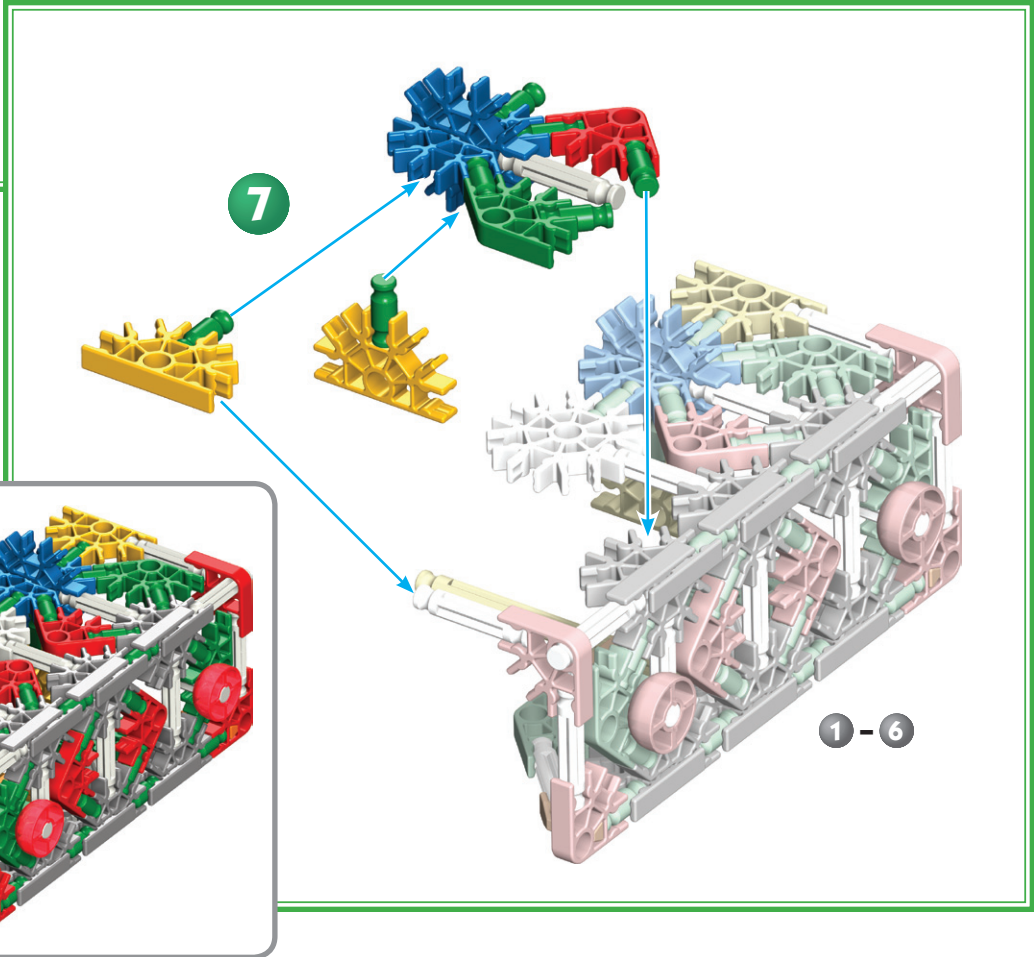
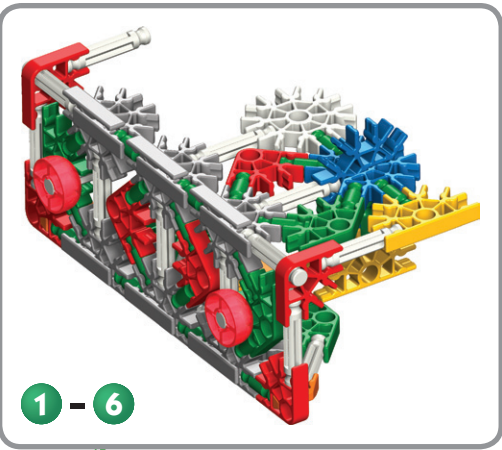
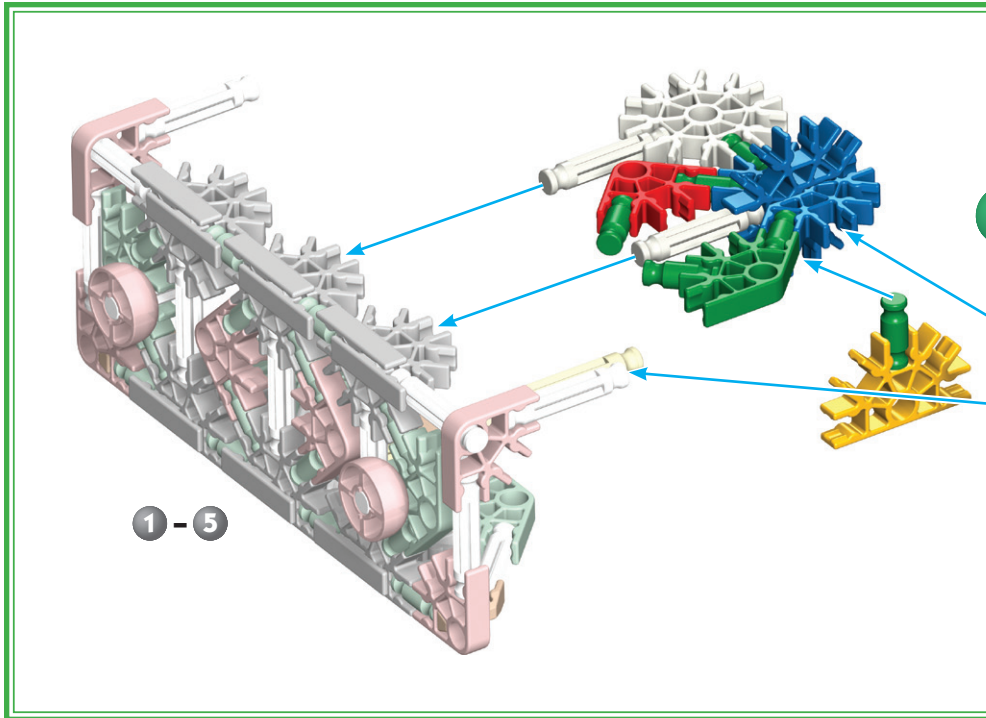
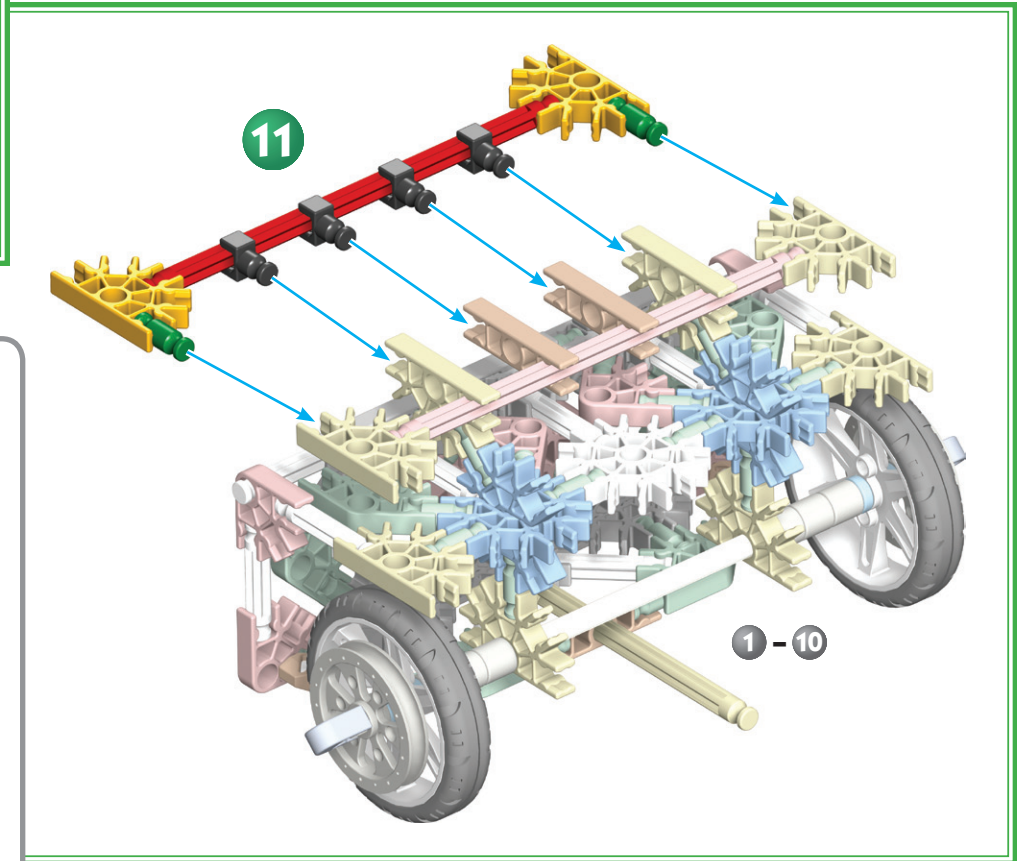
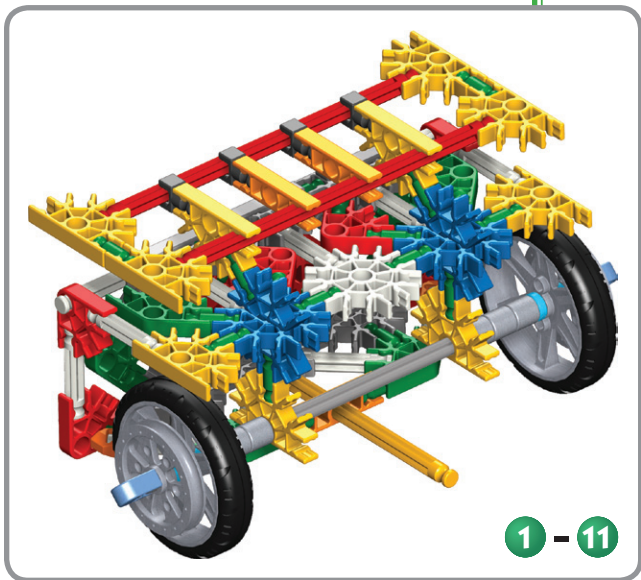
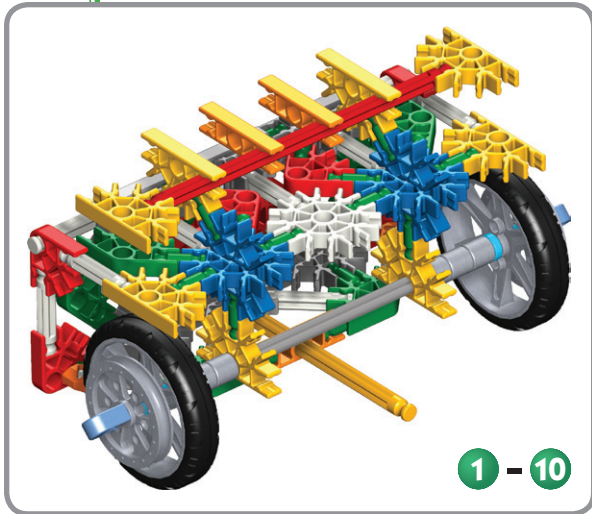
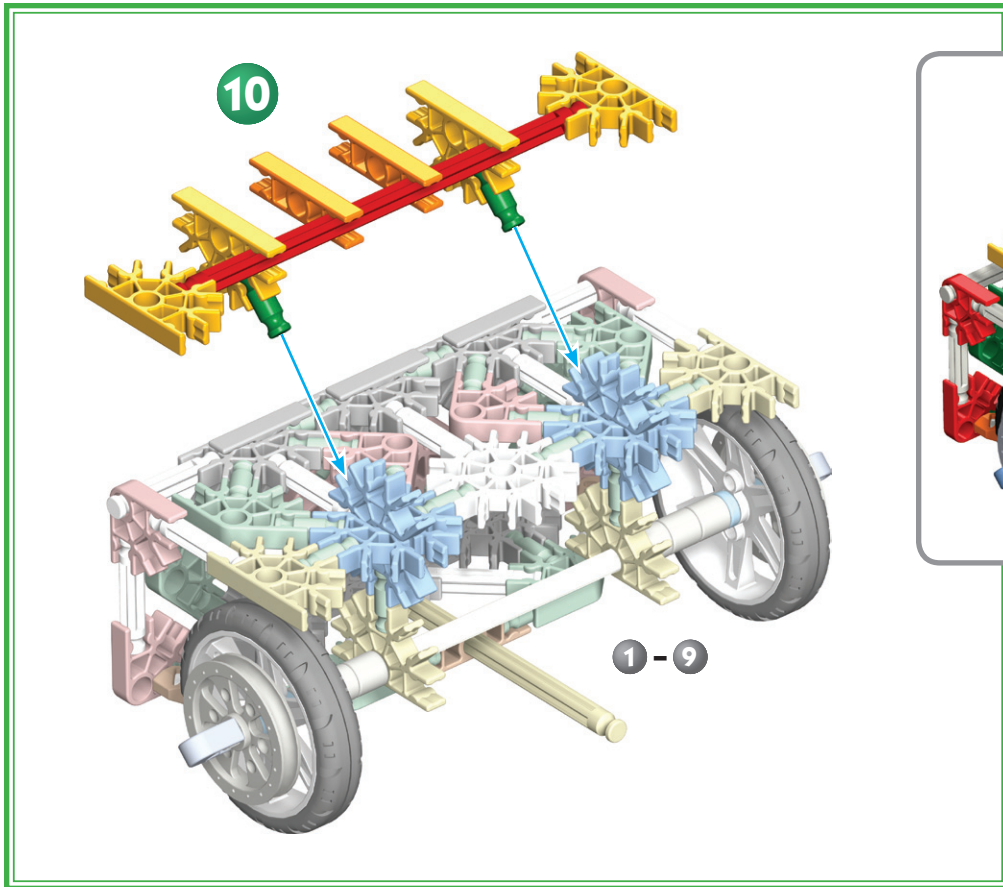


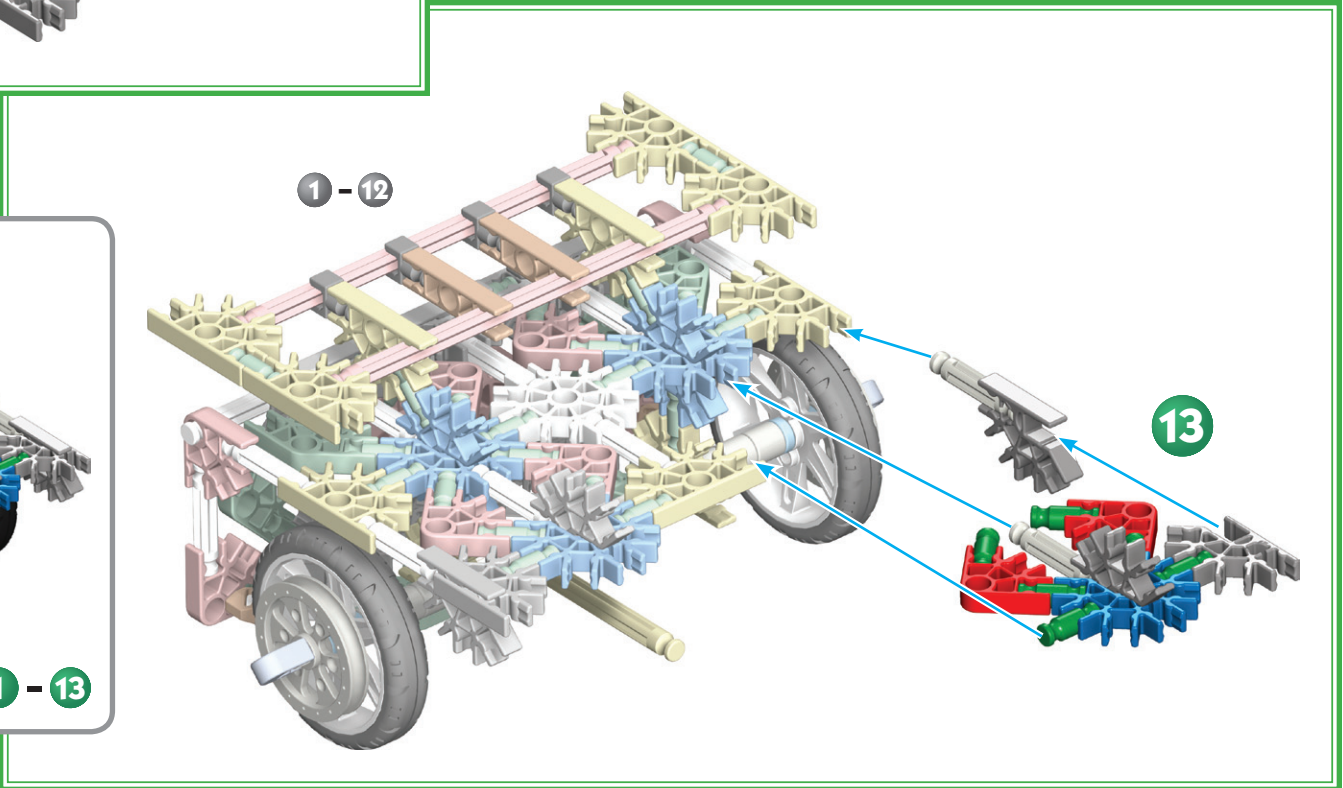
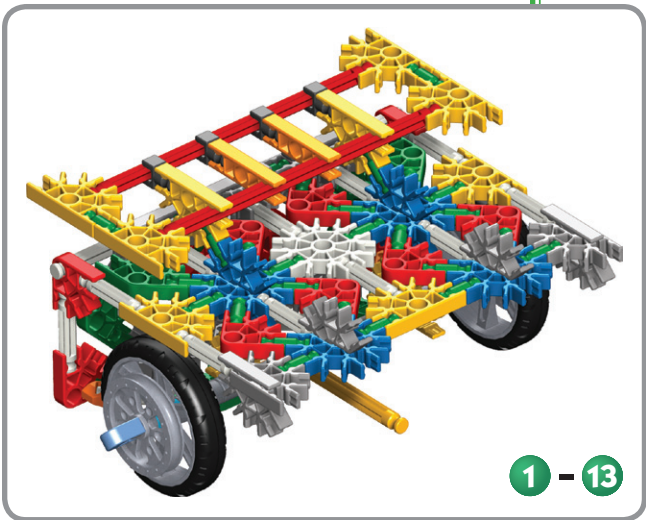
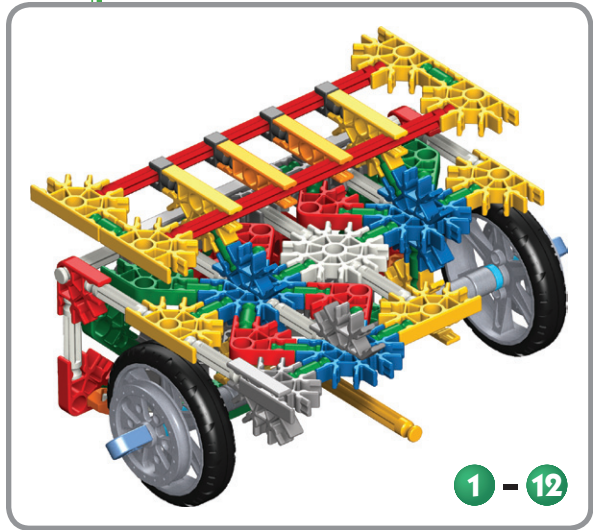
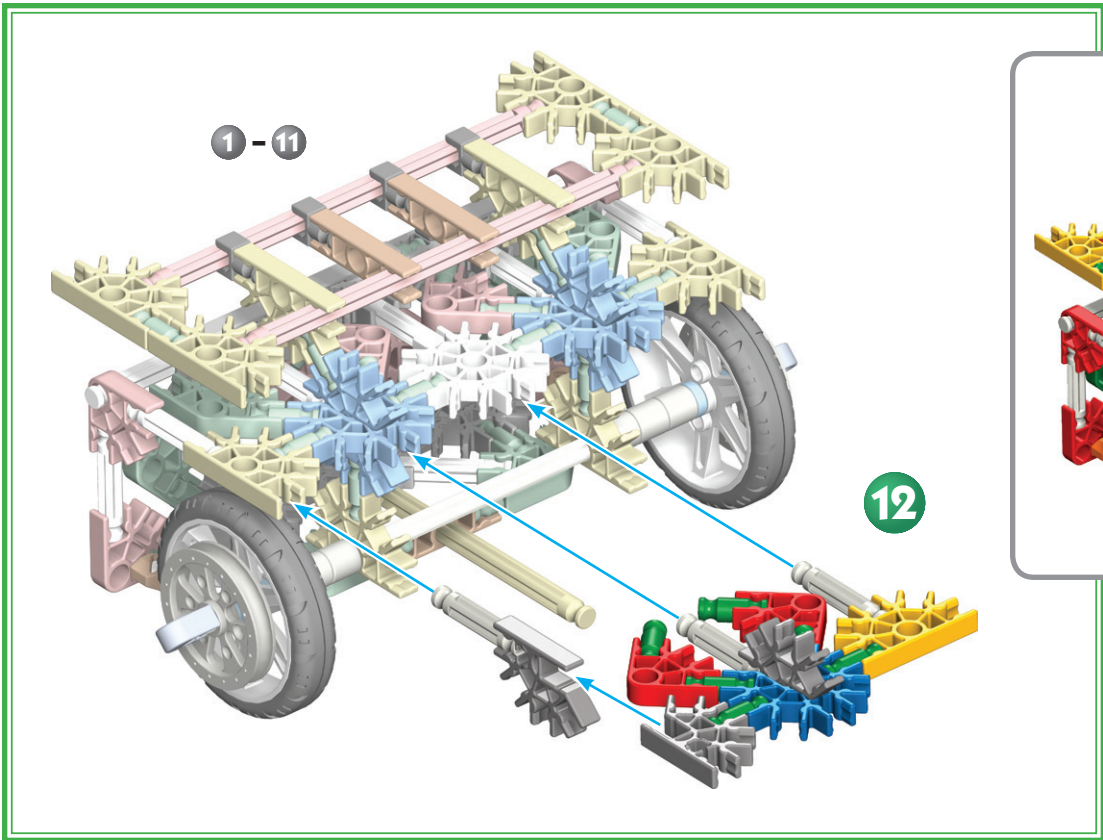
Large Sports Car

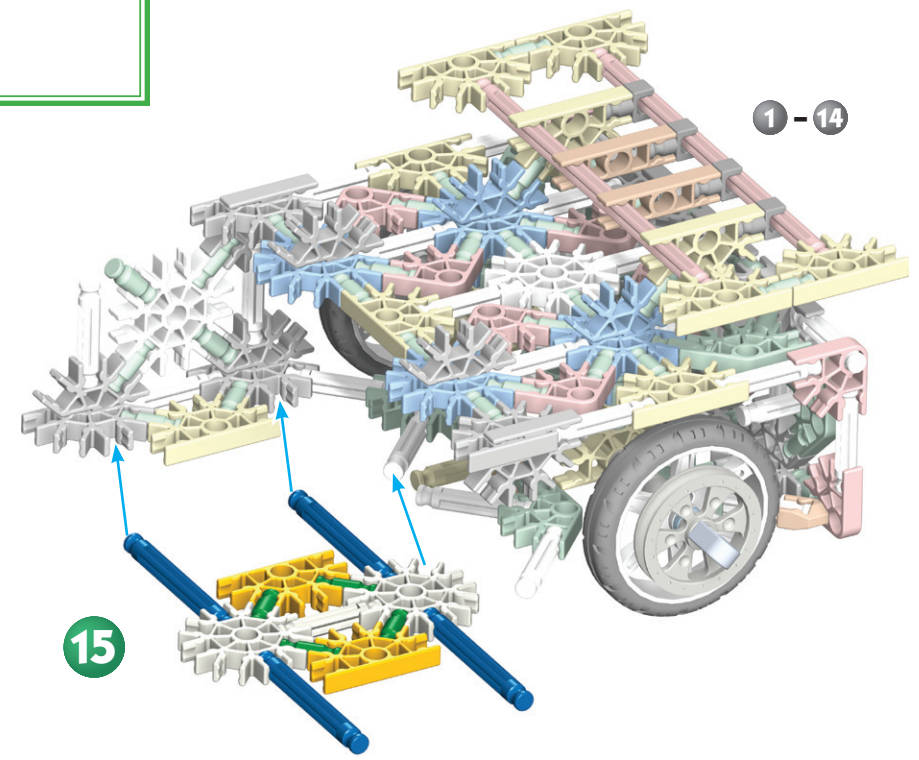
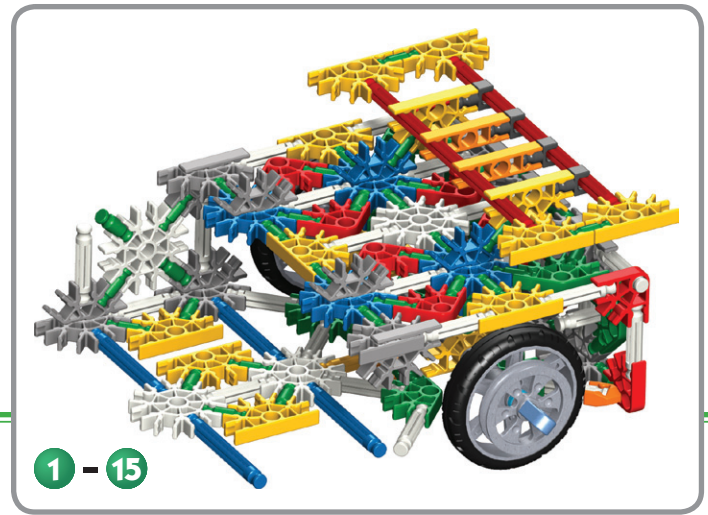
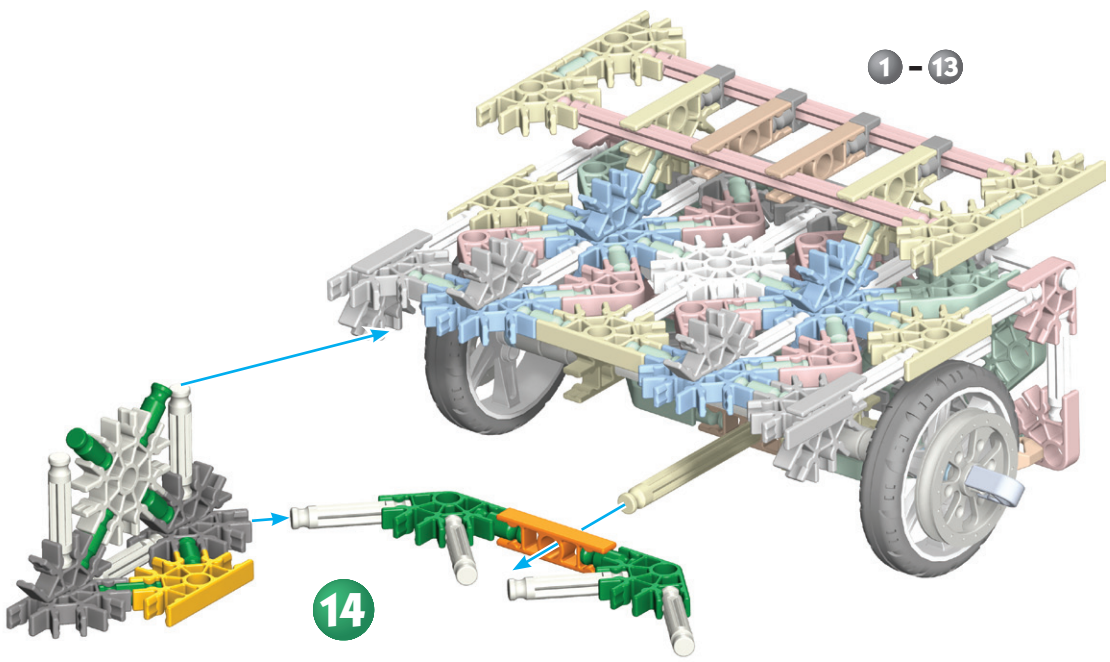


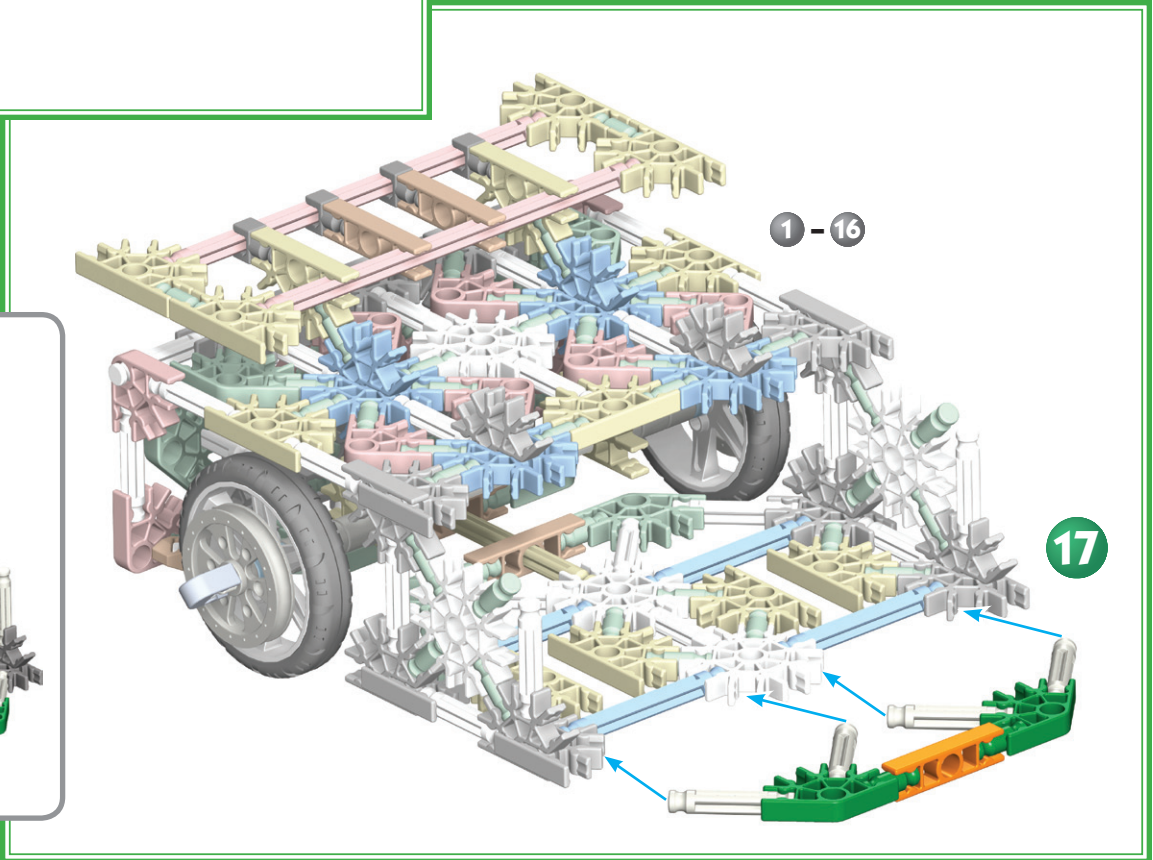
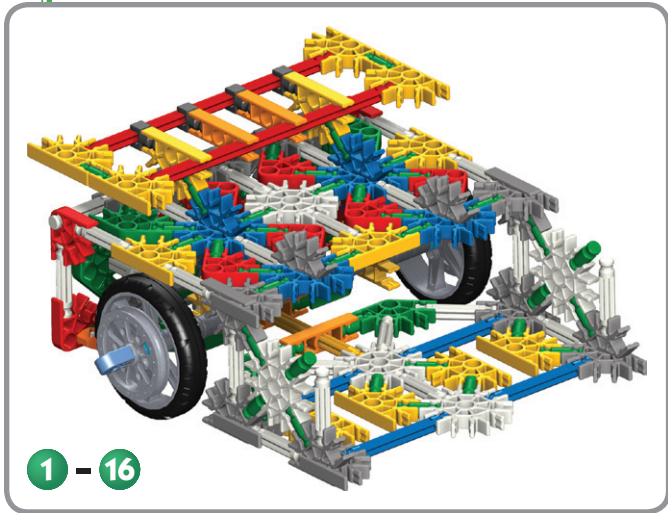
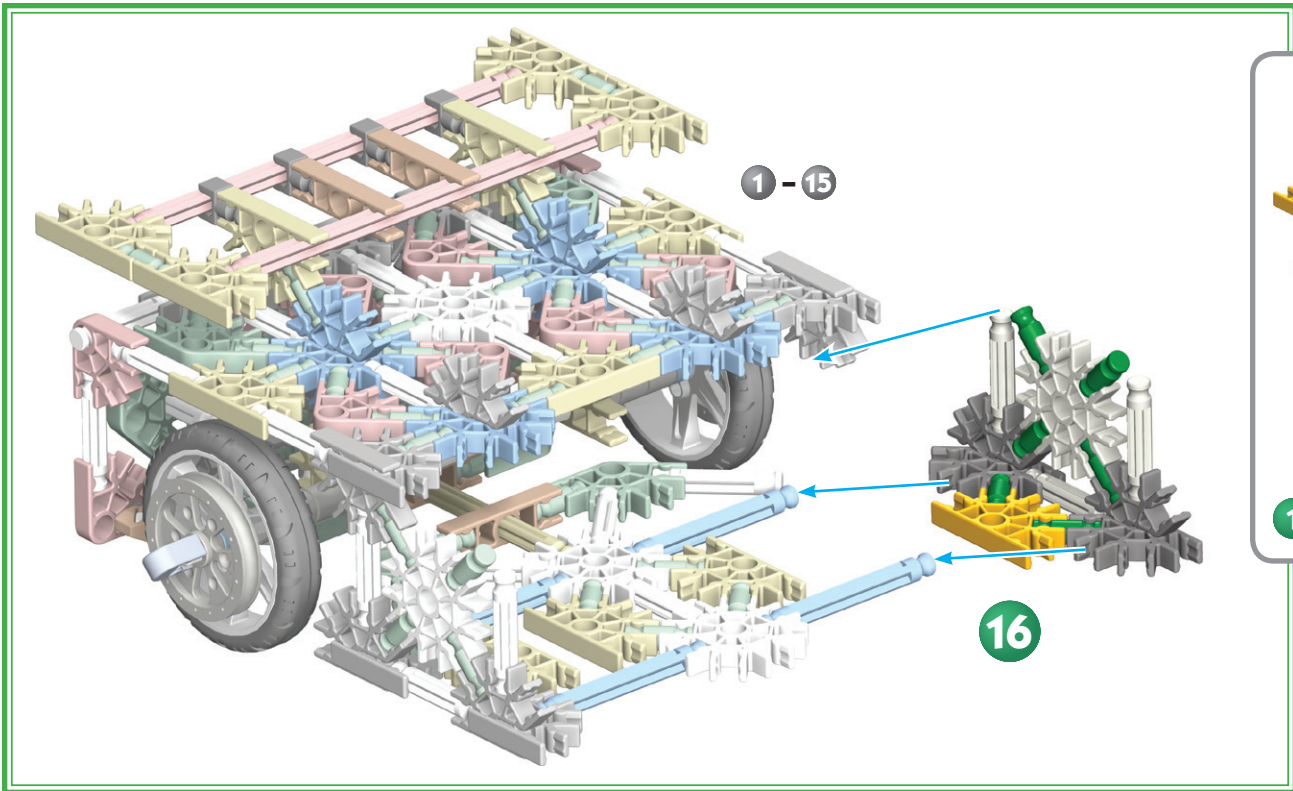


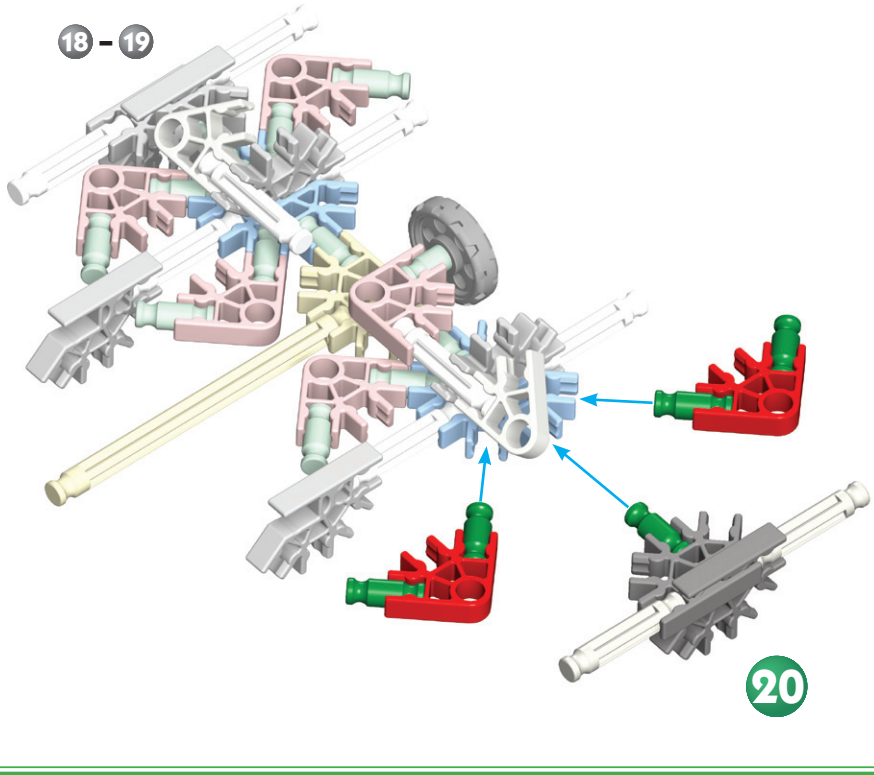
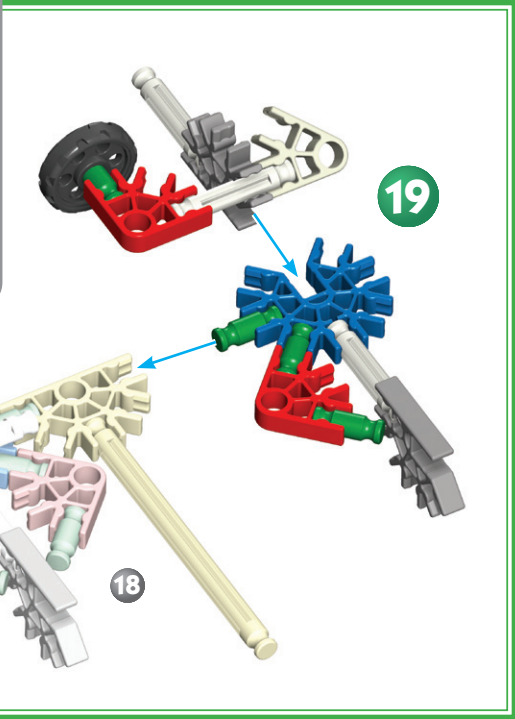
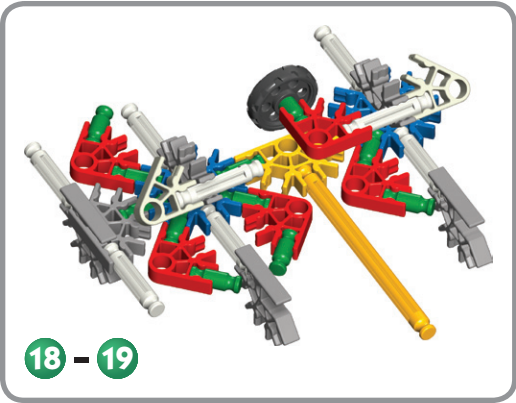
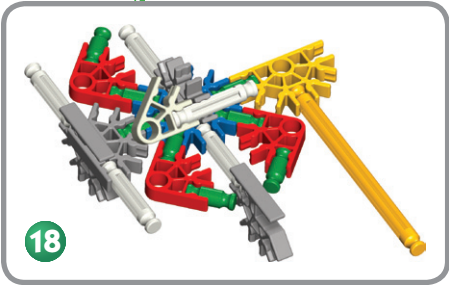
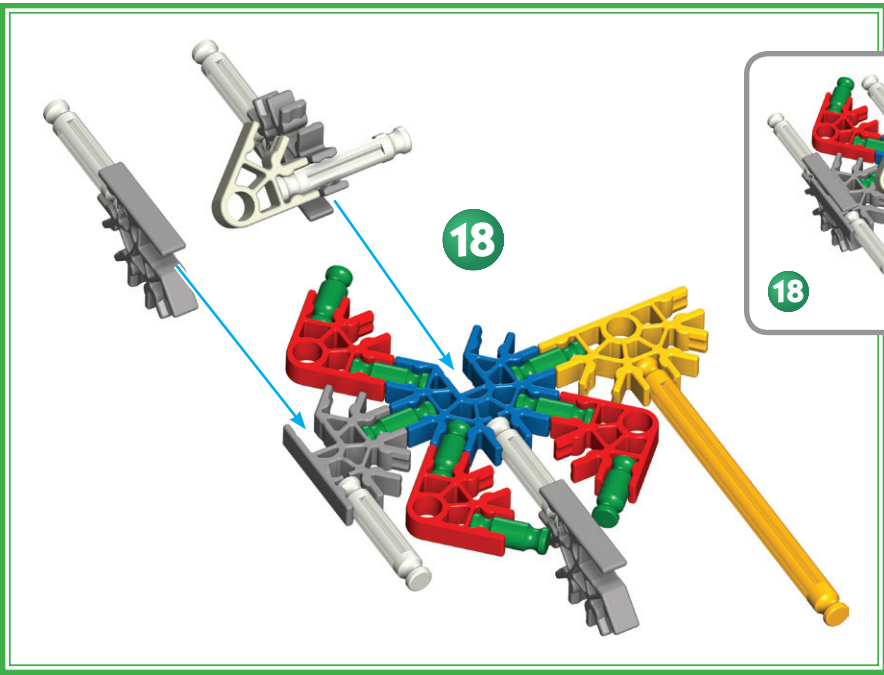


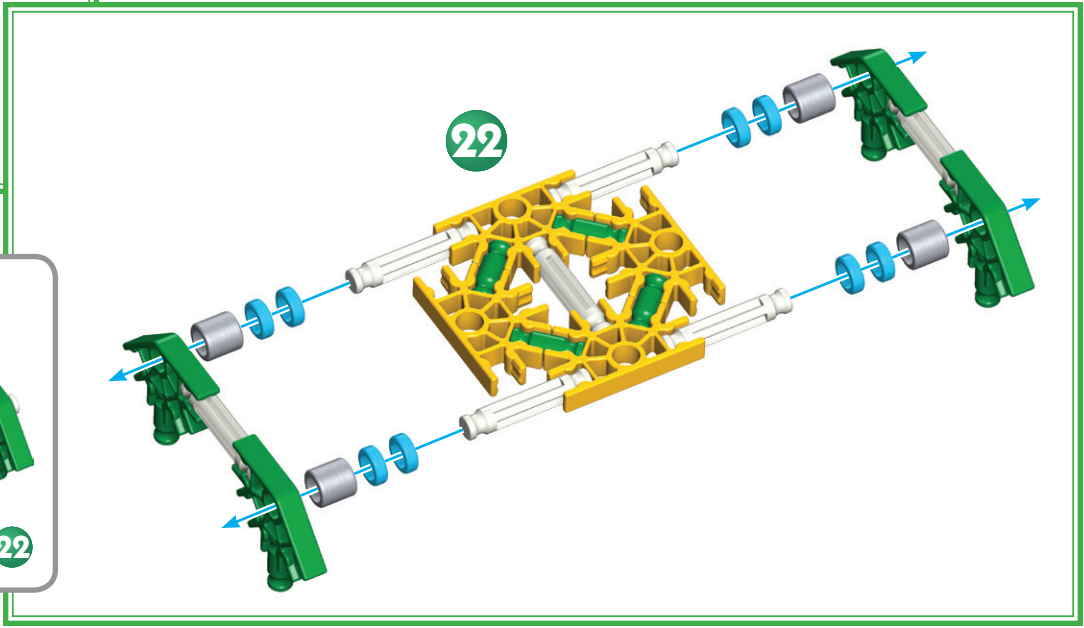
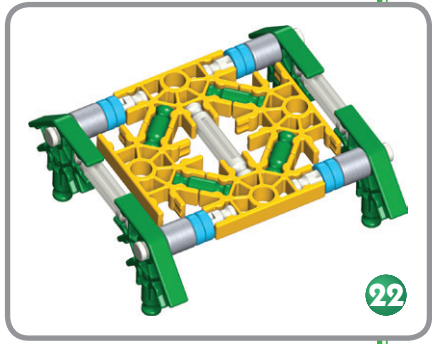
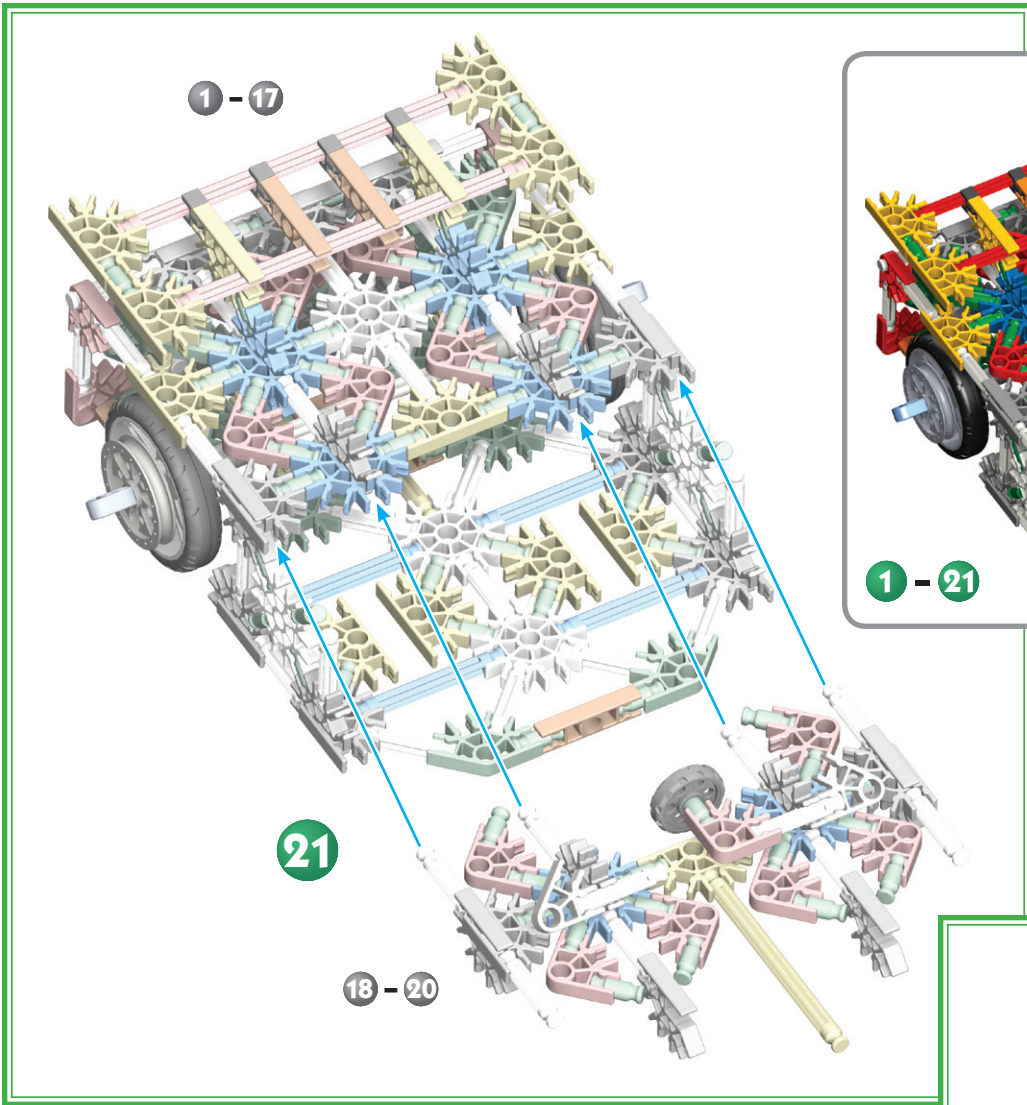


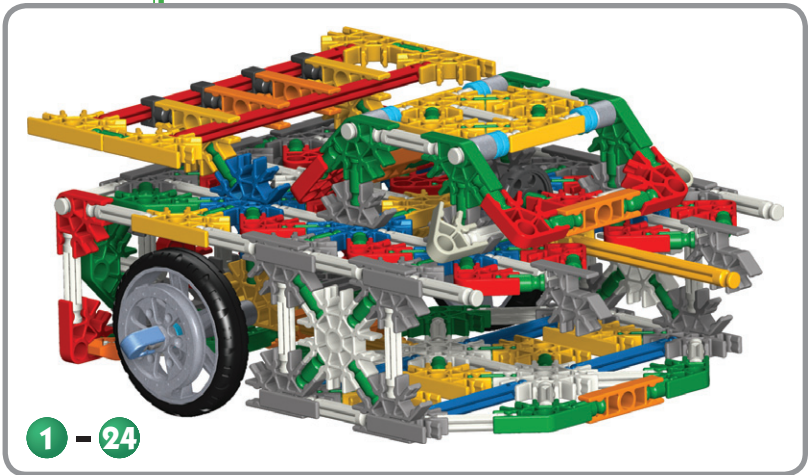
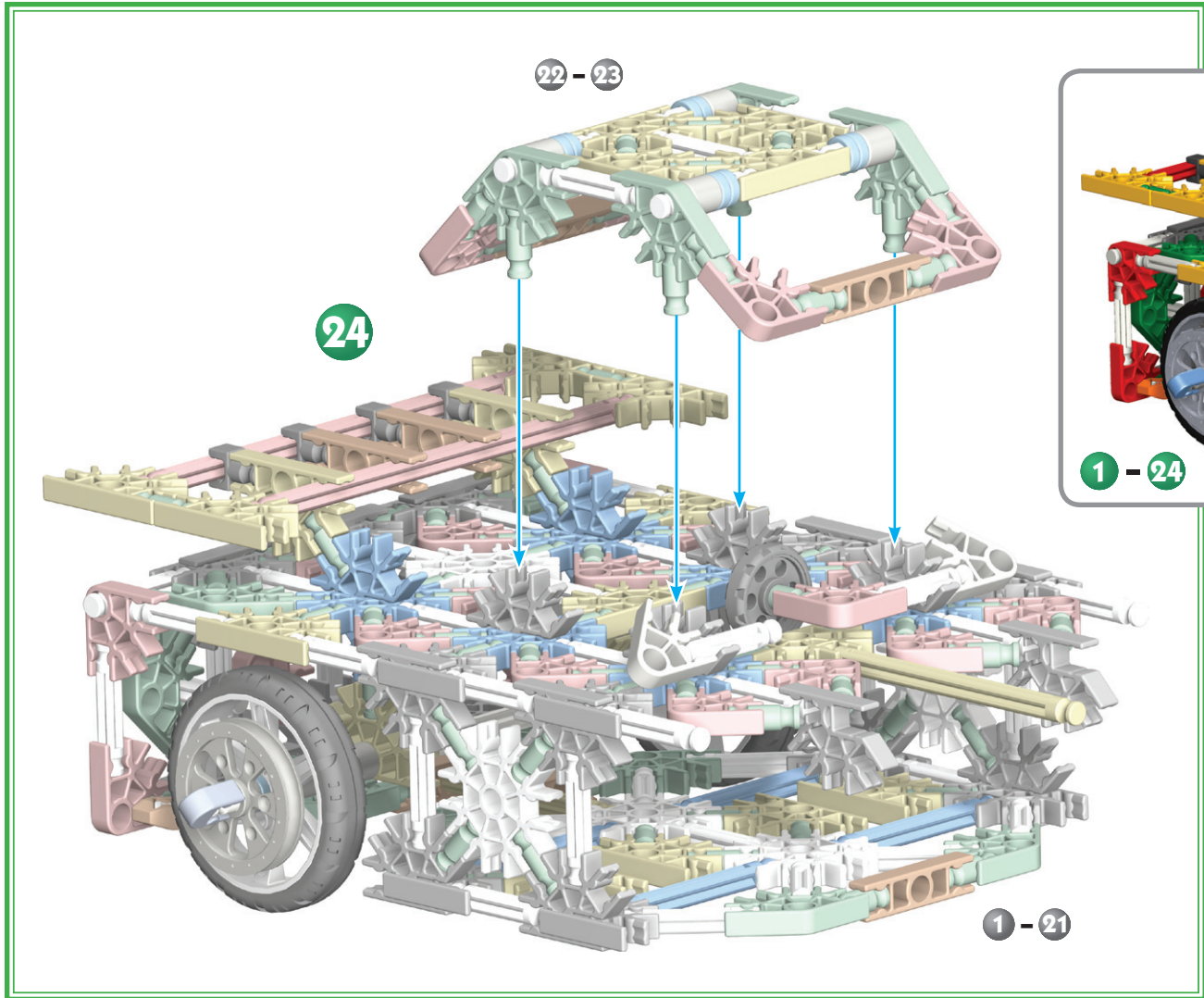
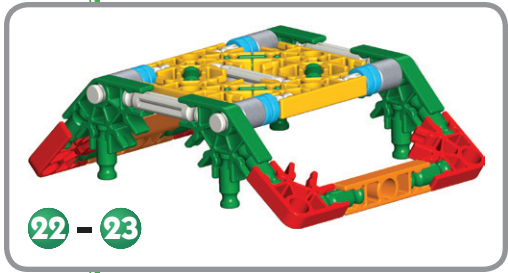
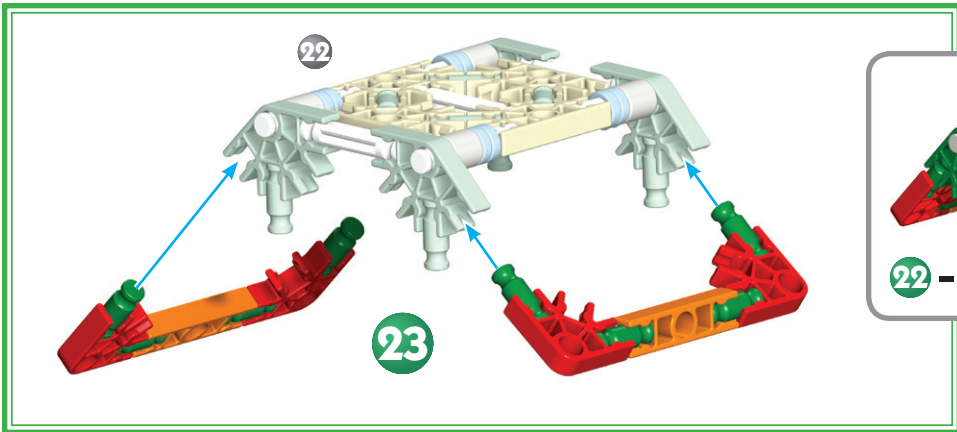


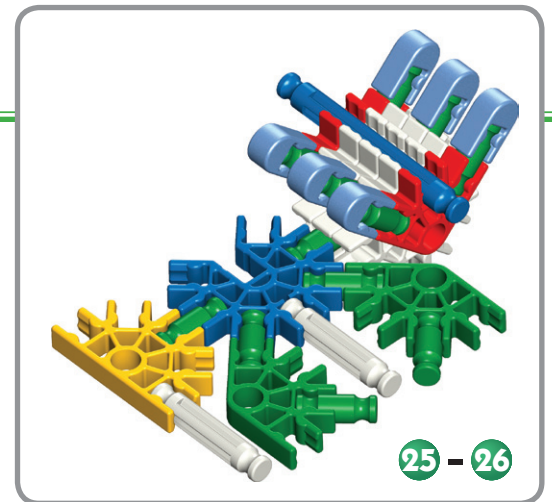
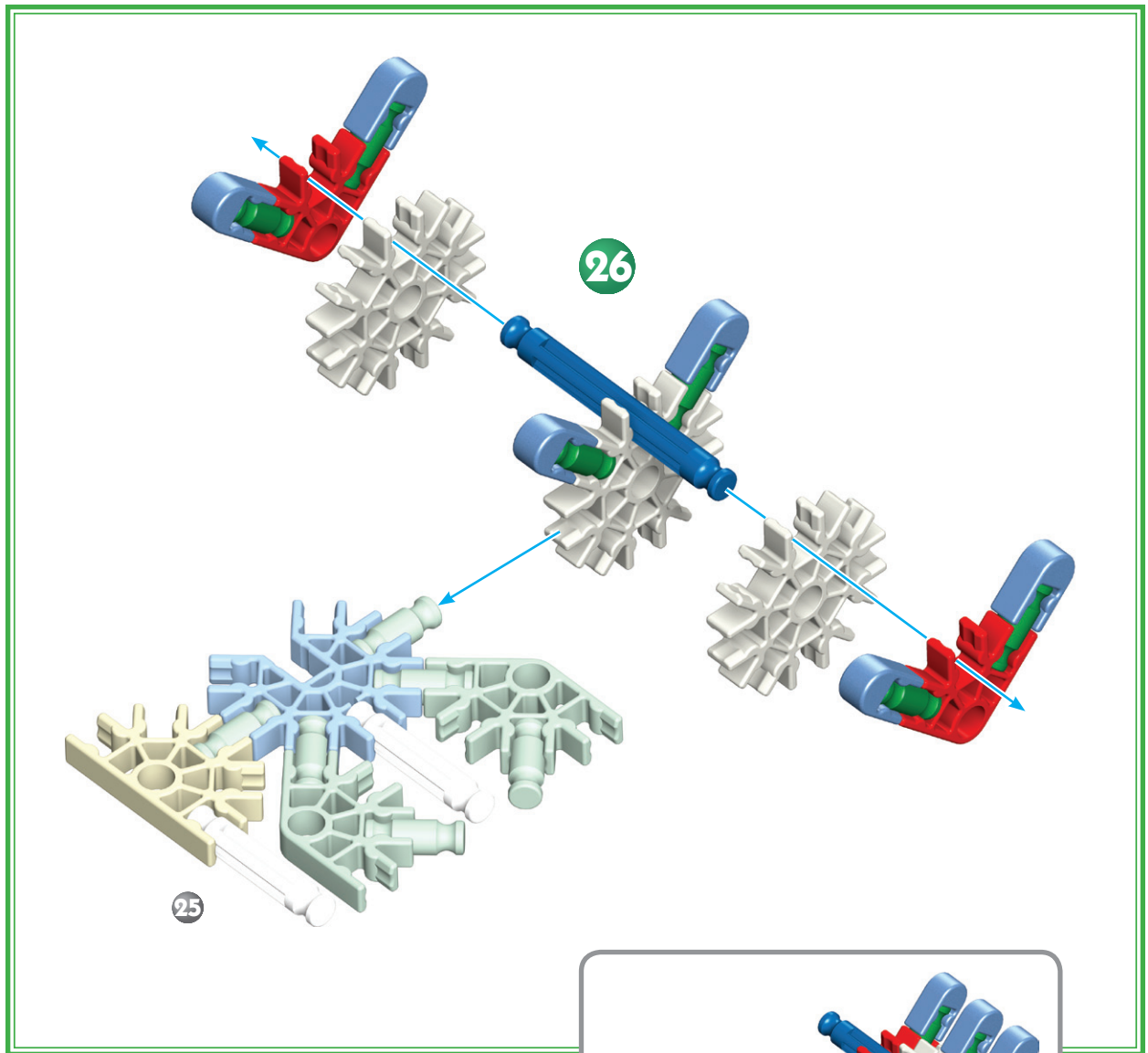


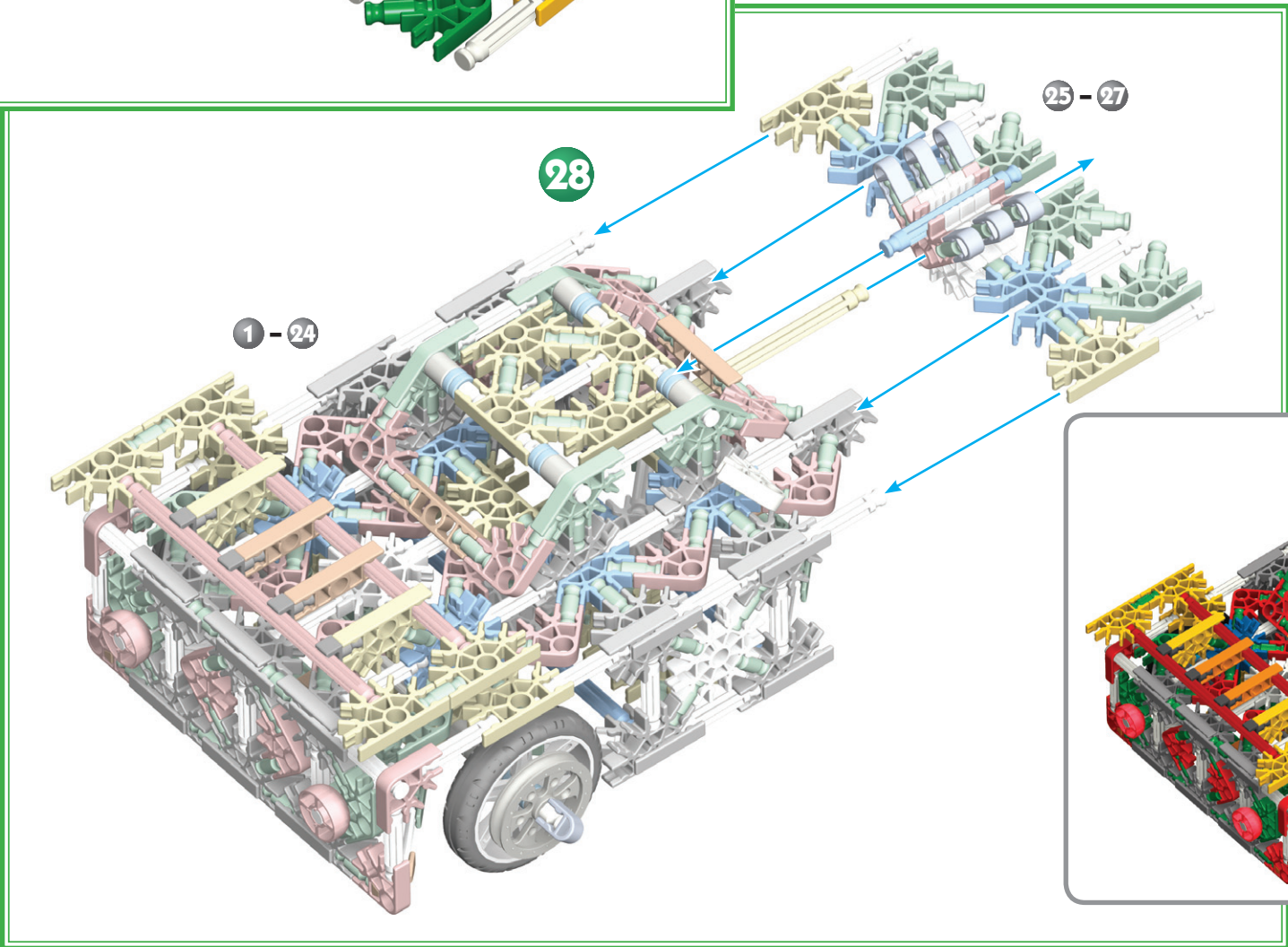
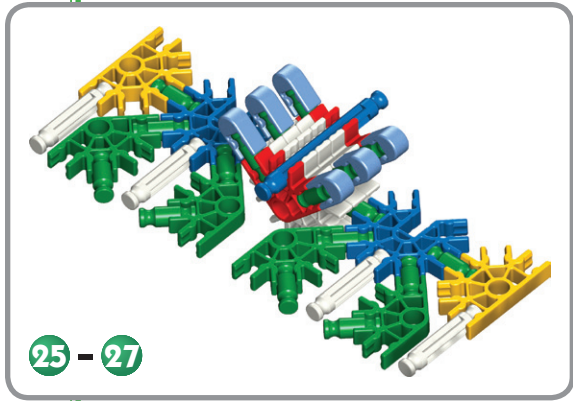
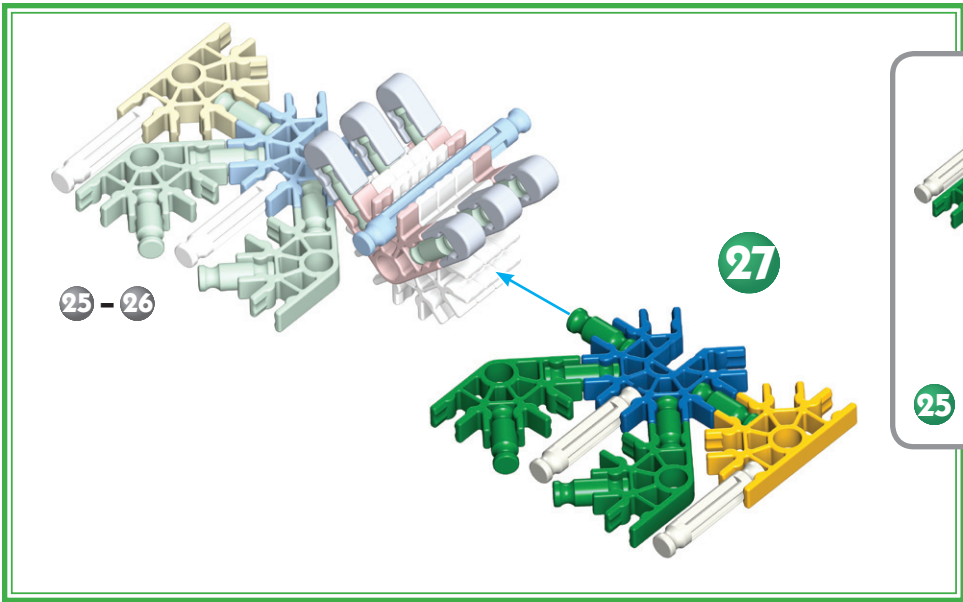




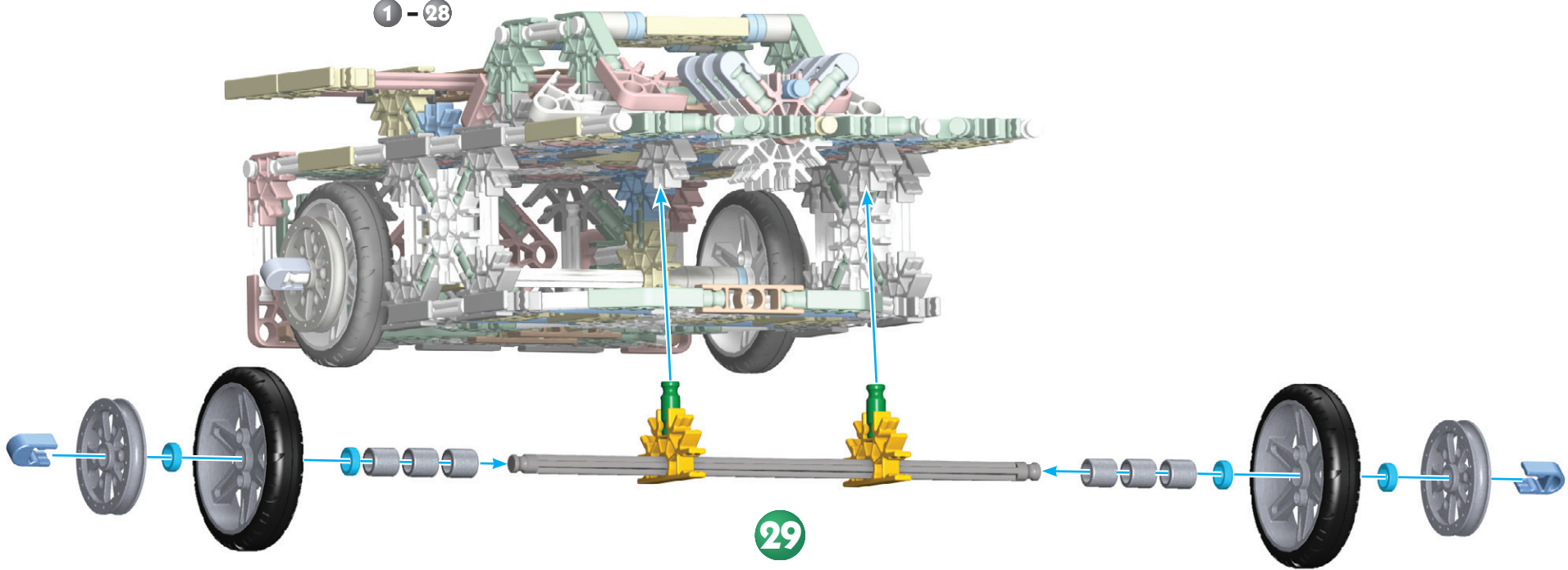




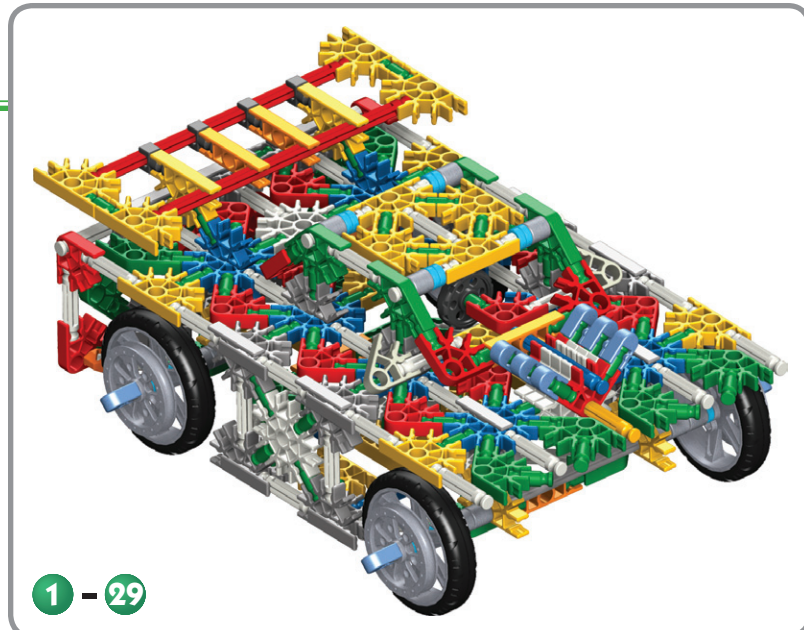




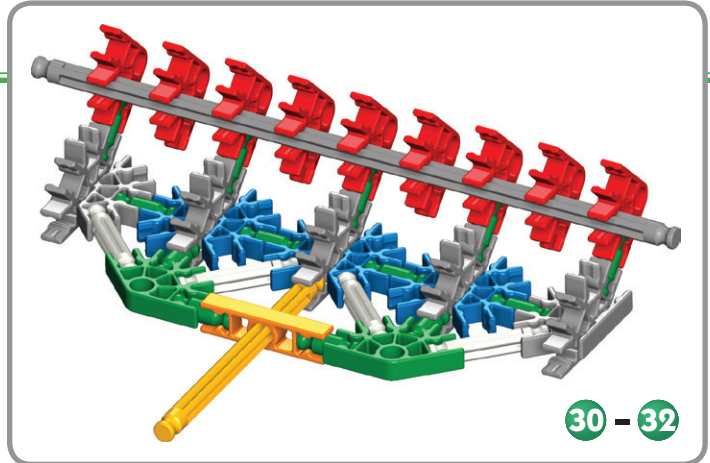
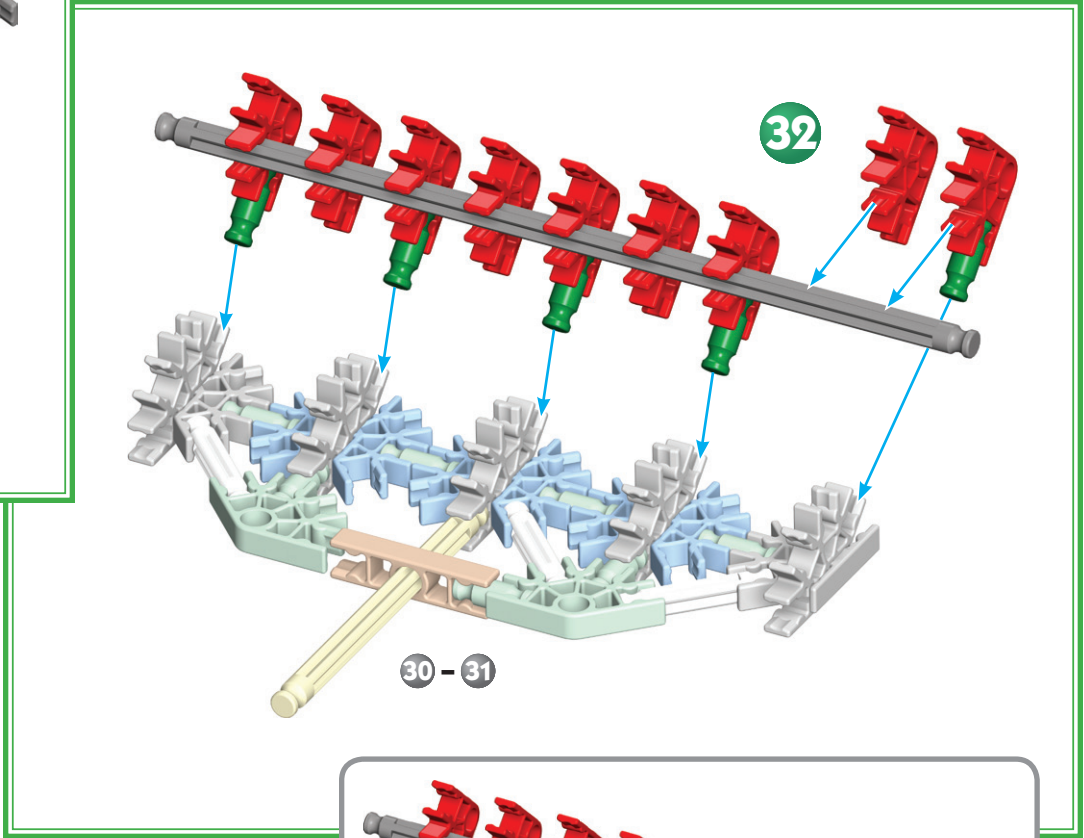
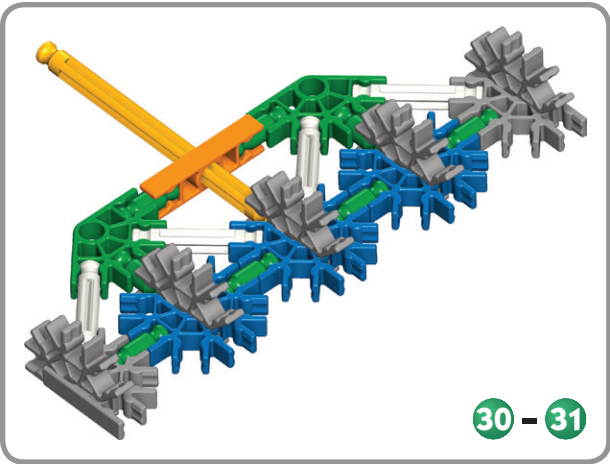
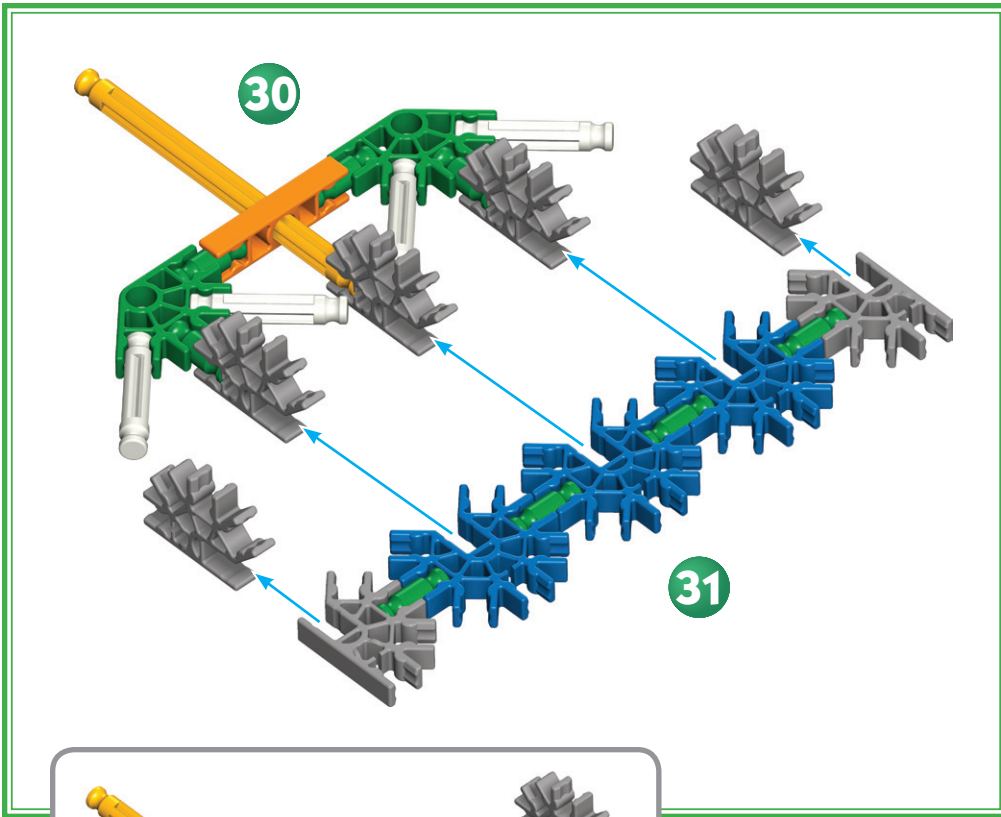
1 - 28

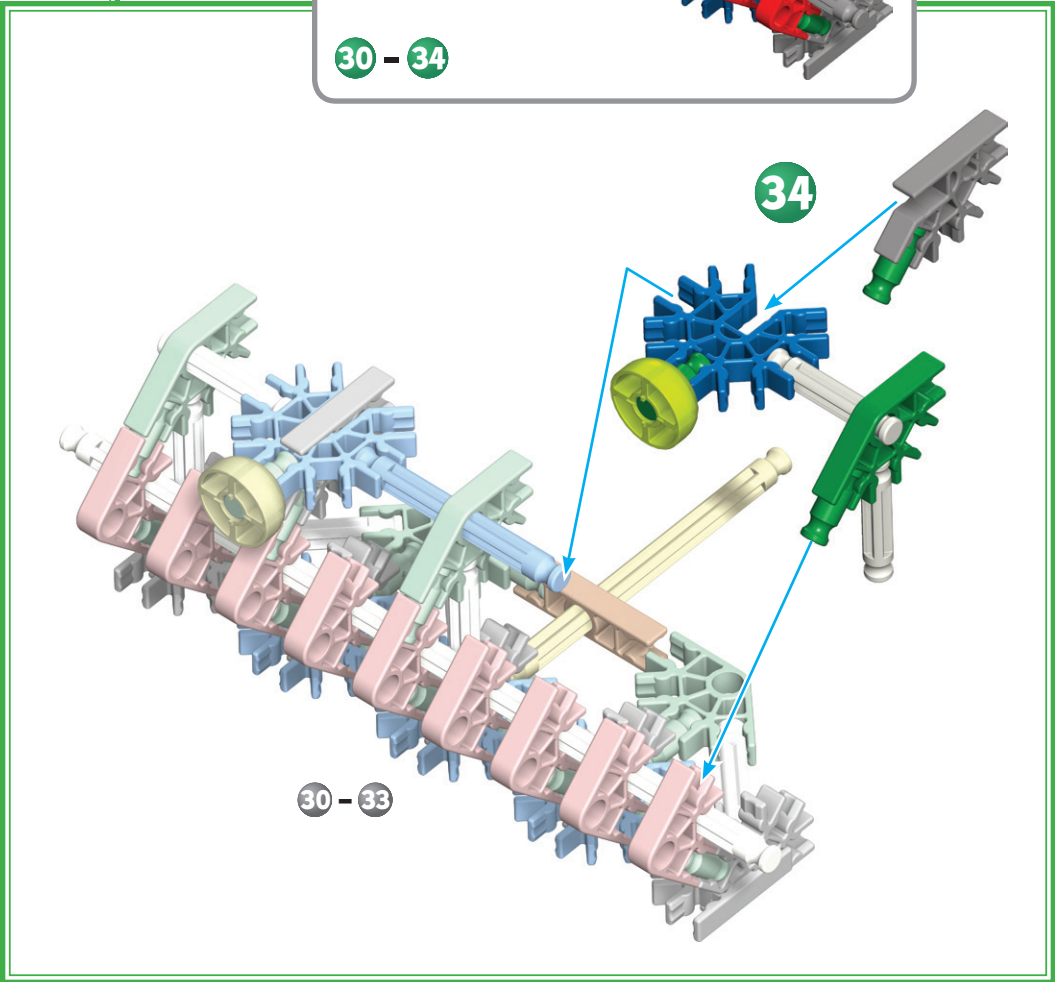
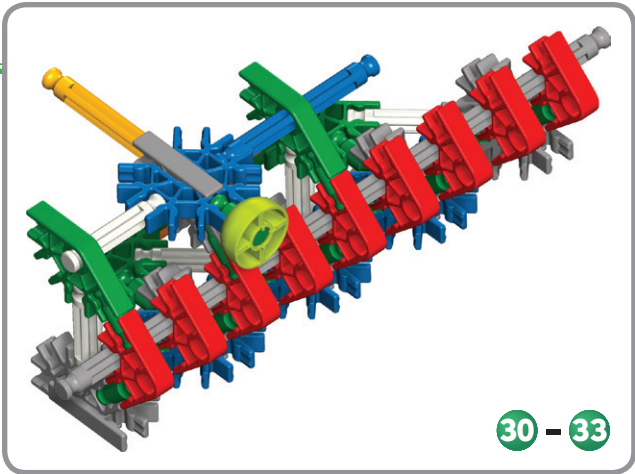
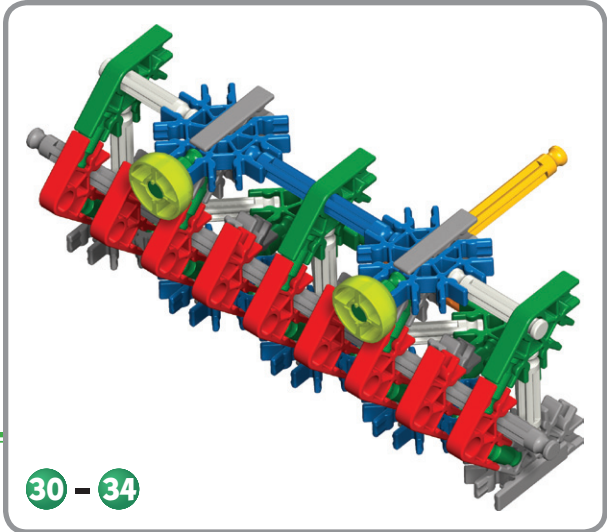
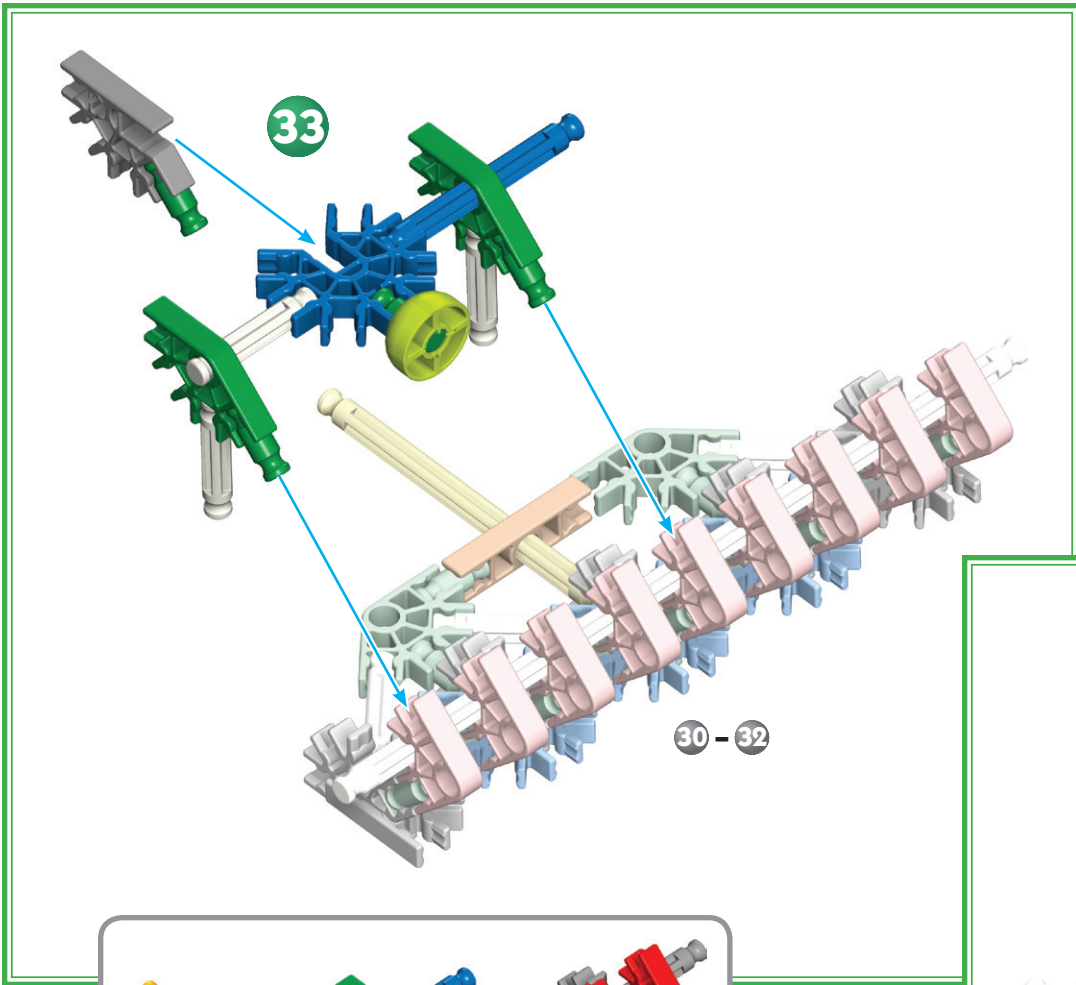


29



1 - 29





Large Sports Car

