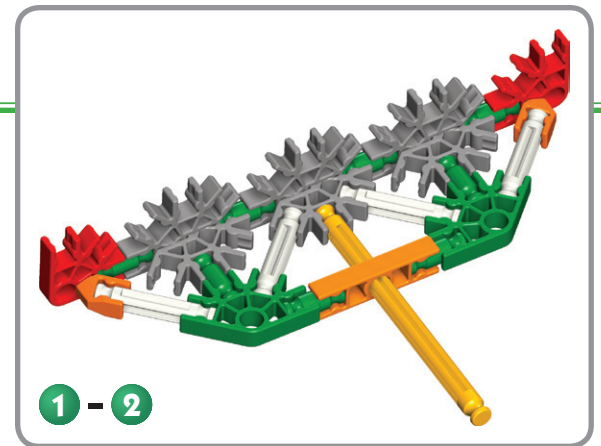
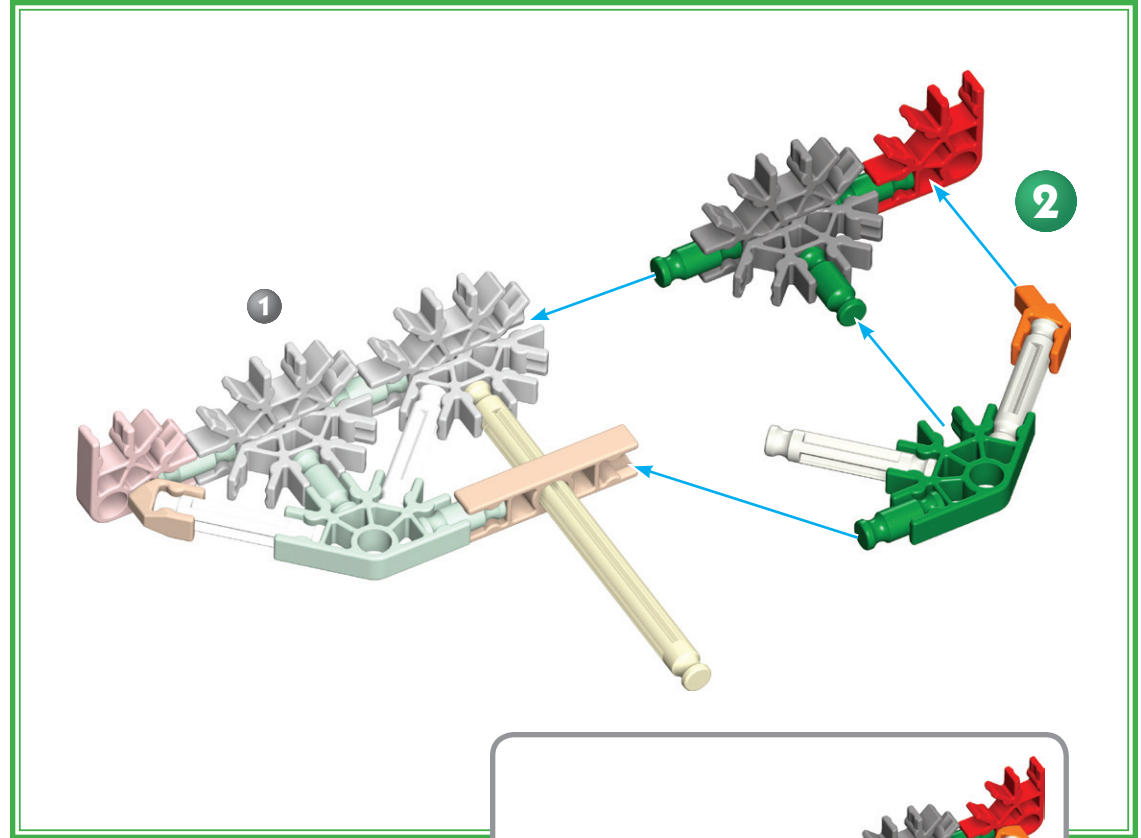
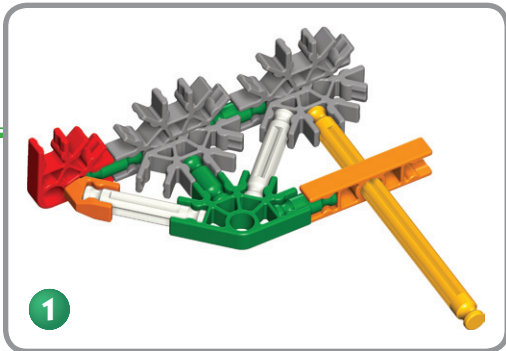
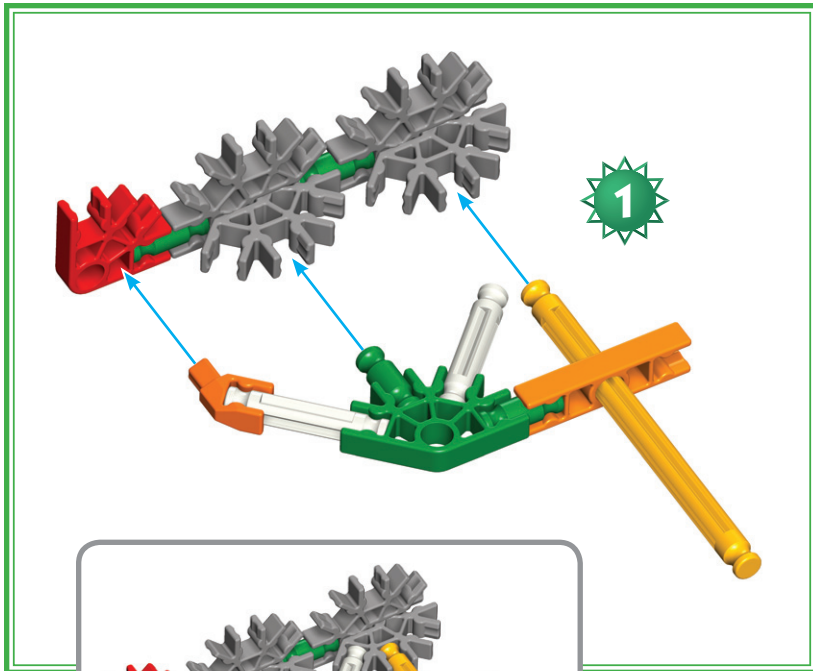
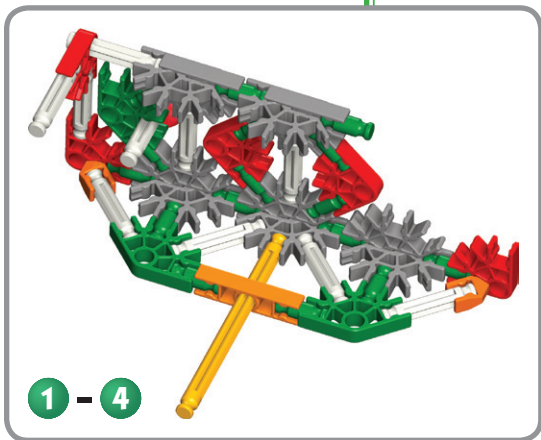
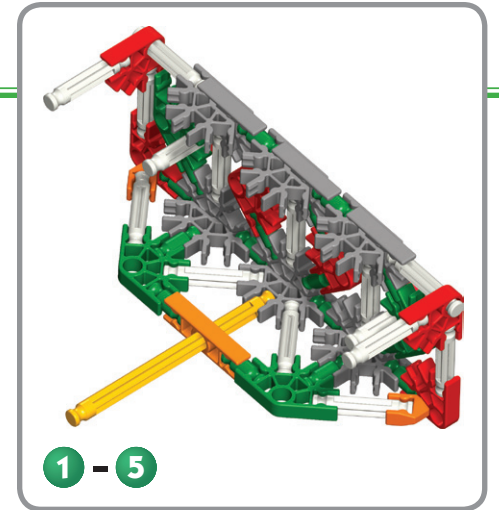
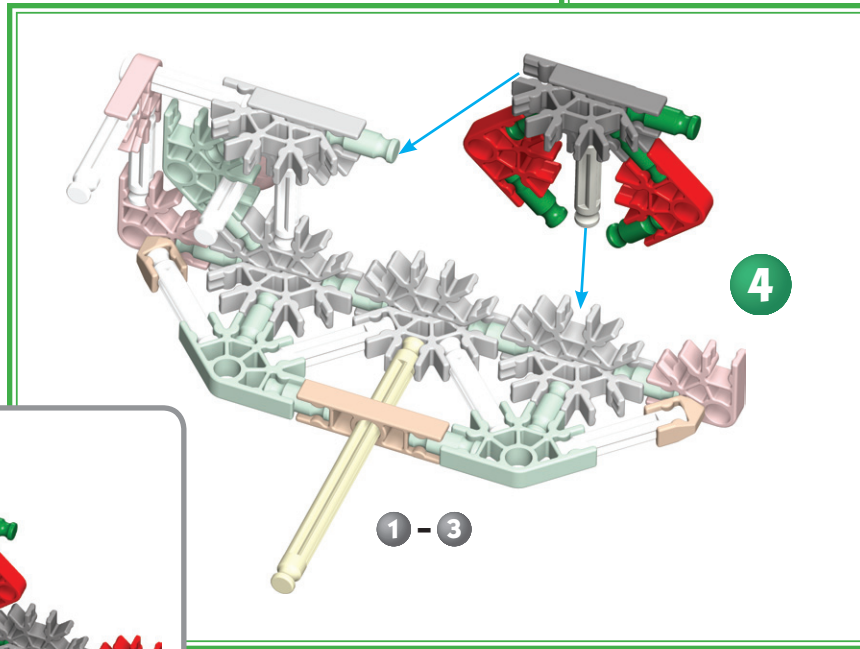
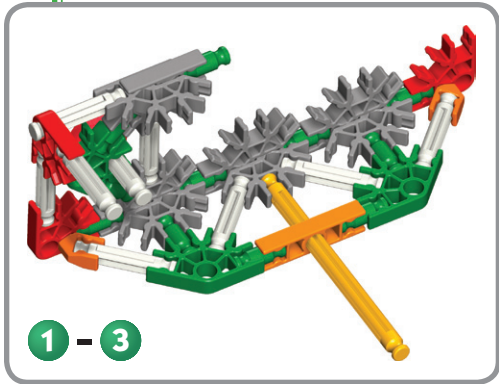
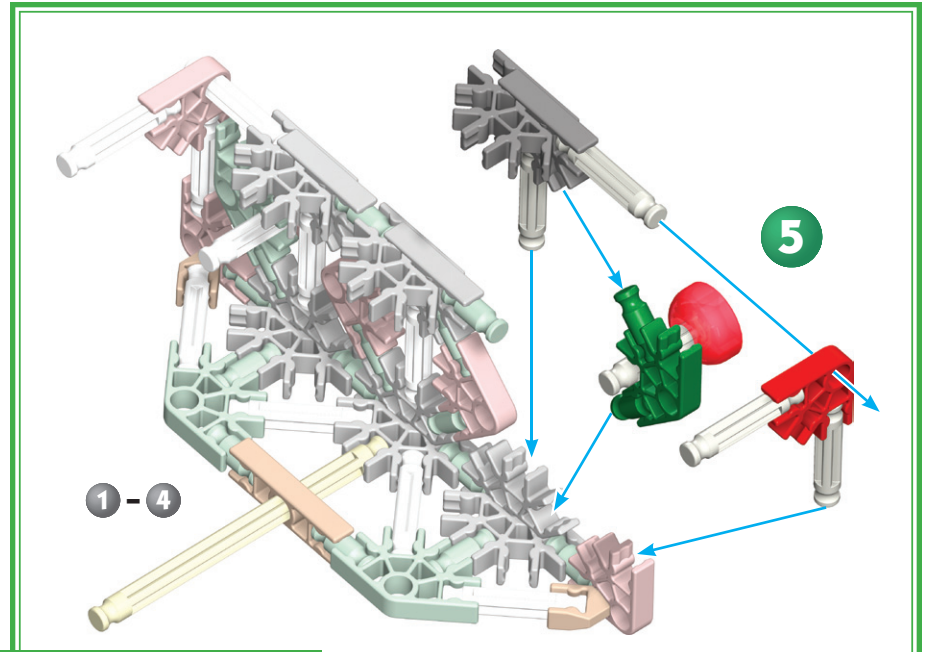
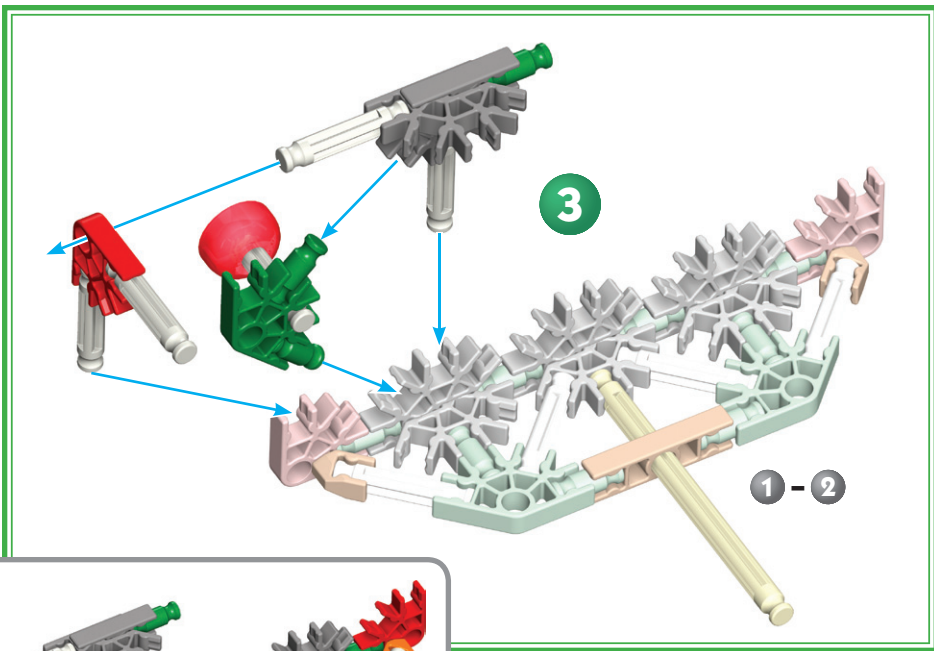
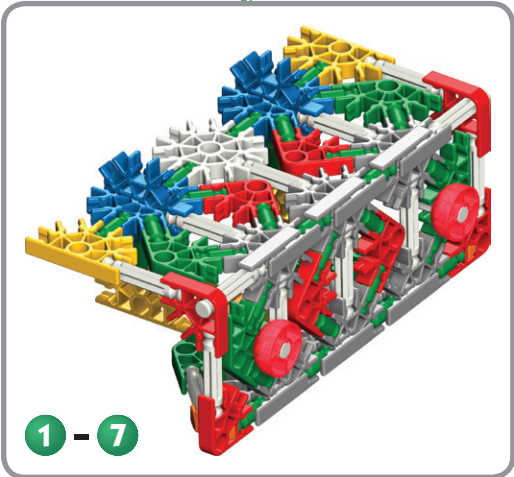
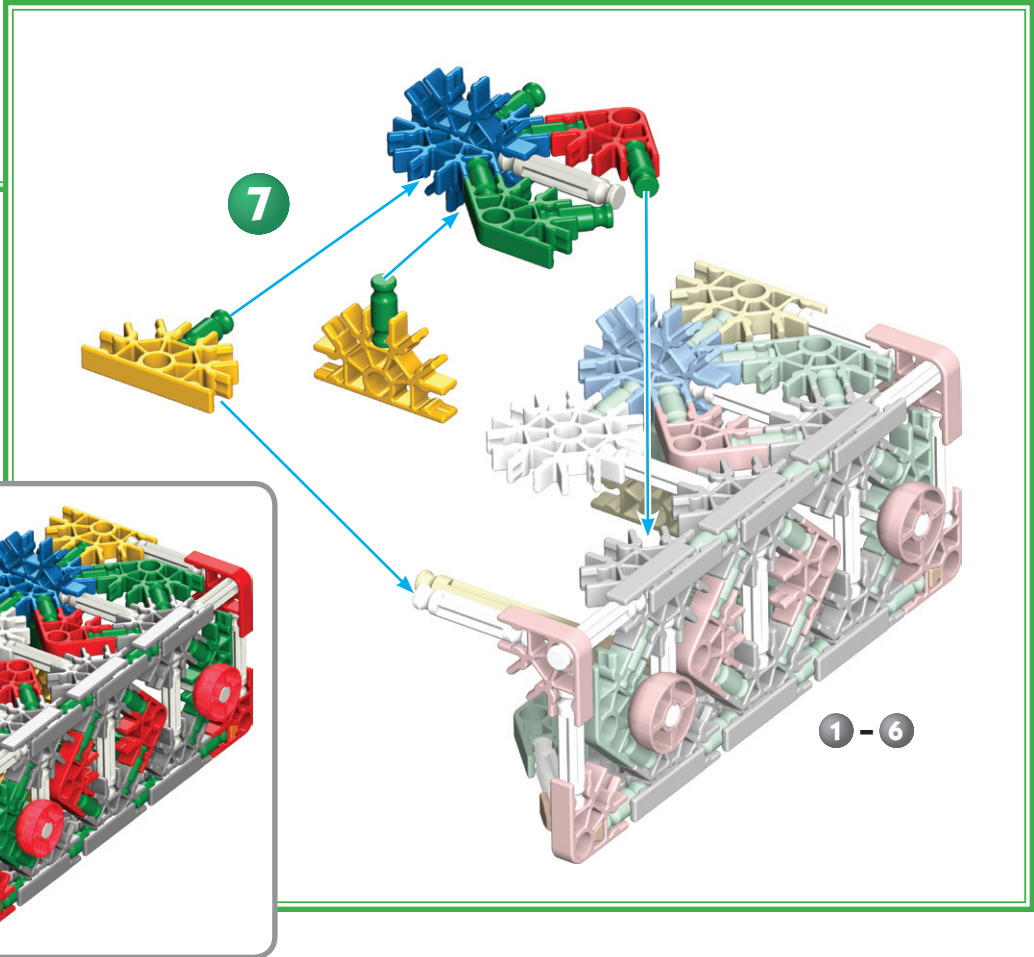
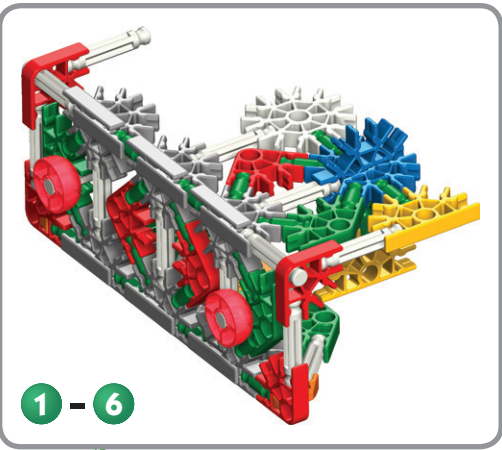
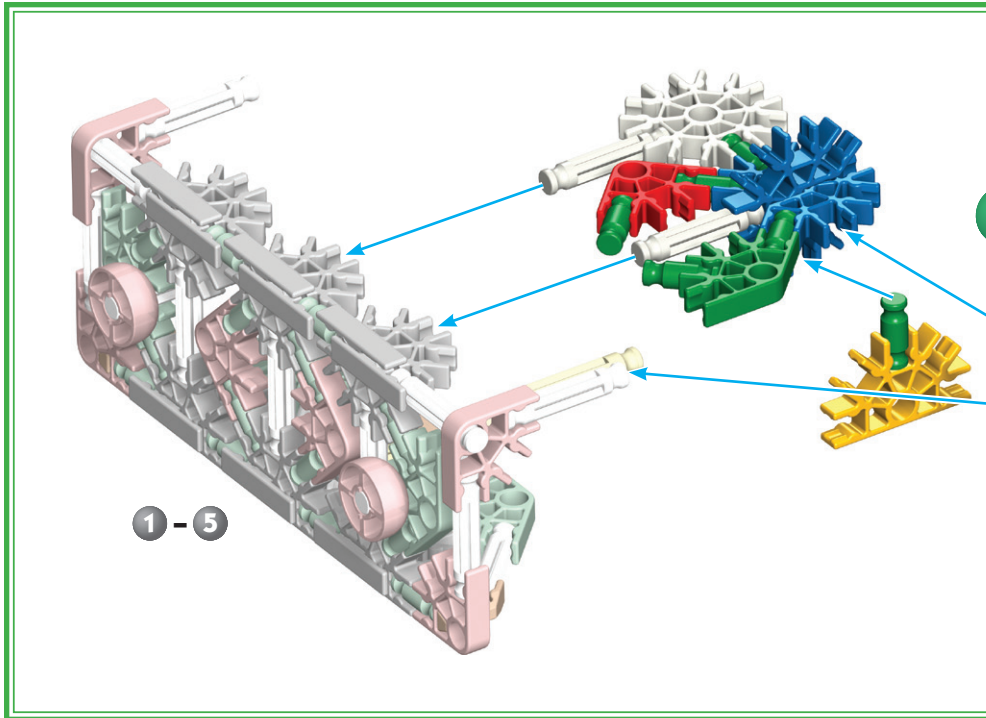
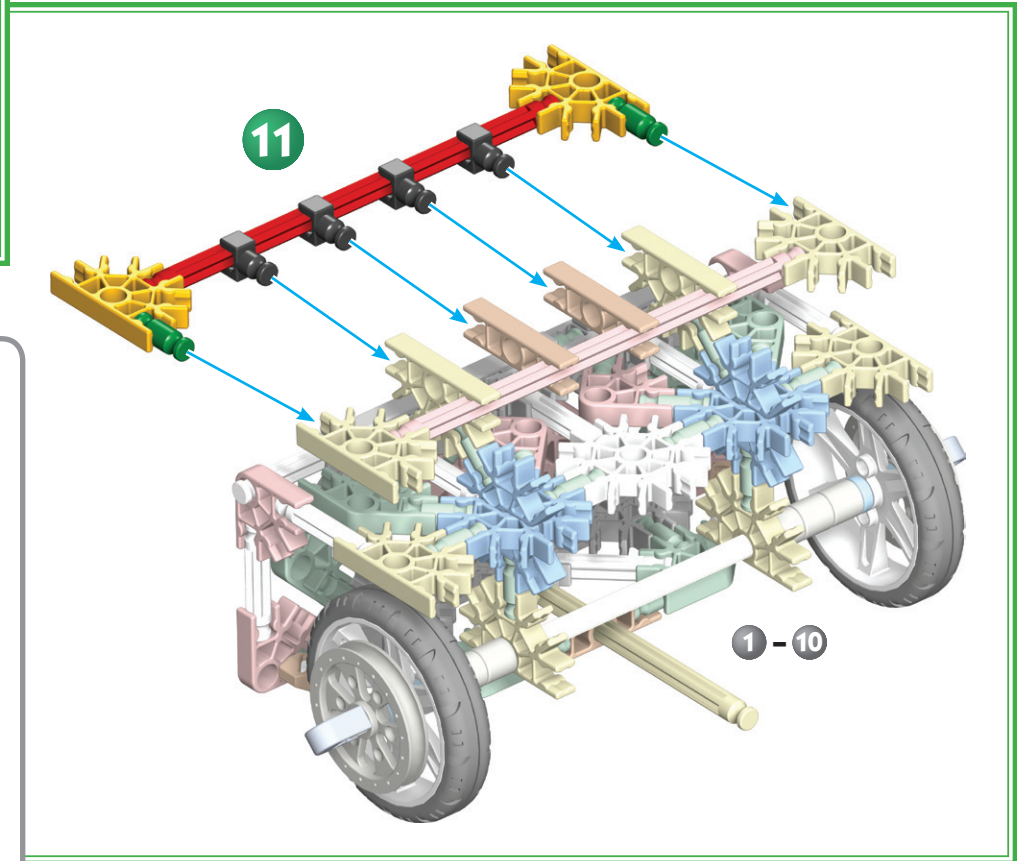
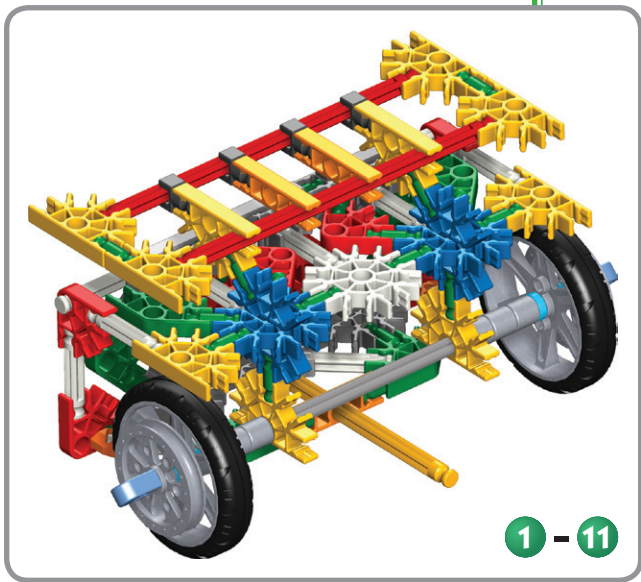
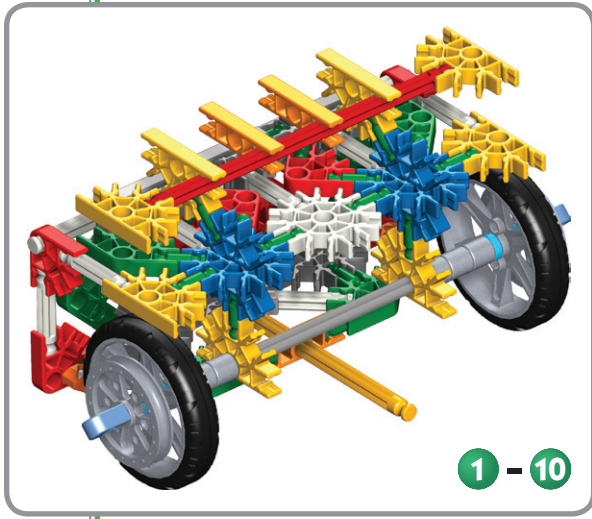
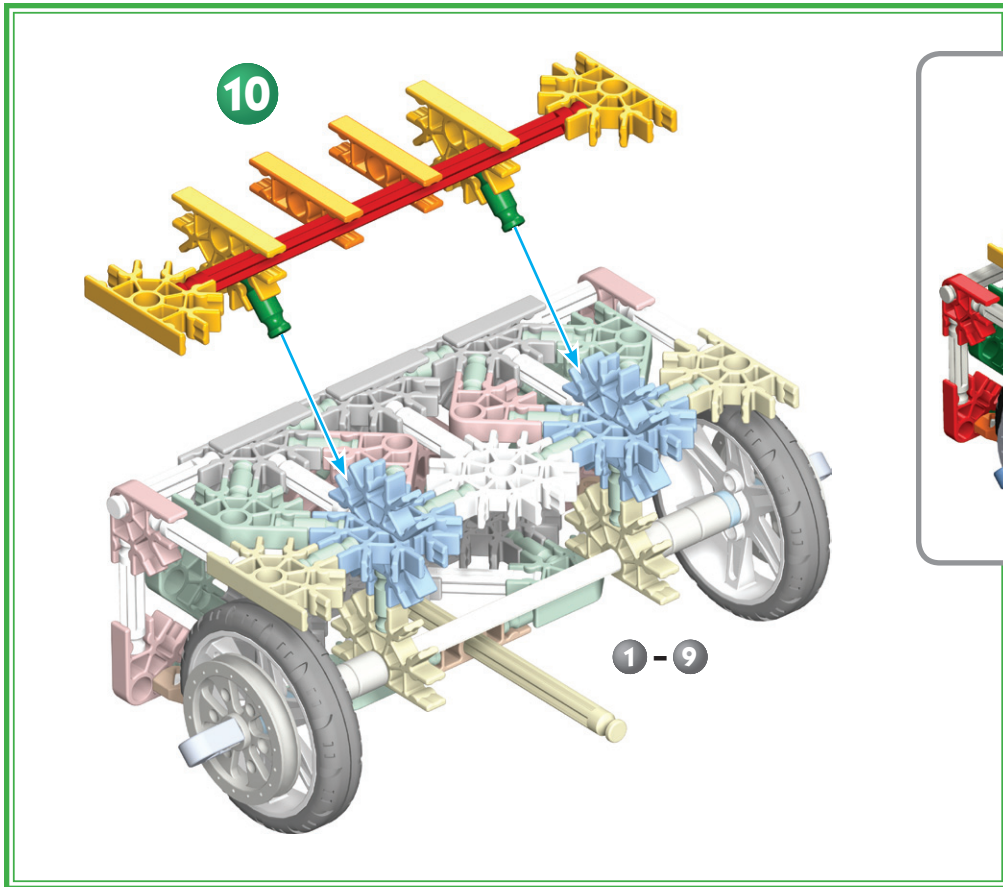


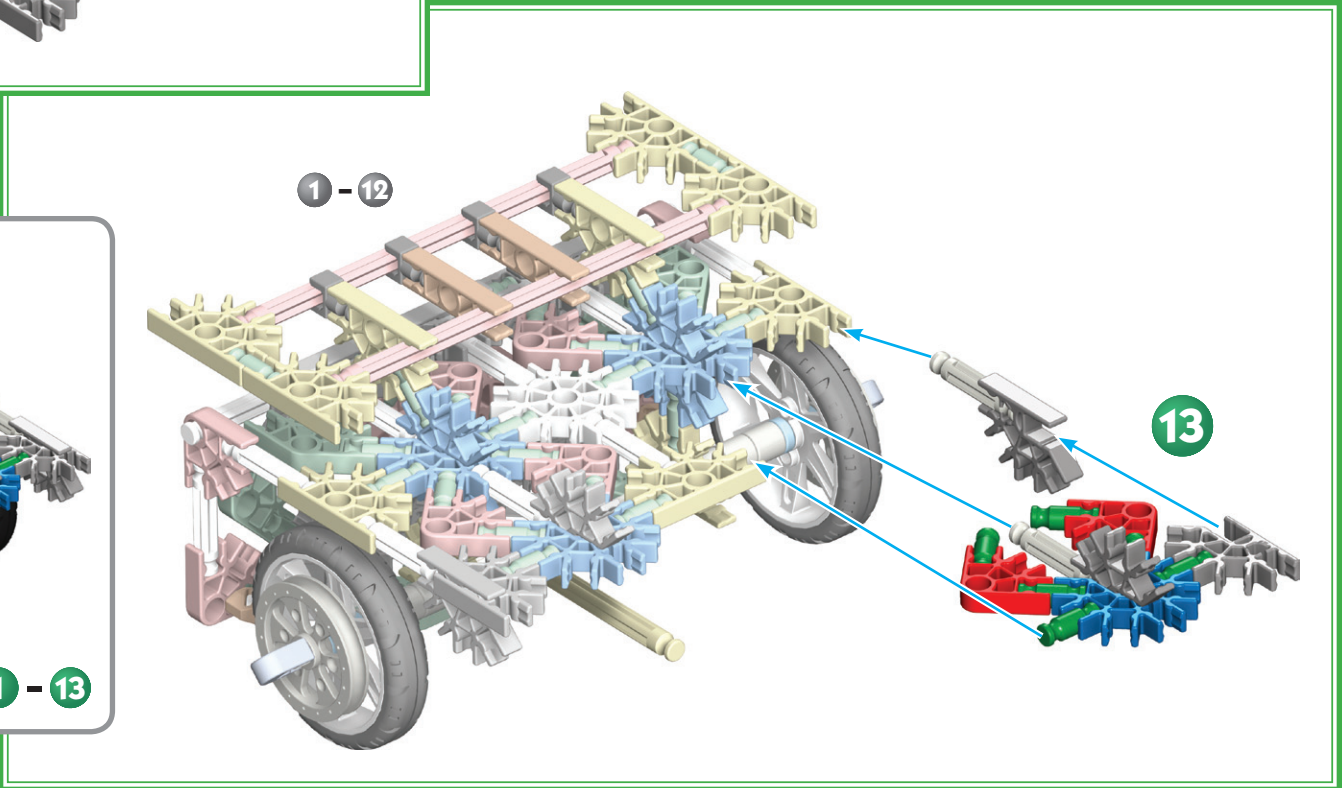
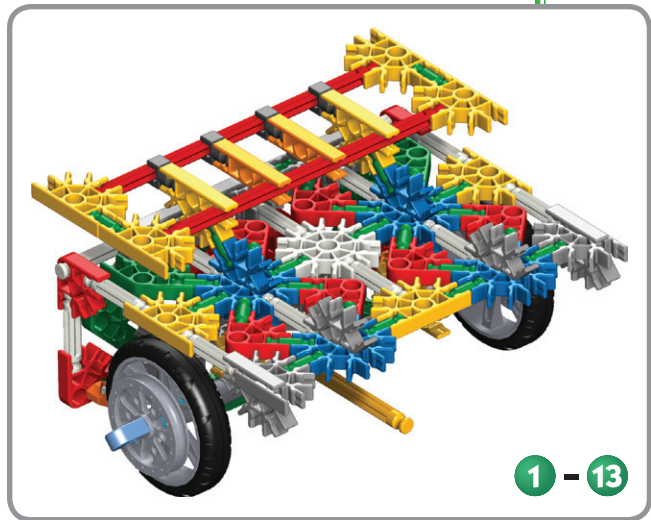
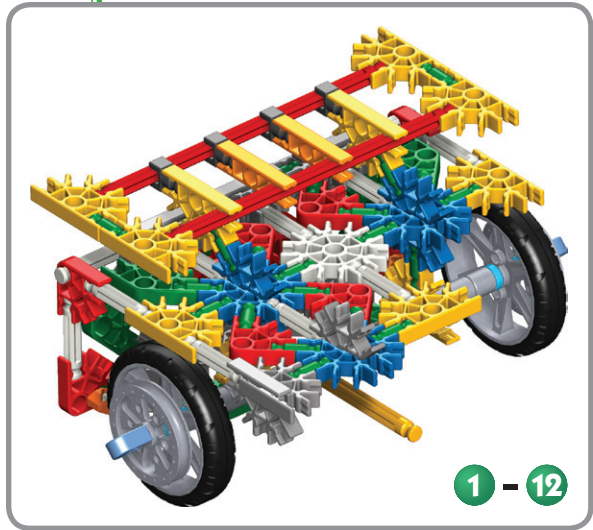
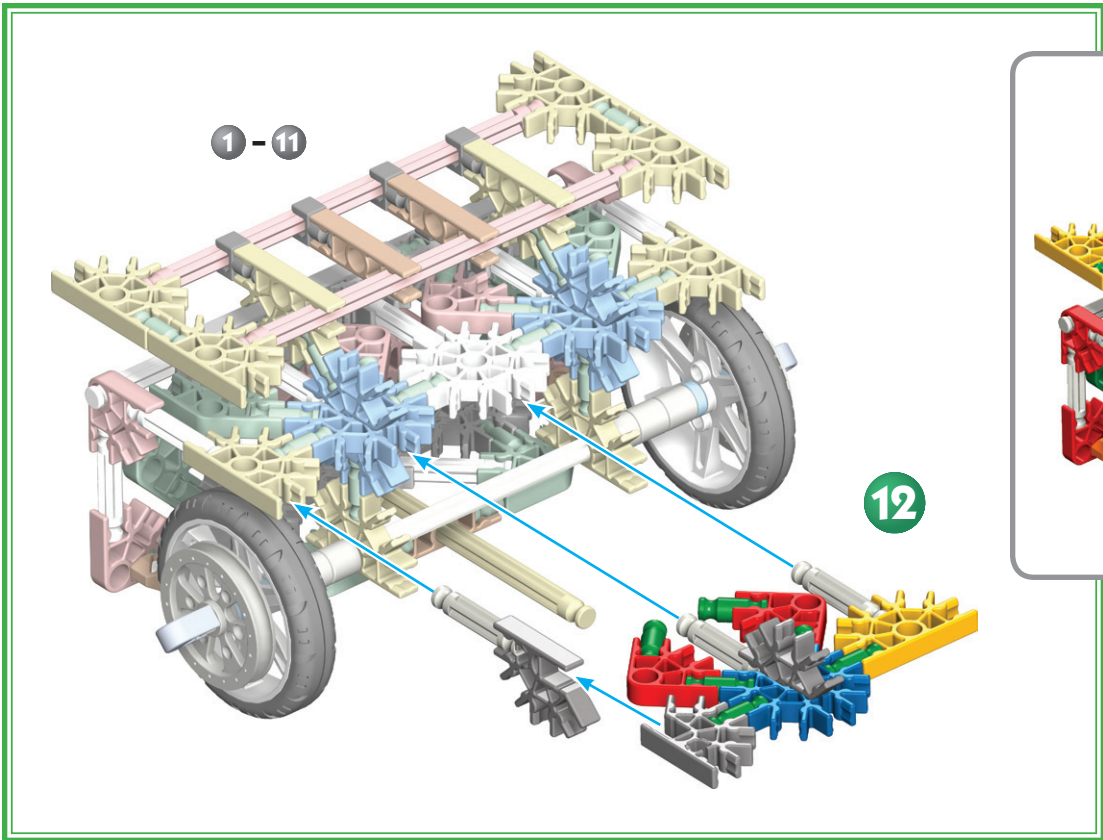
Large Sports Car

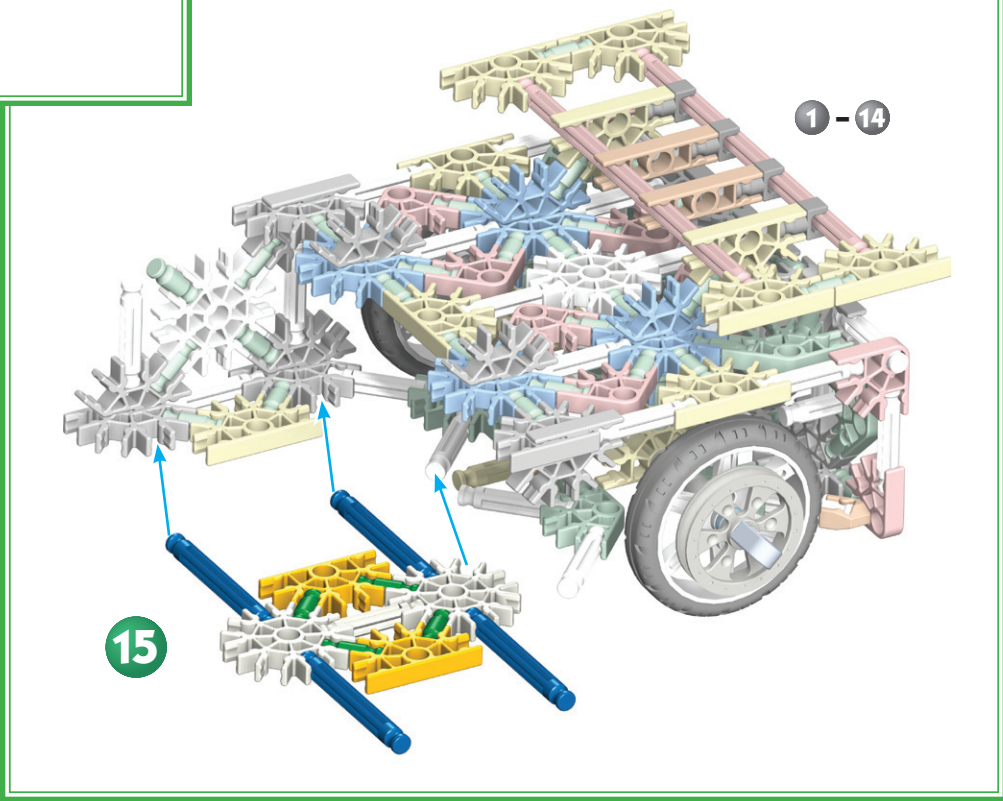
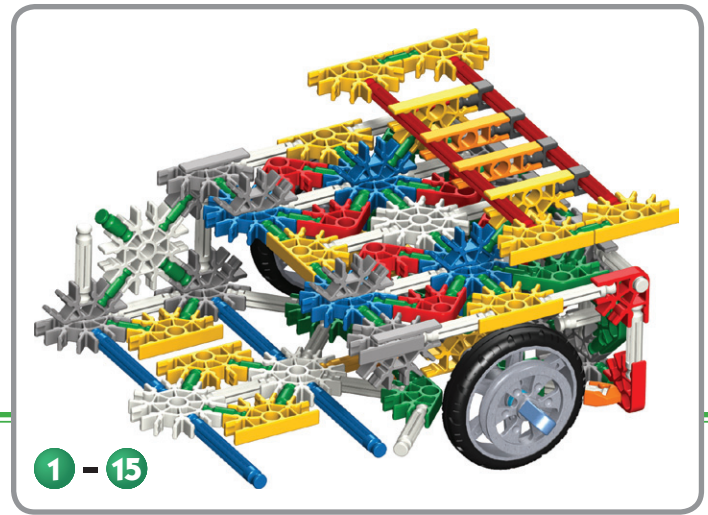
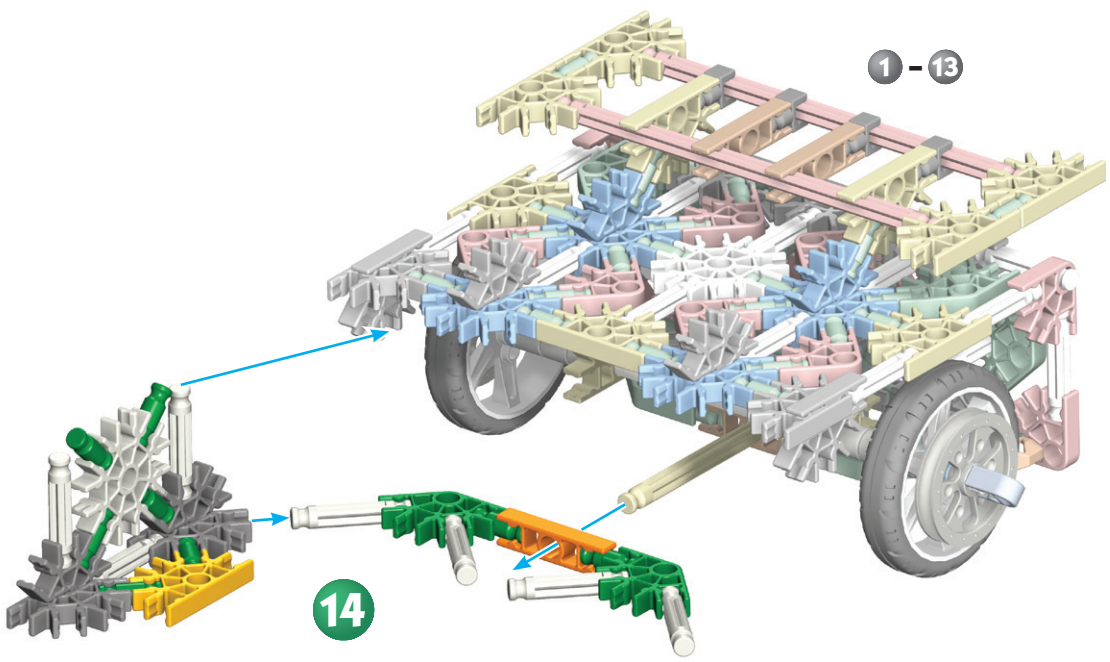


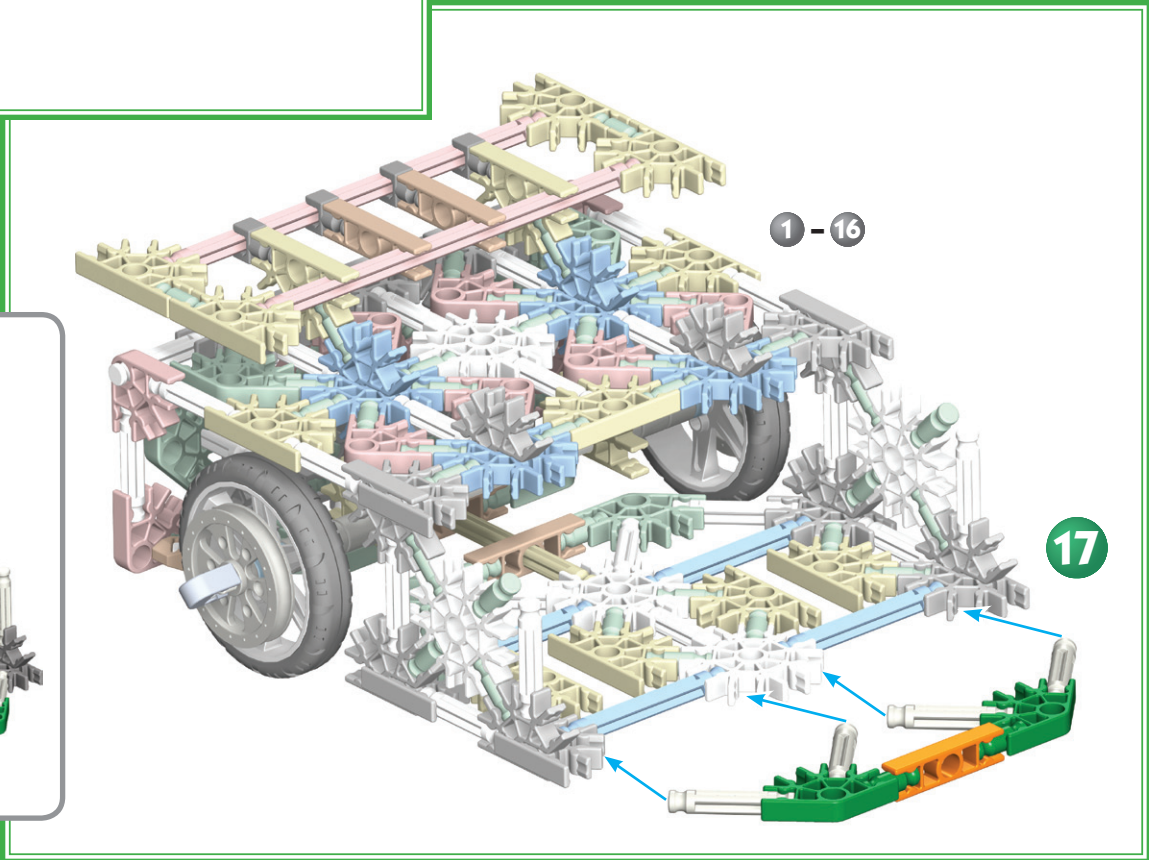
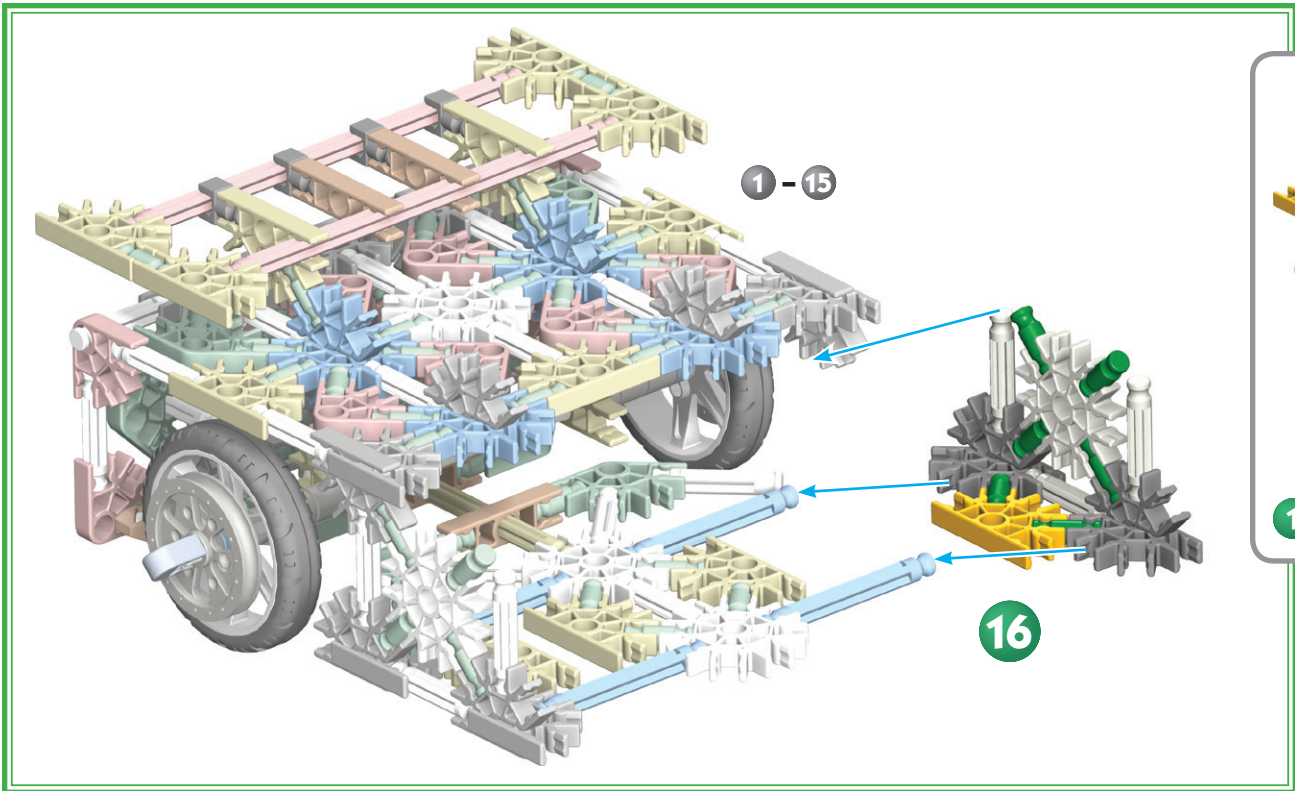


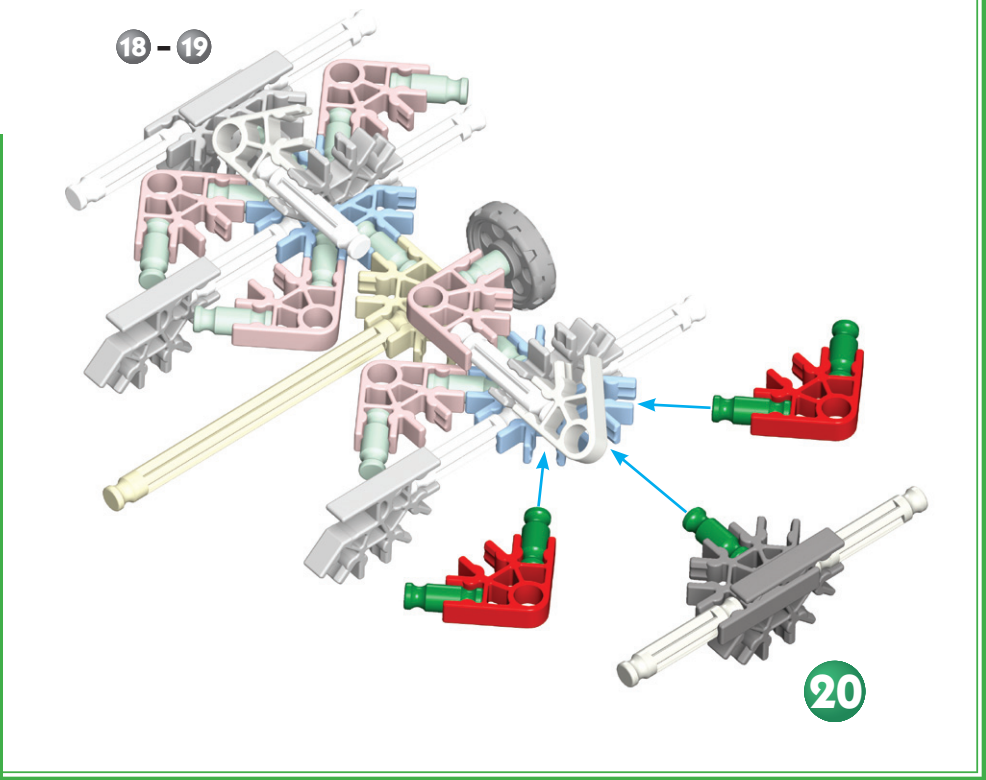
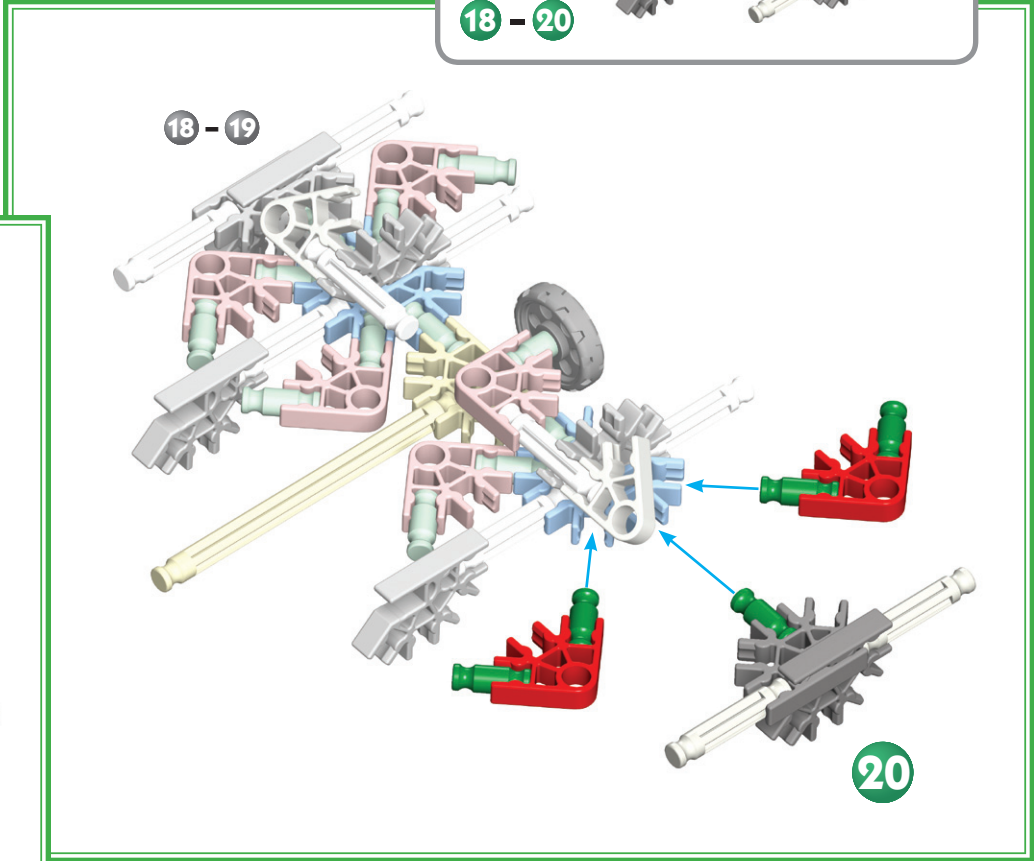
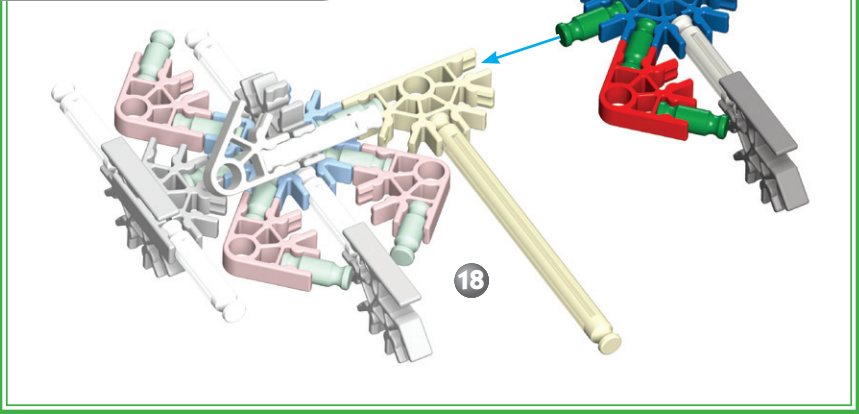
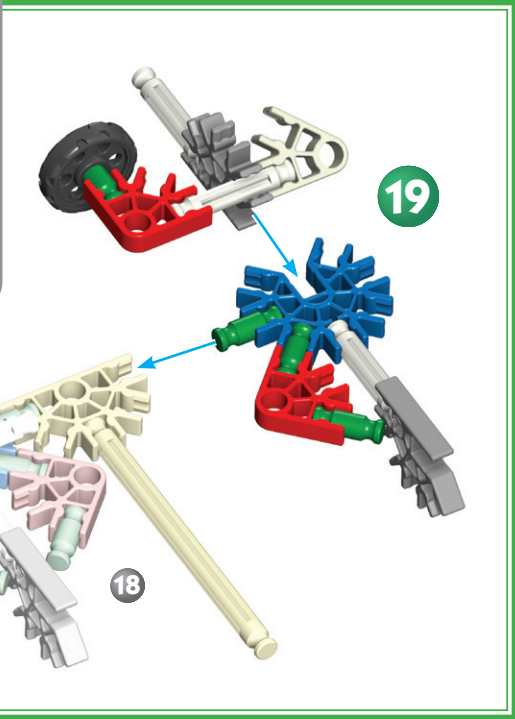
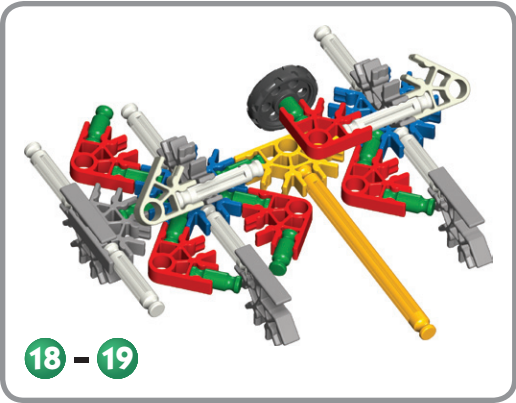
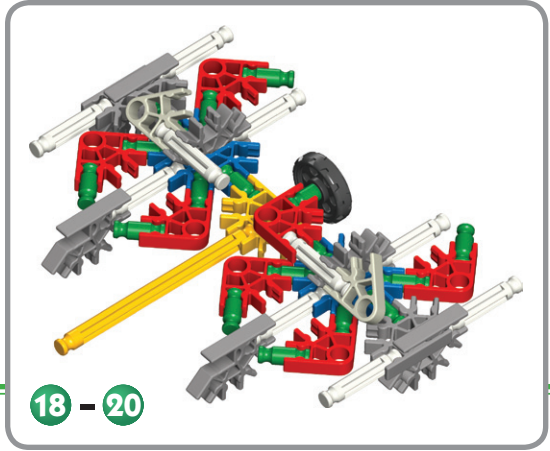
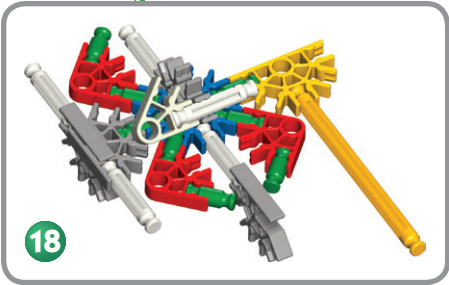
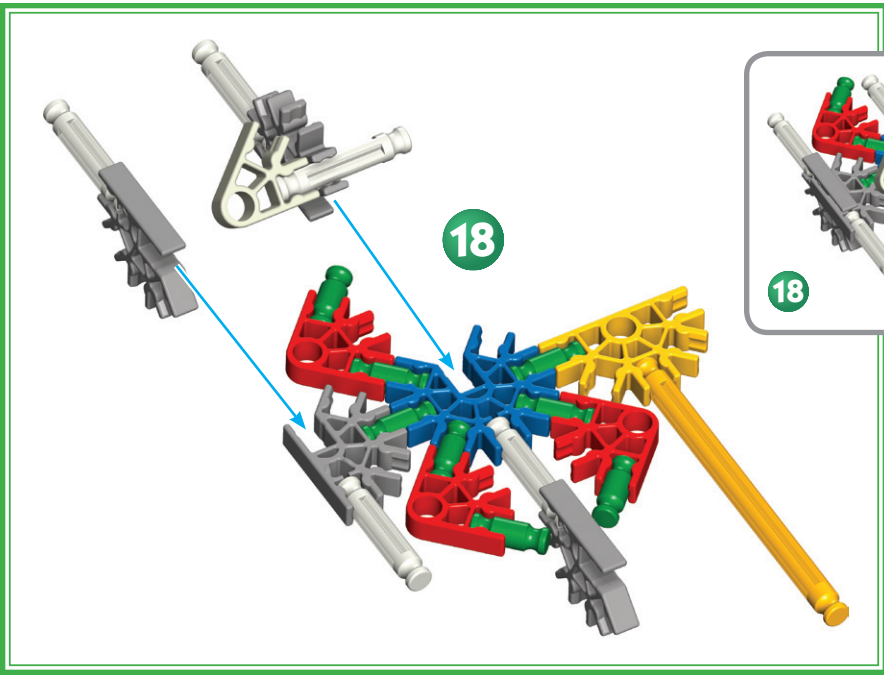


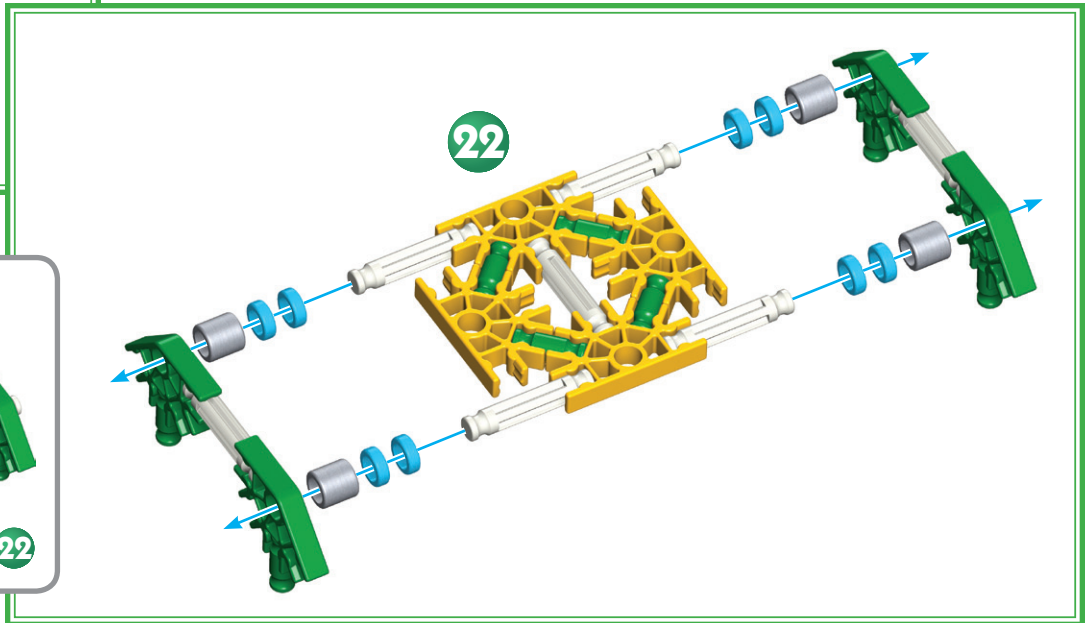
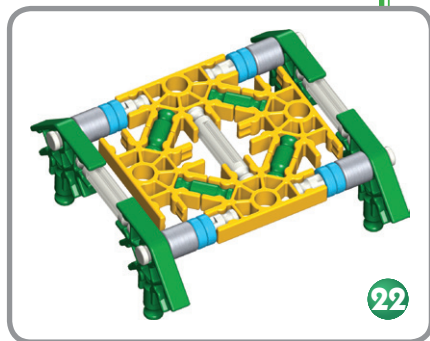
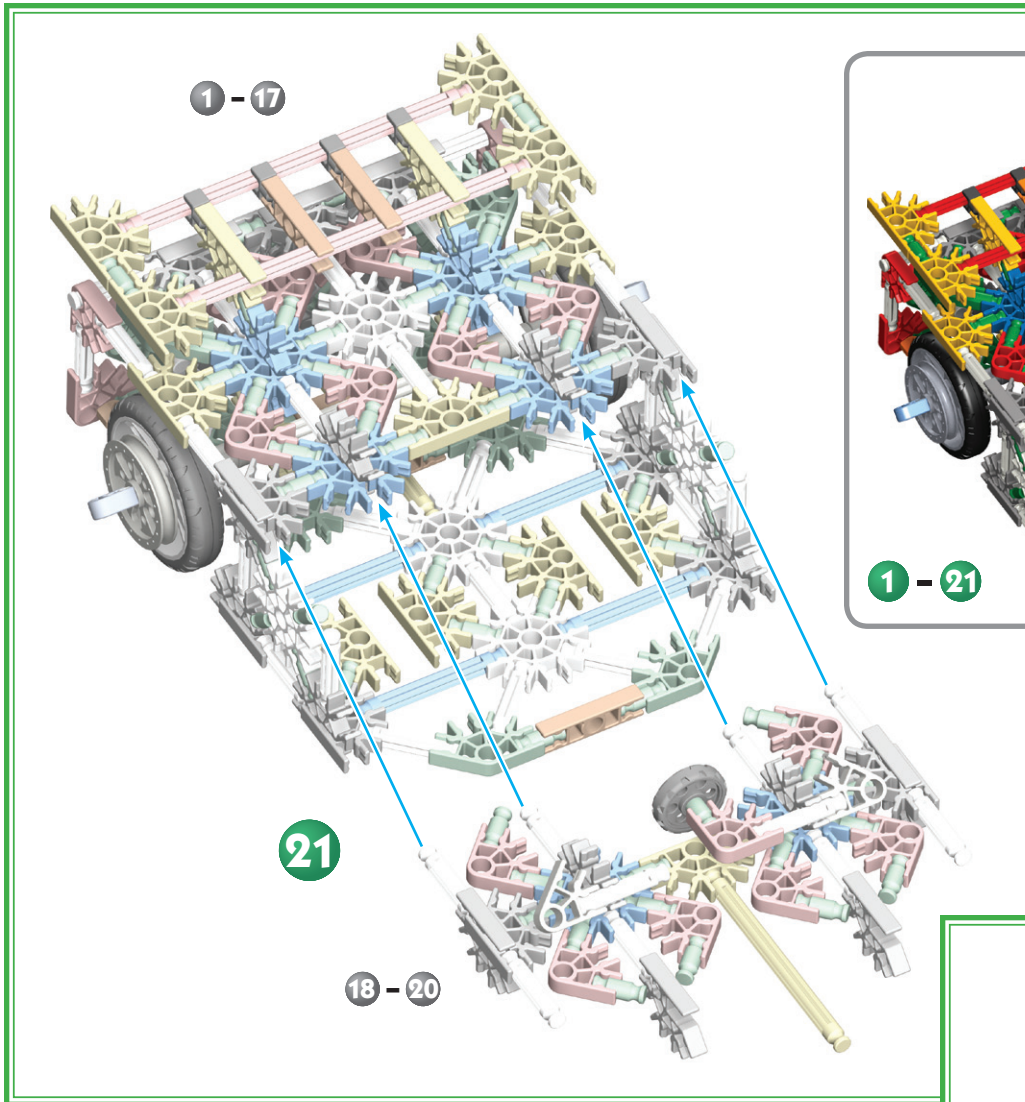


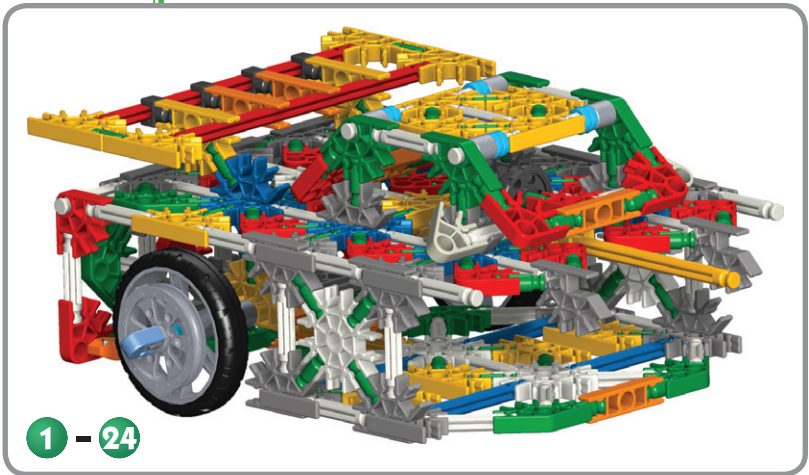
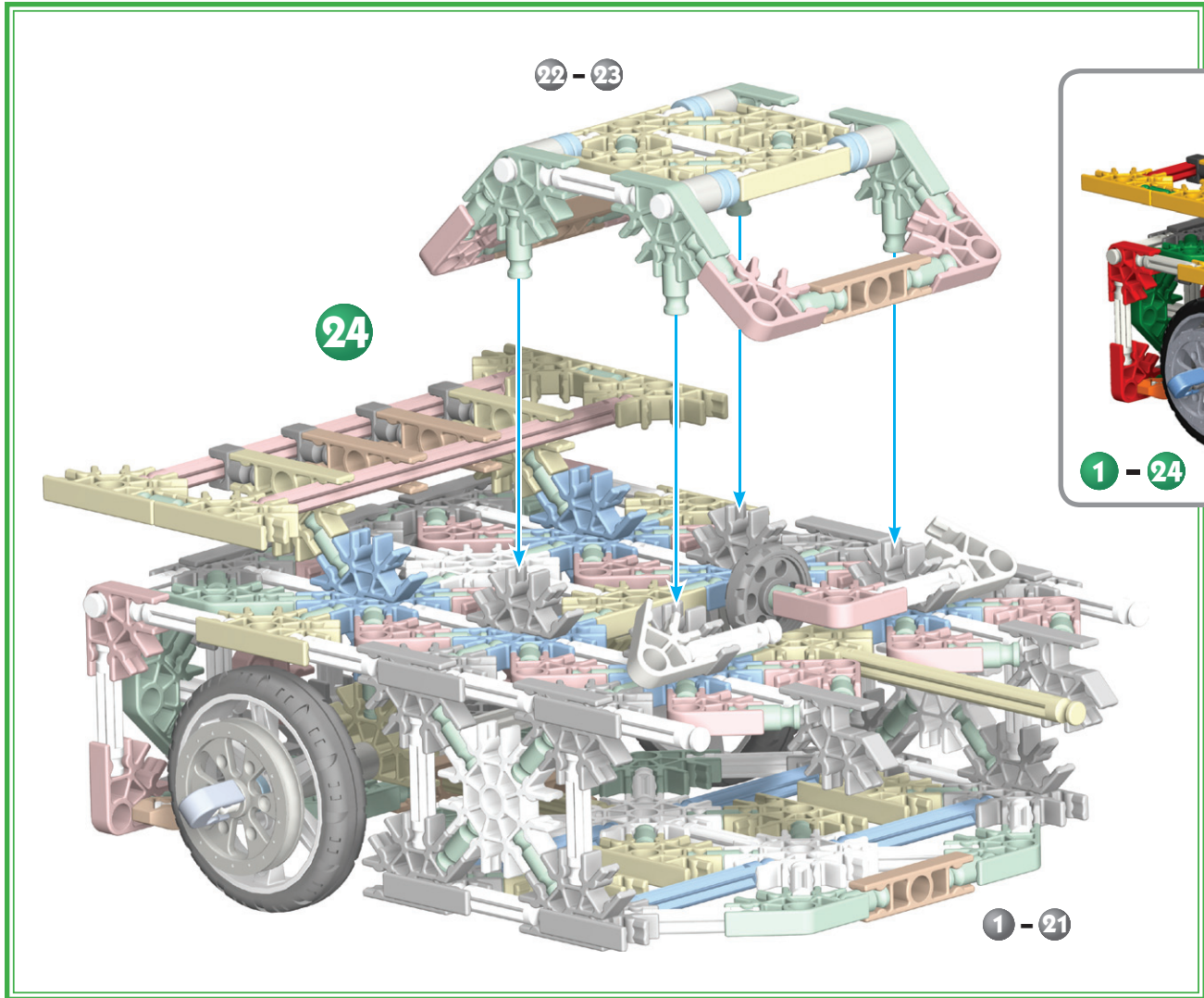
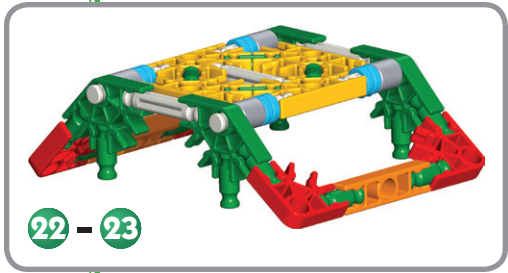
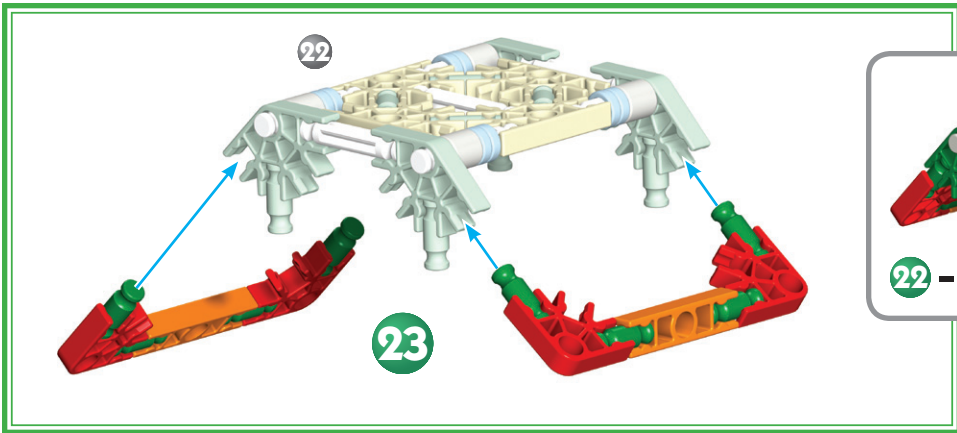


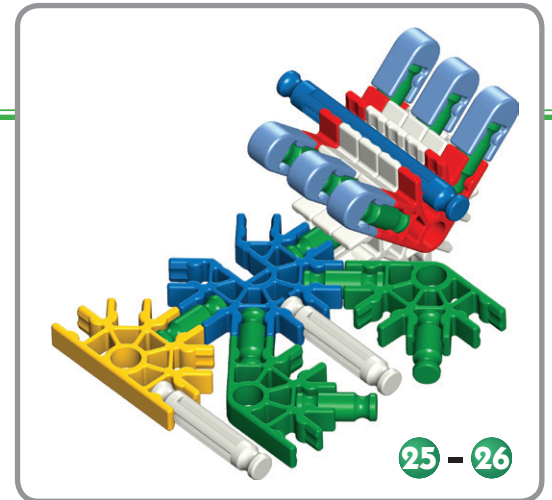
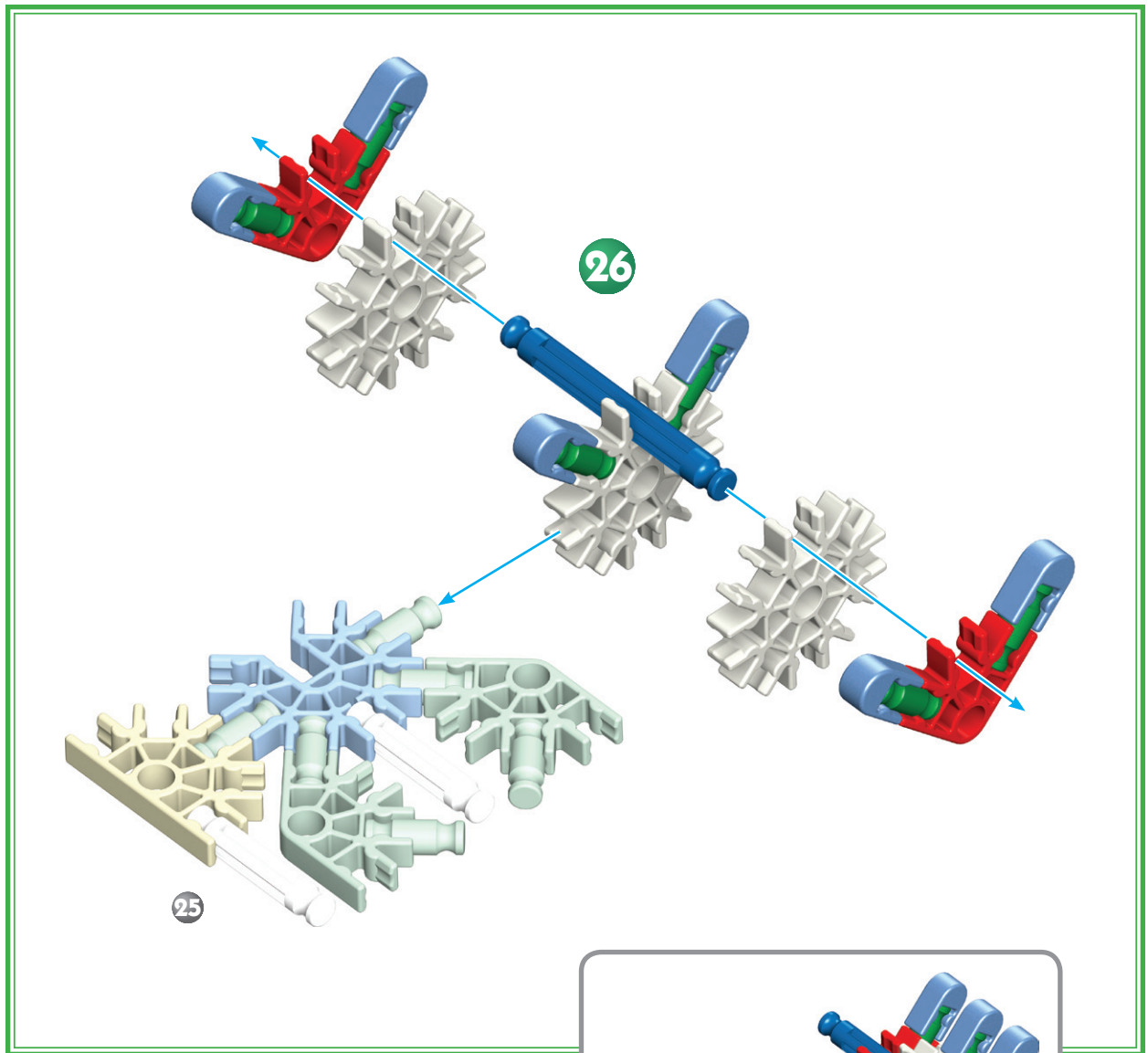


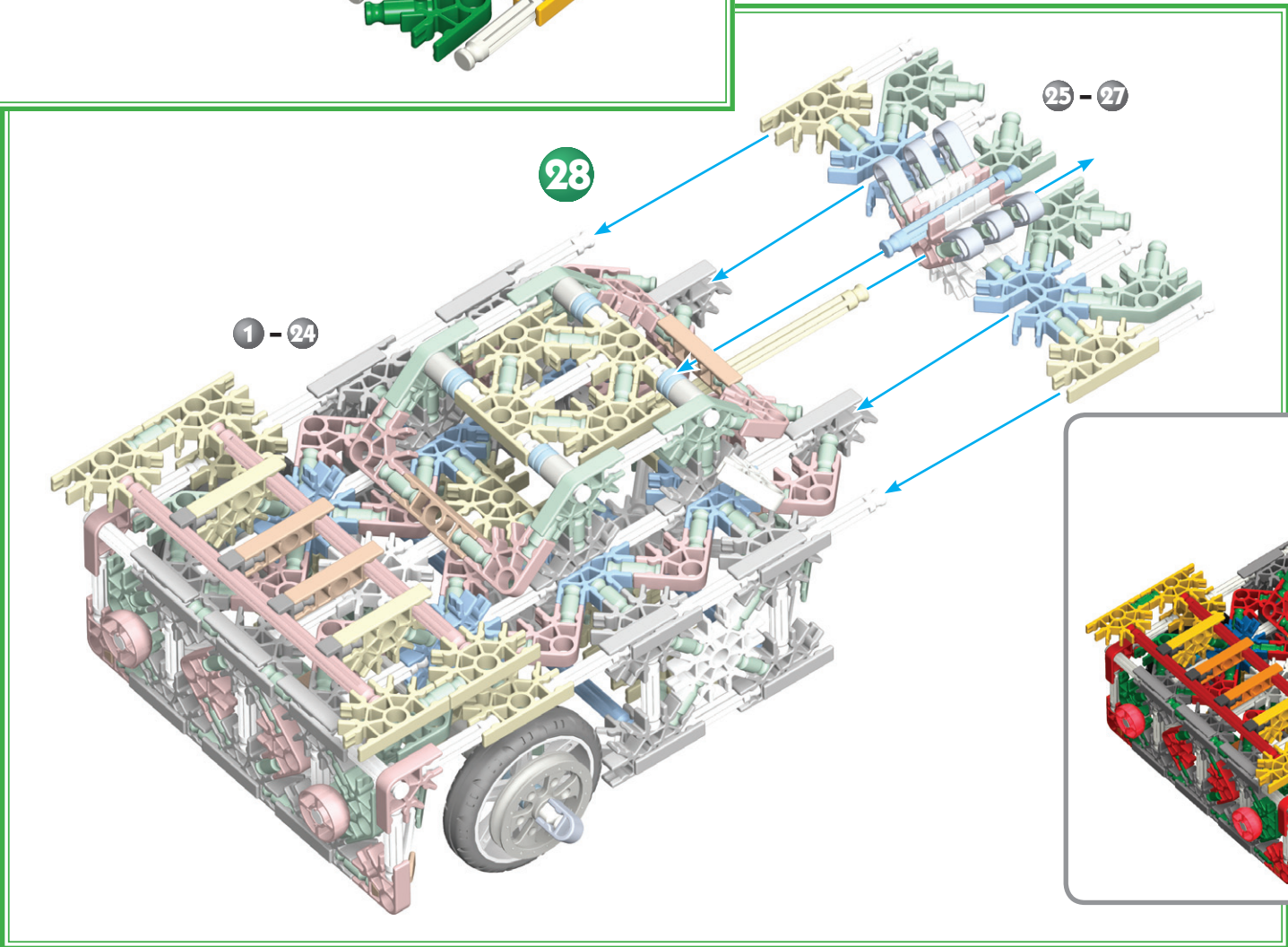
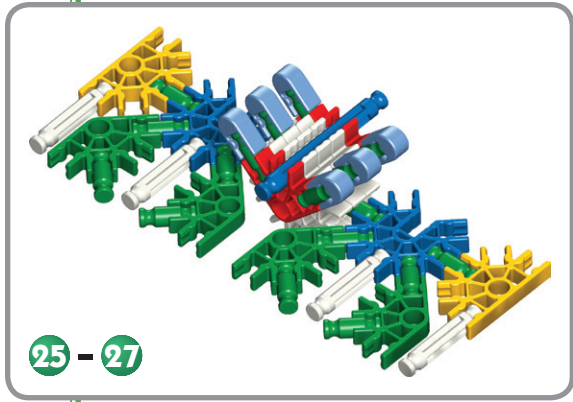
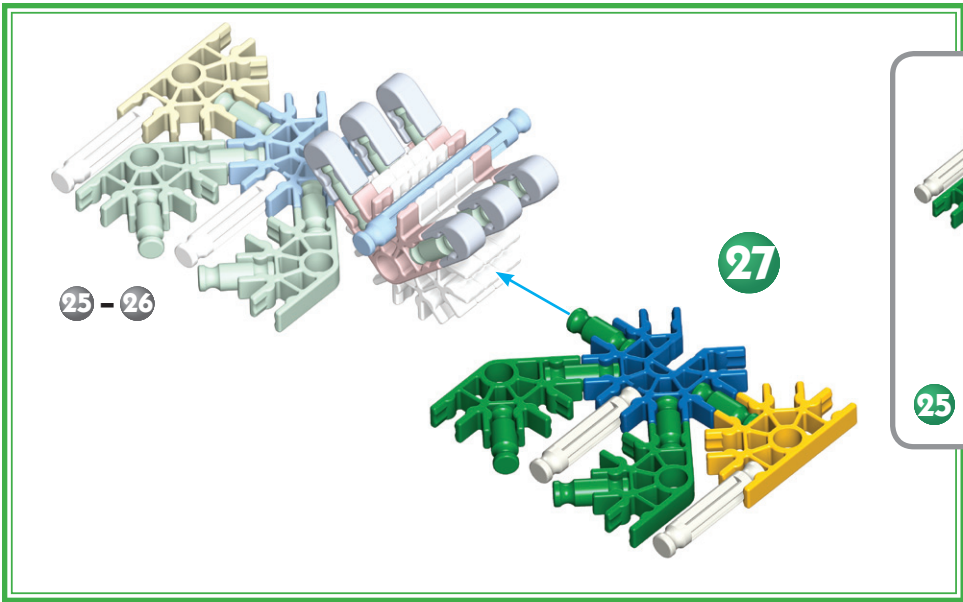




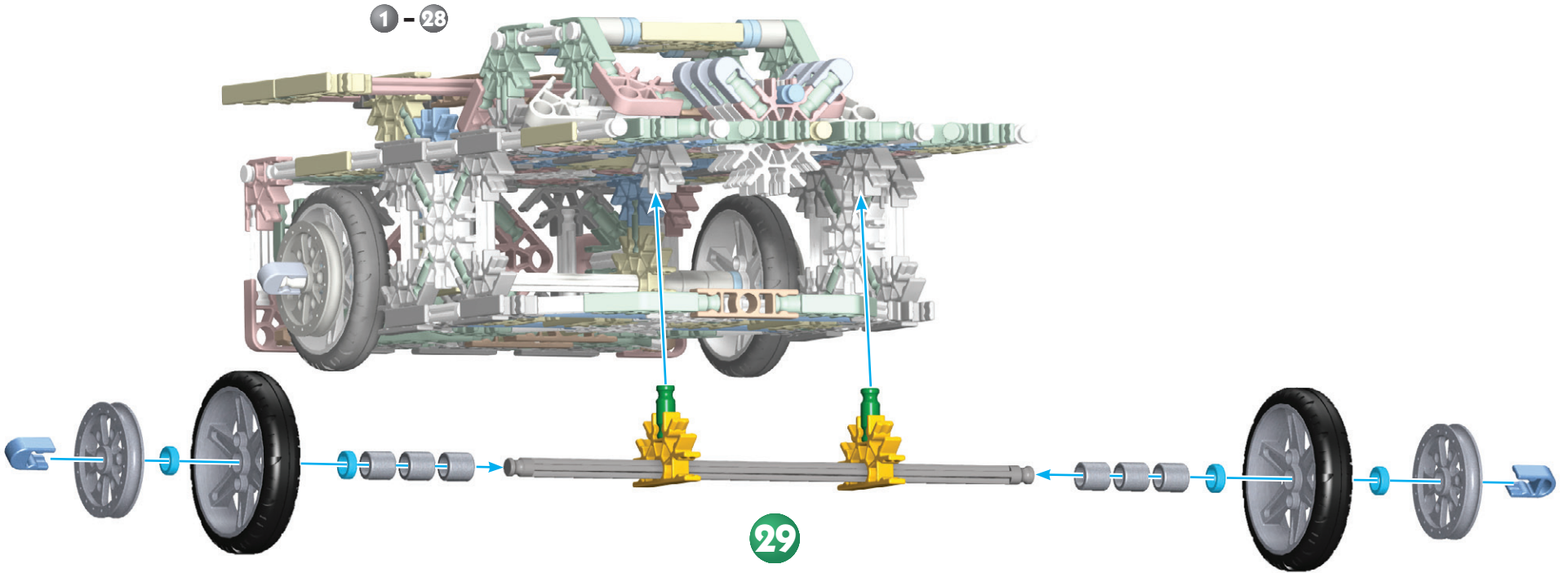


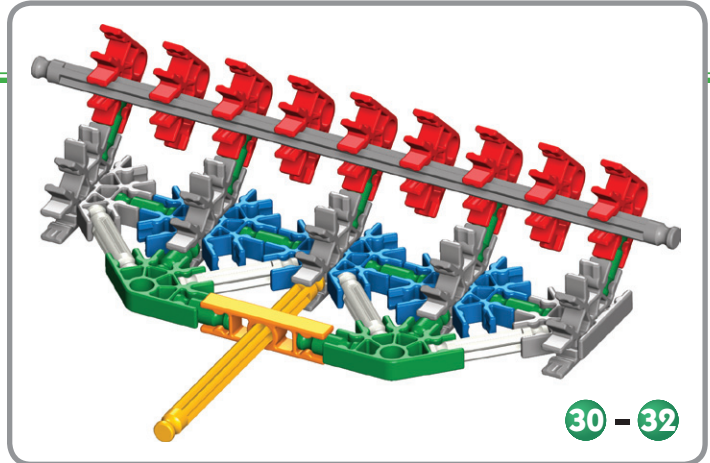
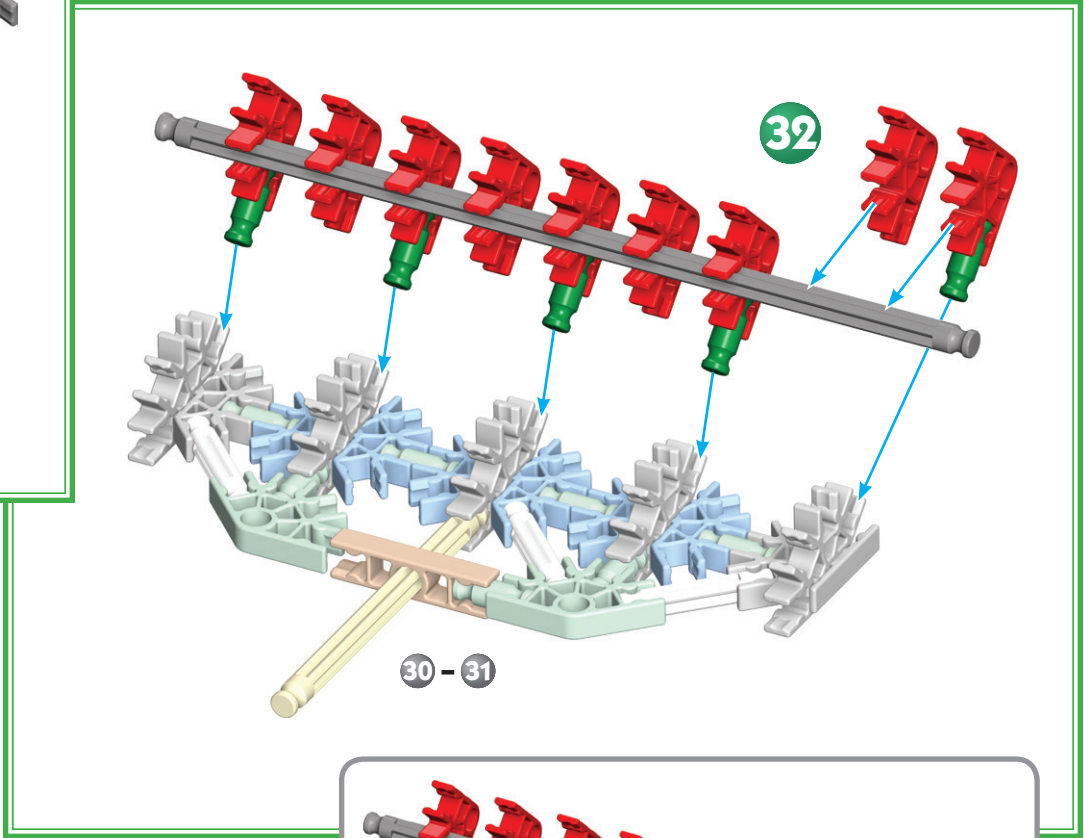
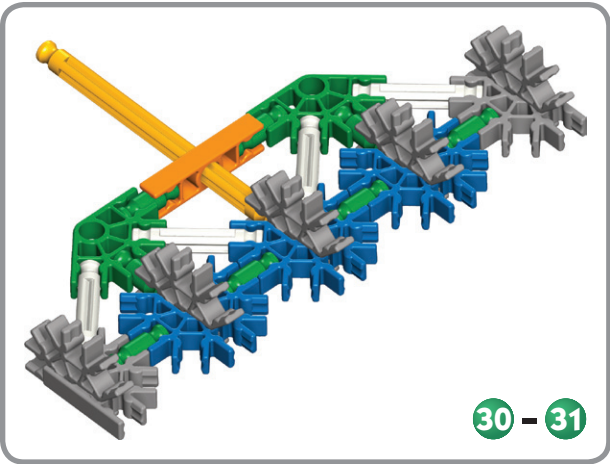
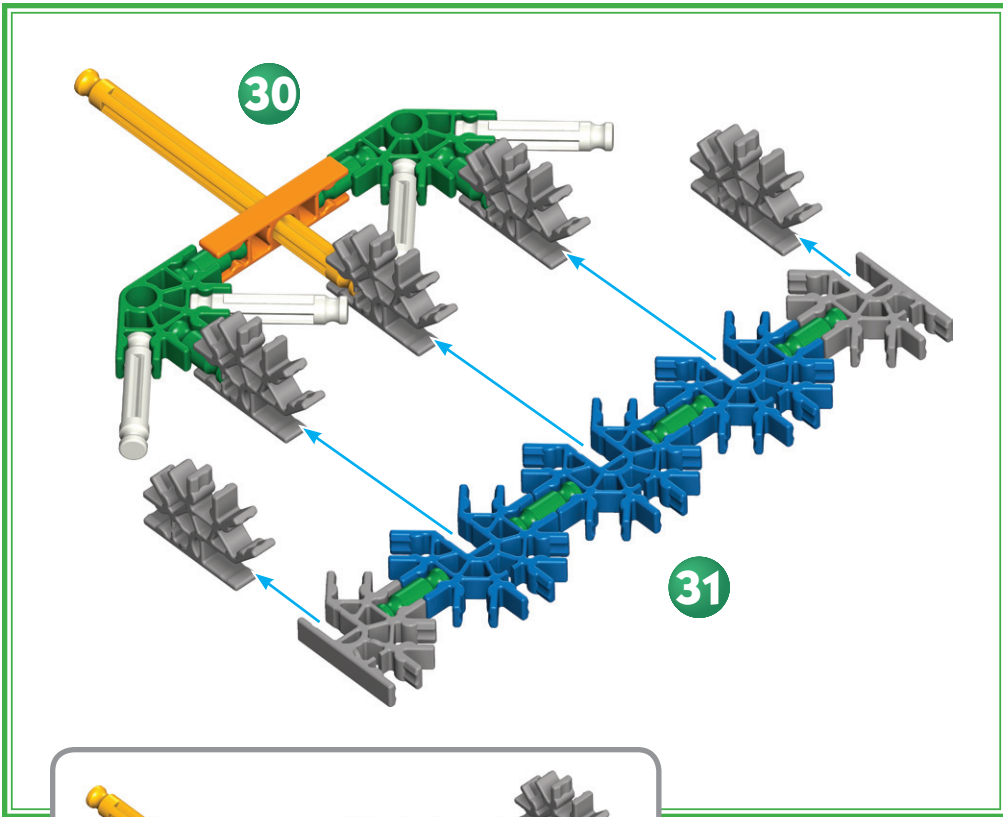


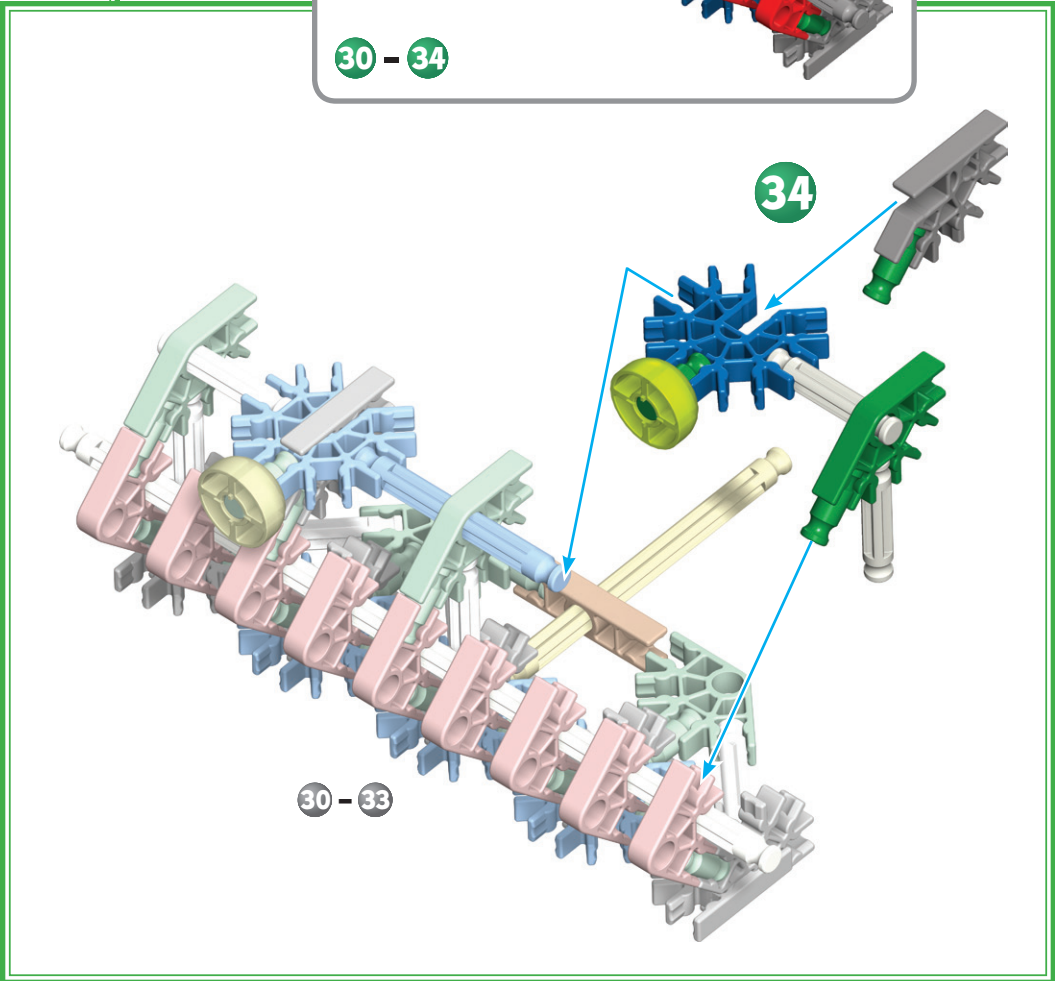
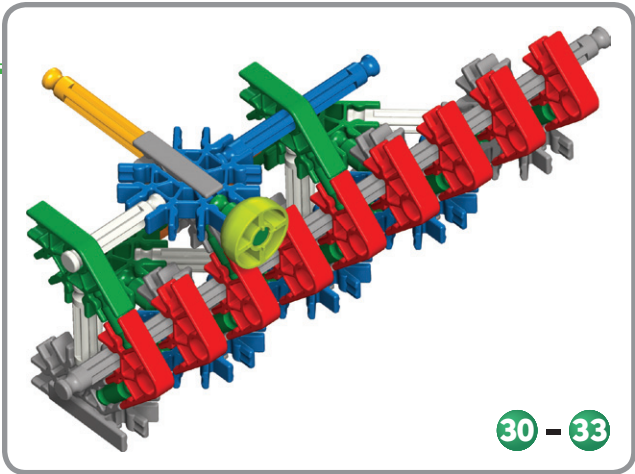
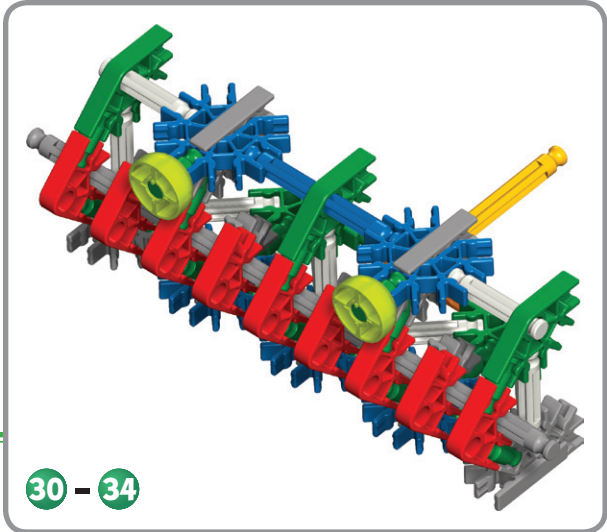
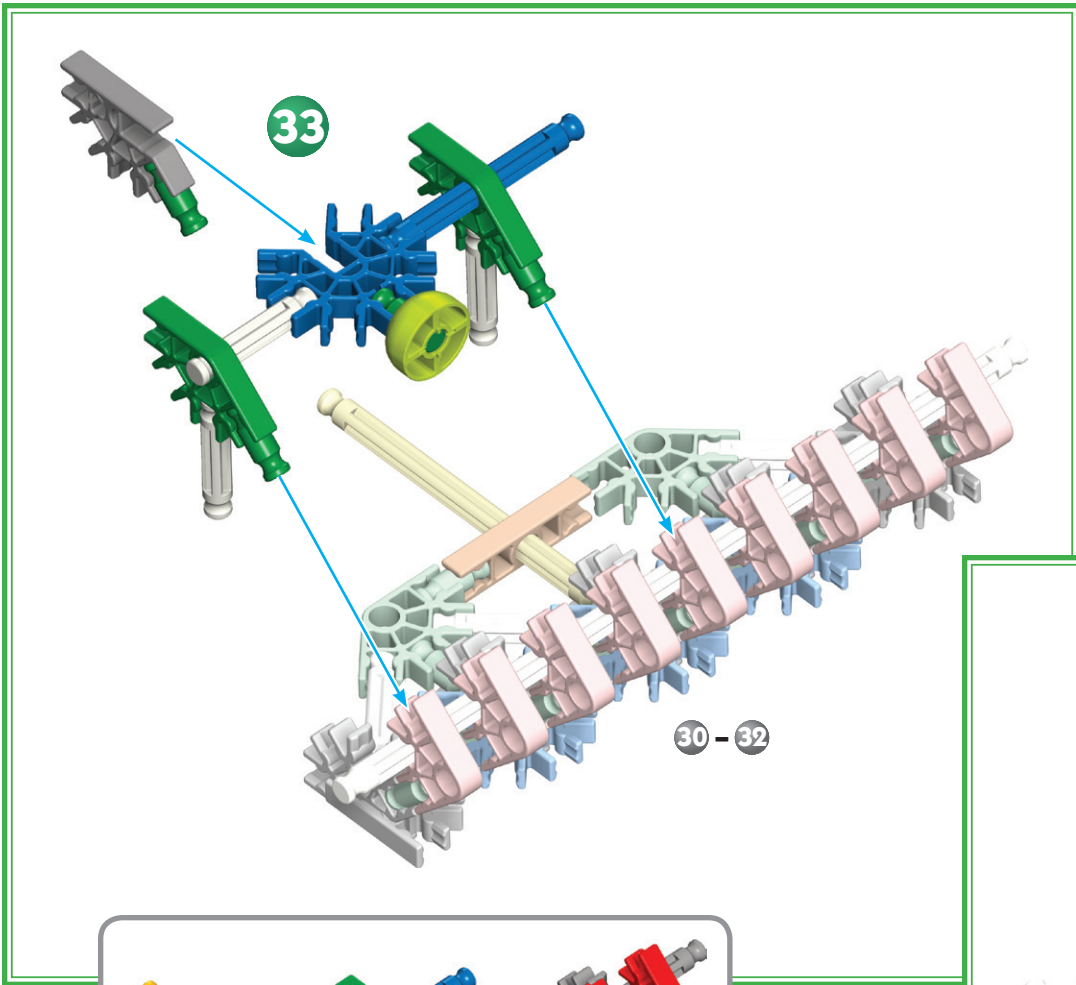




1 - 28







Large Sports Car

