

COMBAT CREW 5-IN-1 TANK



1

Did you install 2 AA (or LR6) batteries in the motor?

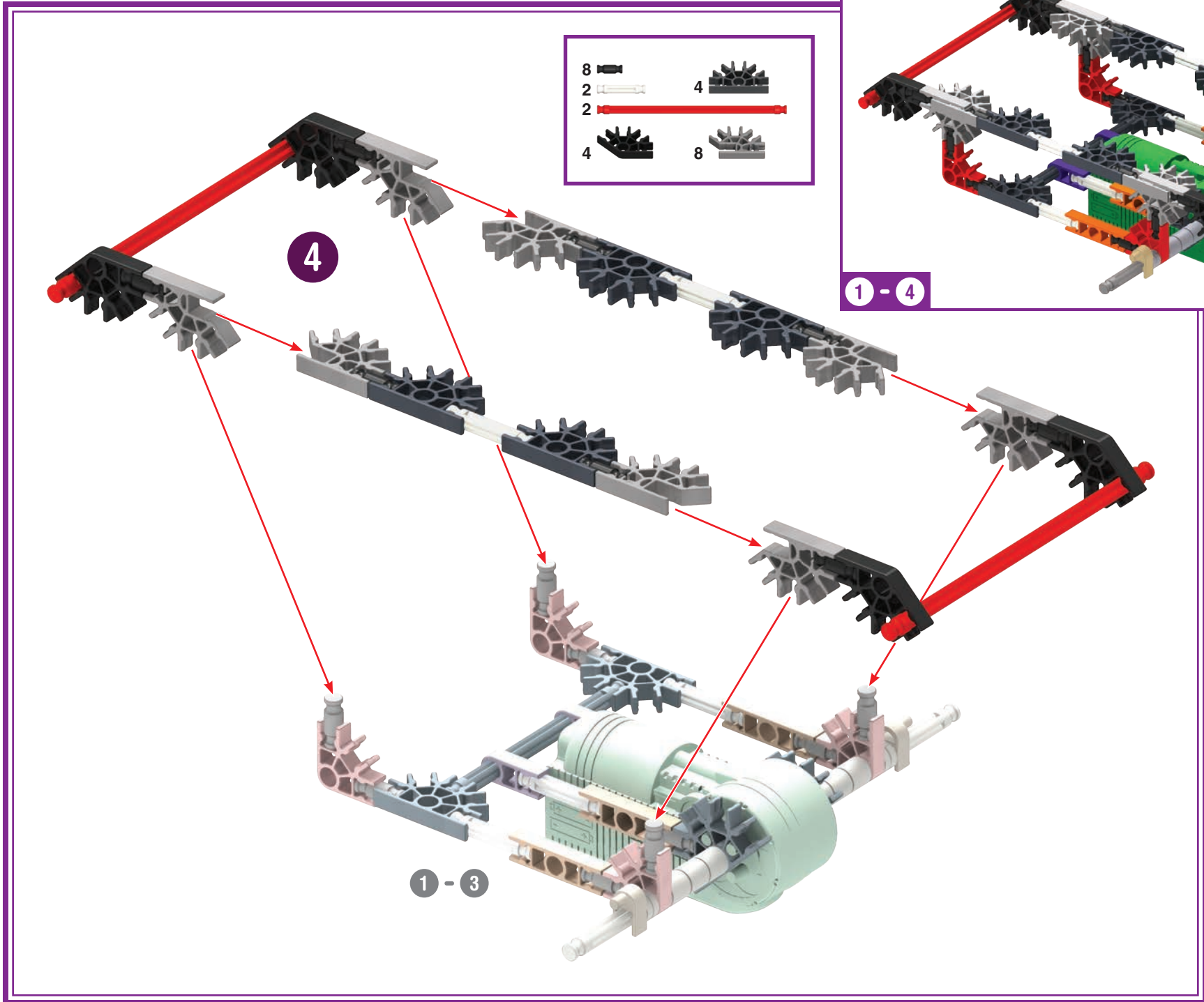
2		2		2	
2					
1					
1					
		2			

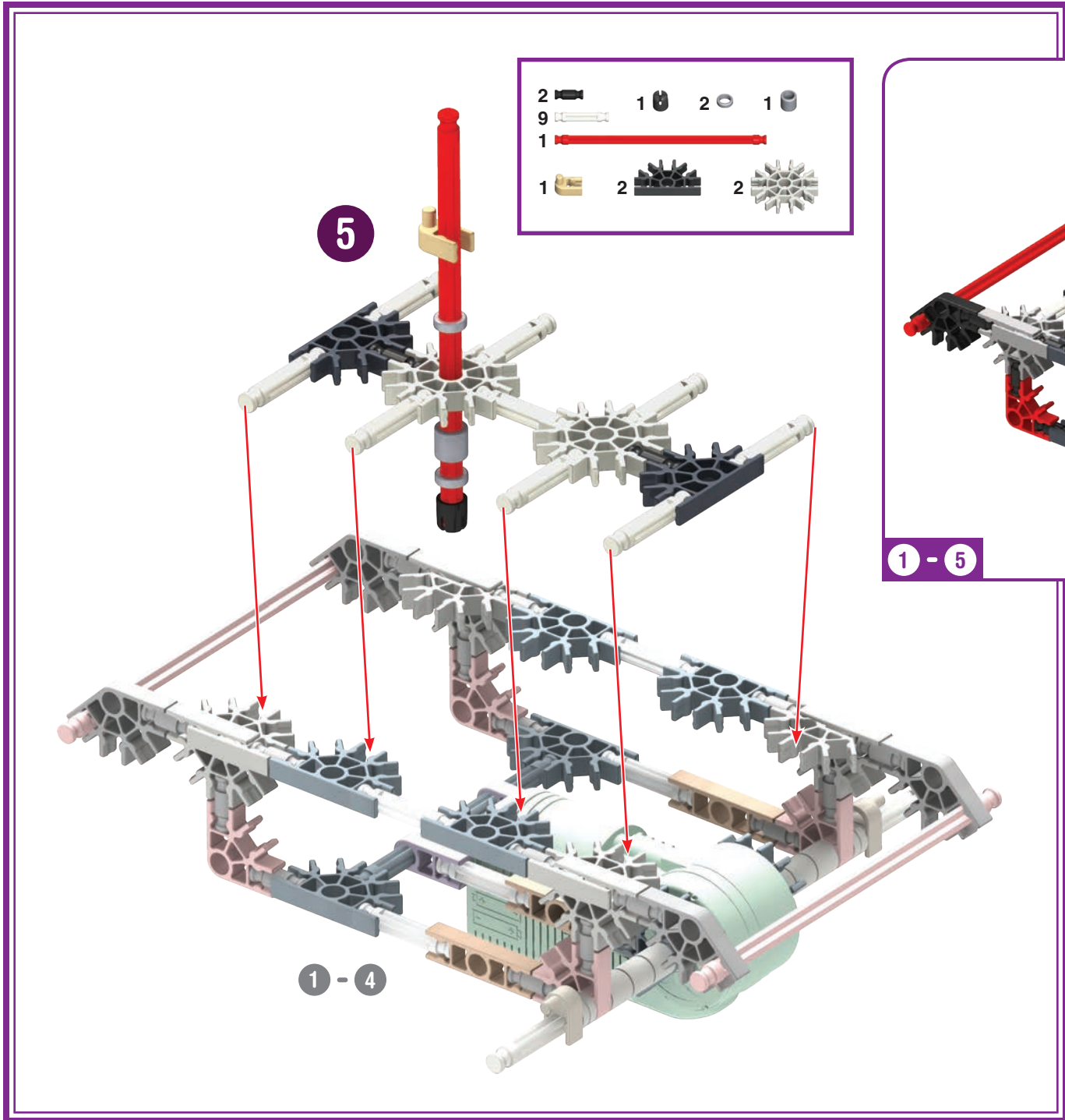
2

3

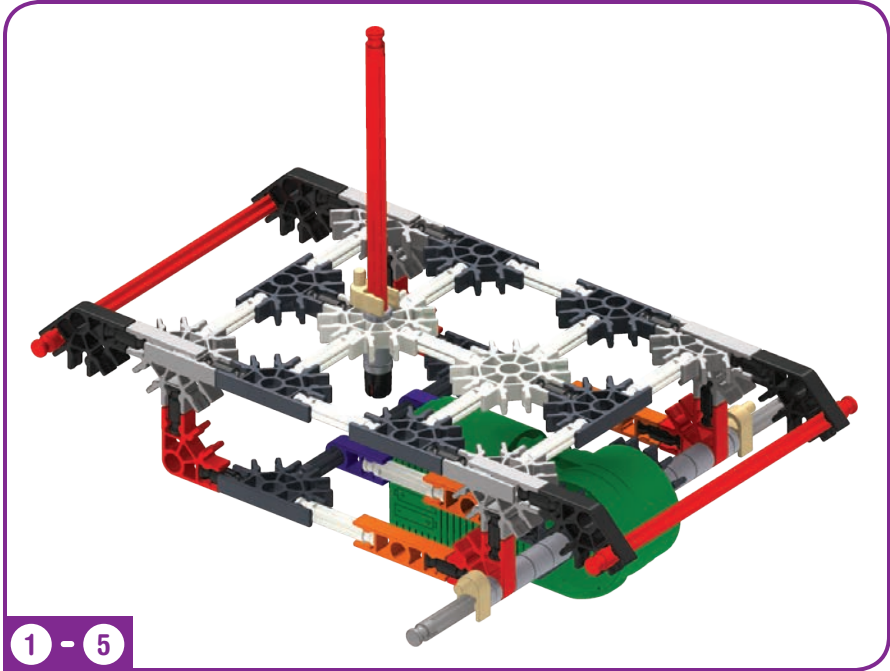
8		4		6	
2					
1					
2		2			
4		2			

1 - 3

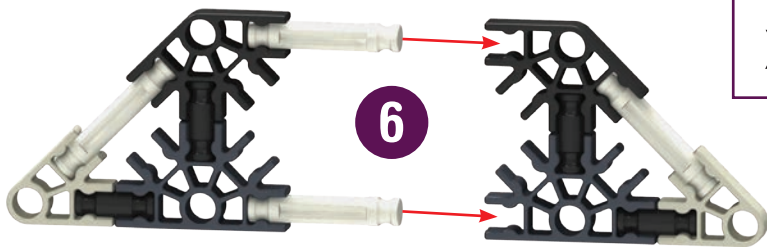




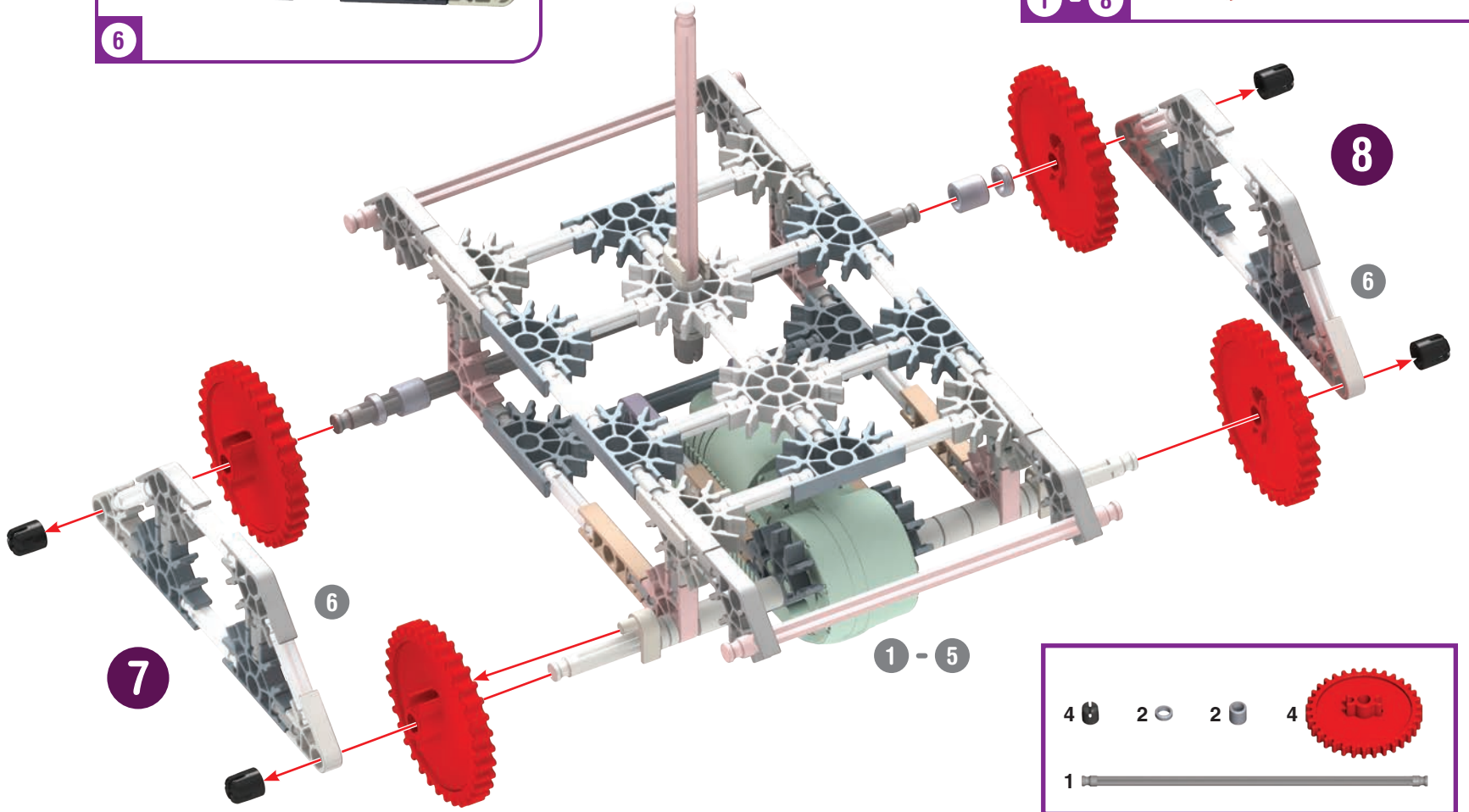
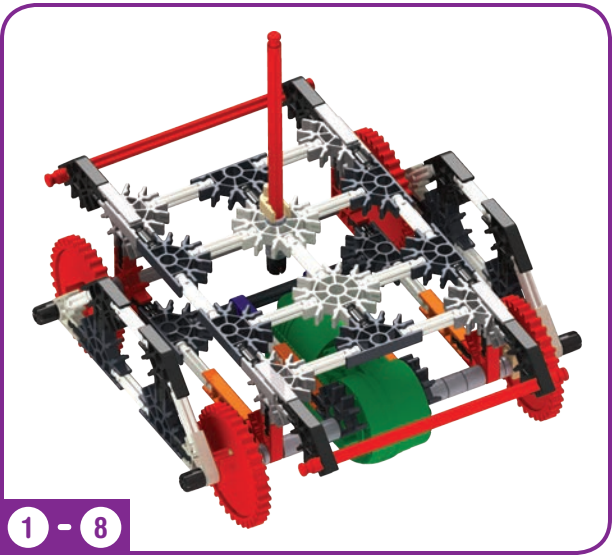
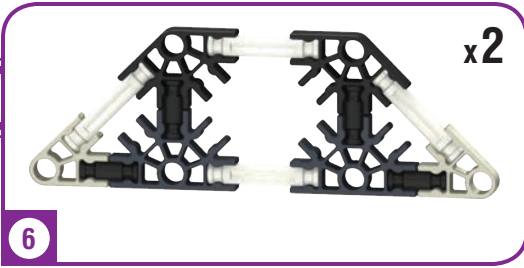
- | | | | | | | | |
|---|--|---|--|---|--|---|--|
| 2 | | 1 | | 2 | | 1 | |
| 9 | | | | | | | |
| 1 | | | | | | | |
| 1 | | 2 | | 2 | | | |



- 8
- 8
- 4
- 4

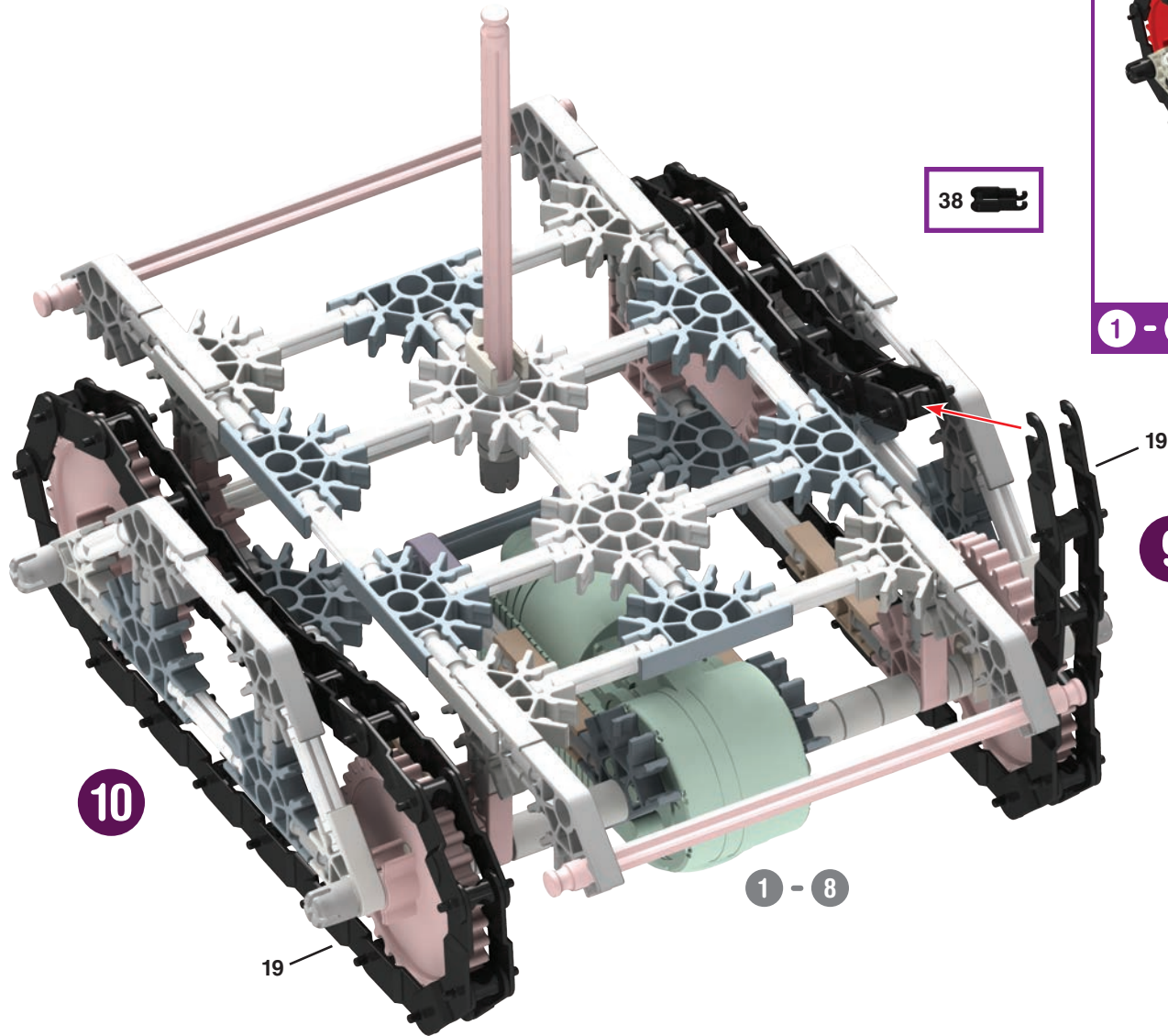


x2



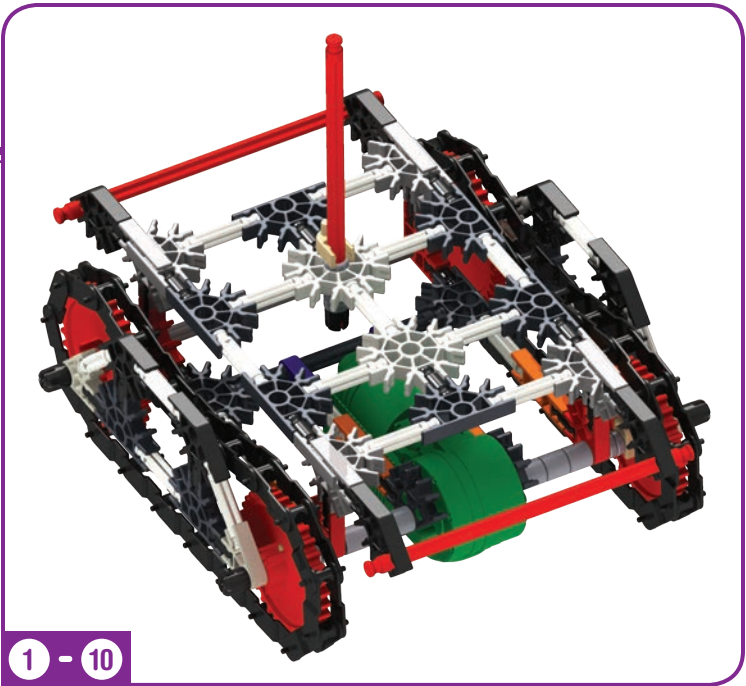
- 4
- 2
- 2
- 4
- 1

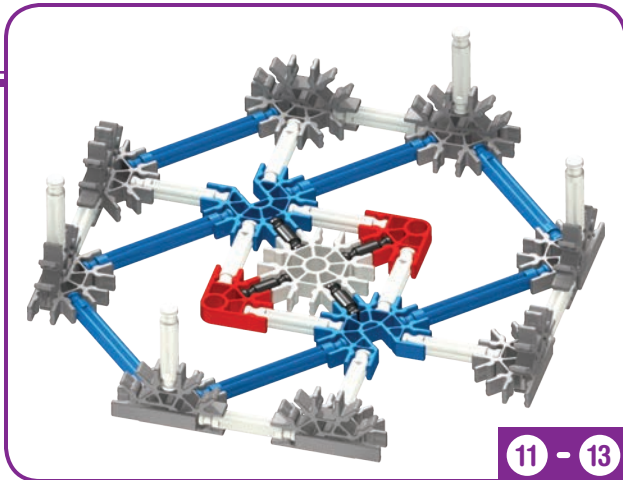
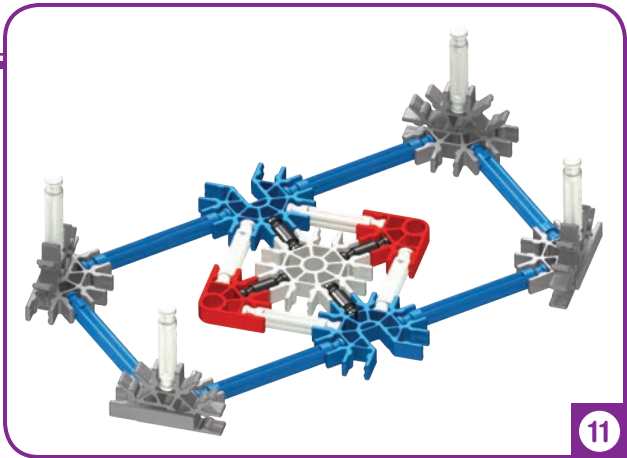
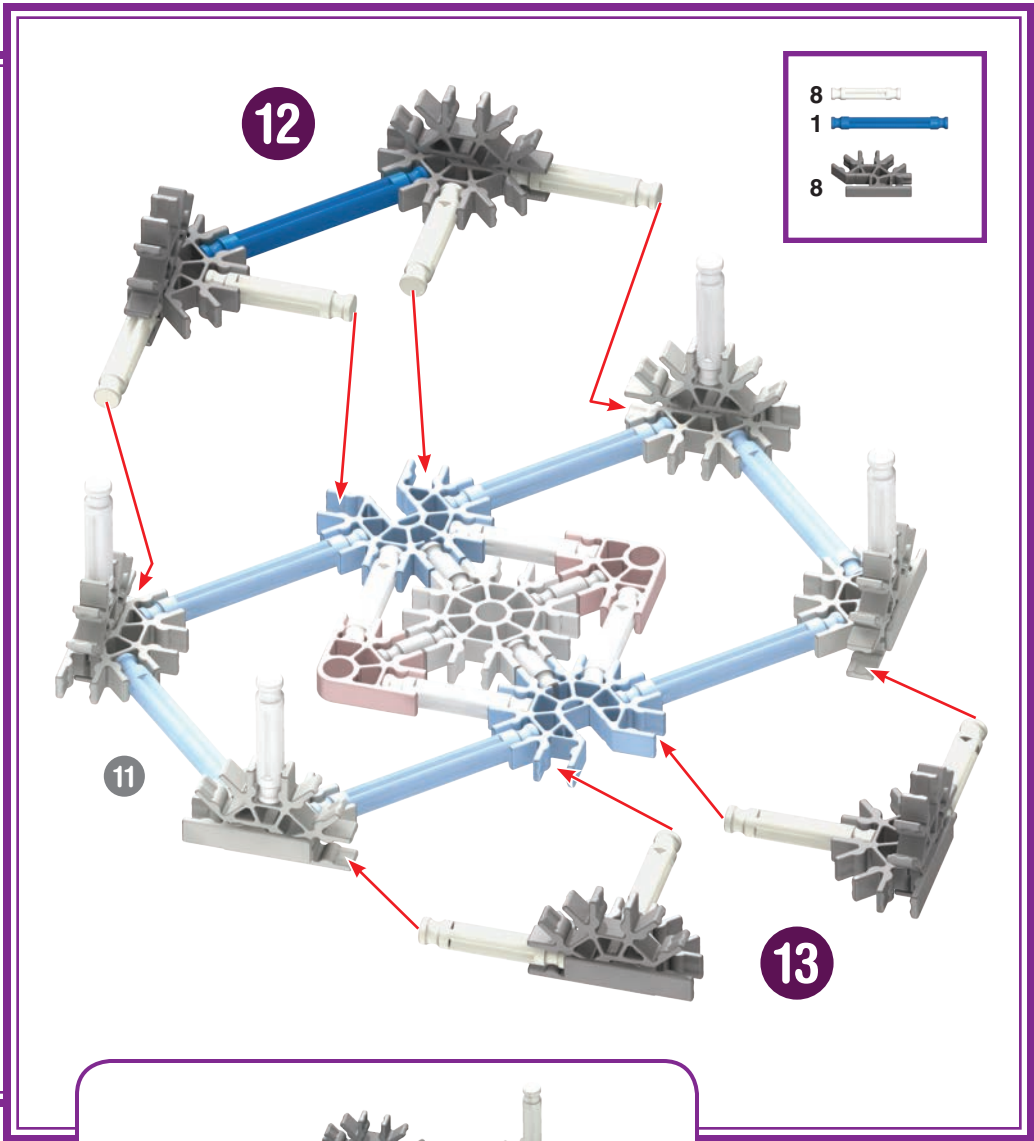
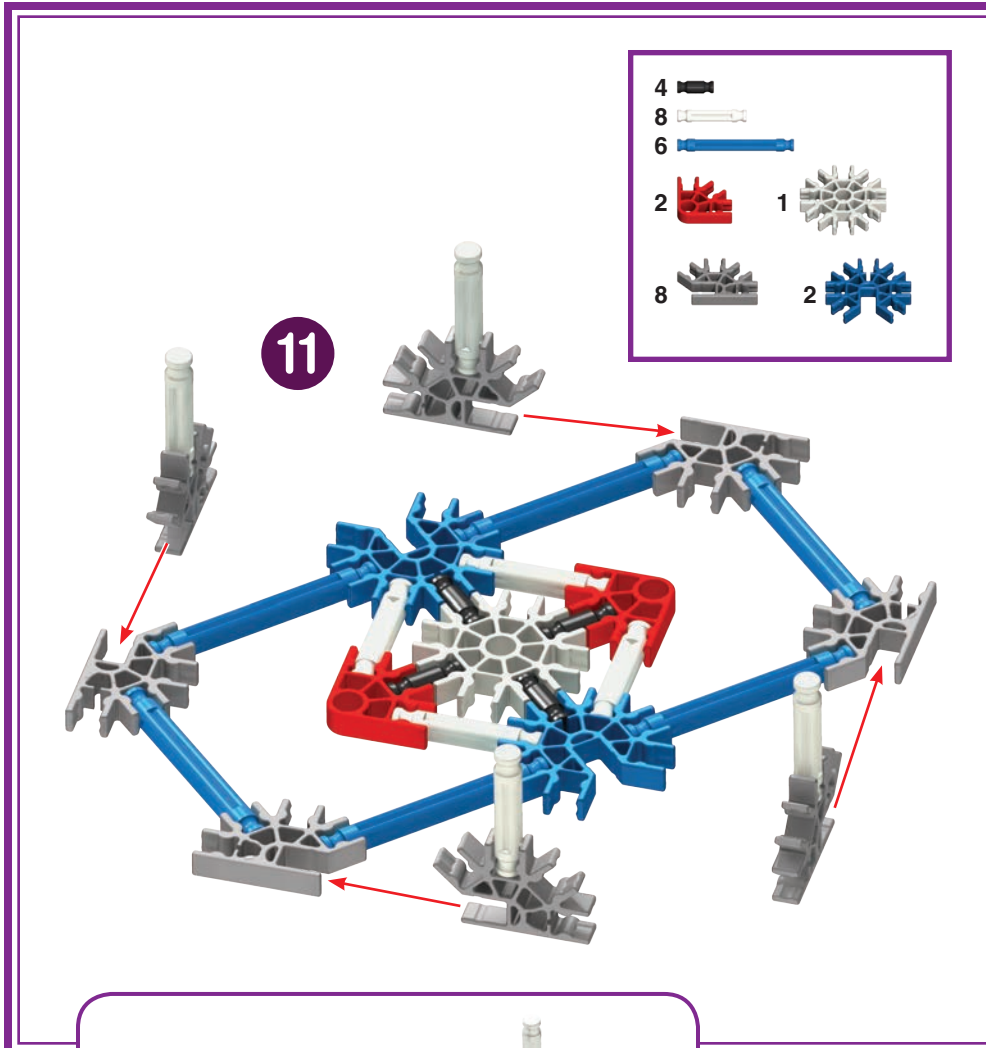
IMPORTANT: Attach all the chain links in the same direction.

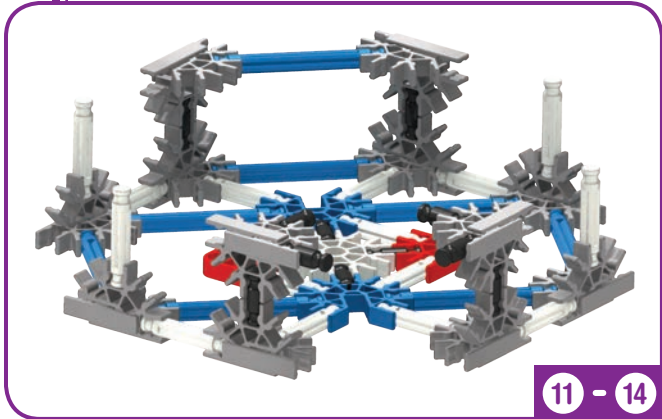
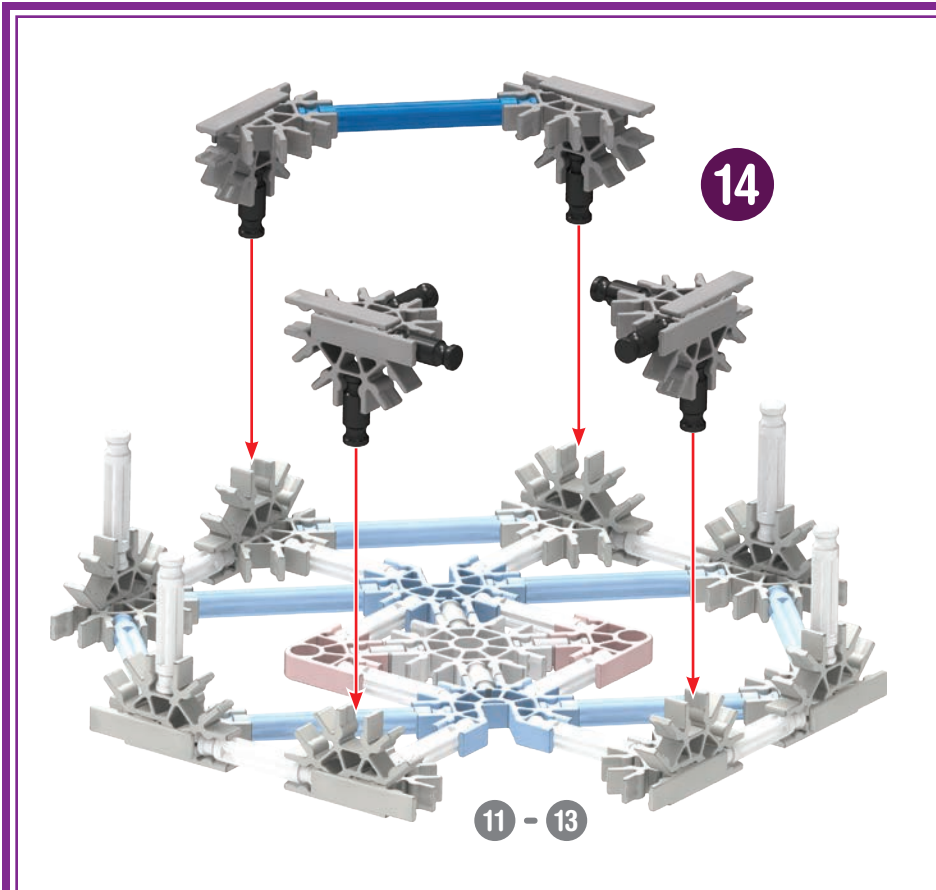


1 - 10

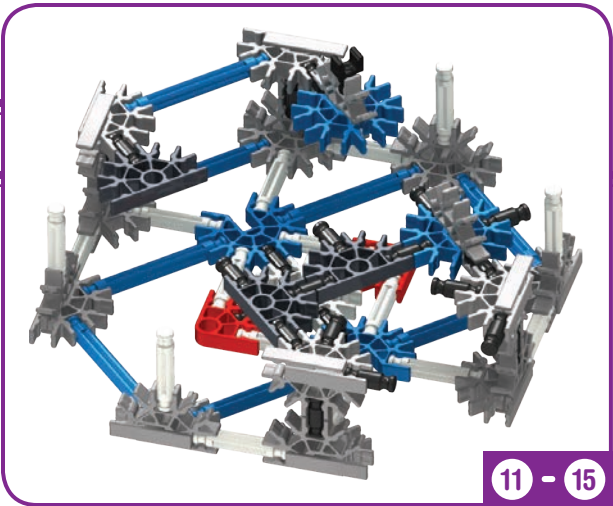
9



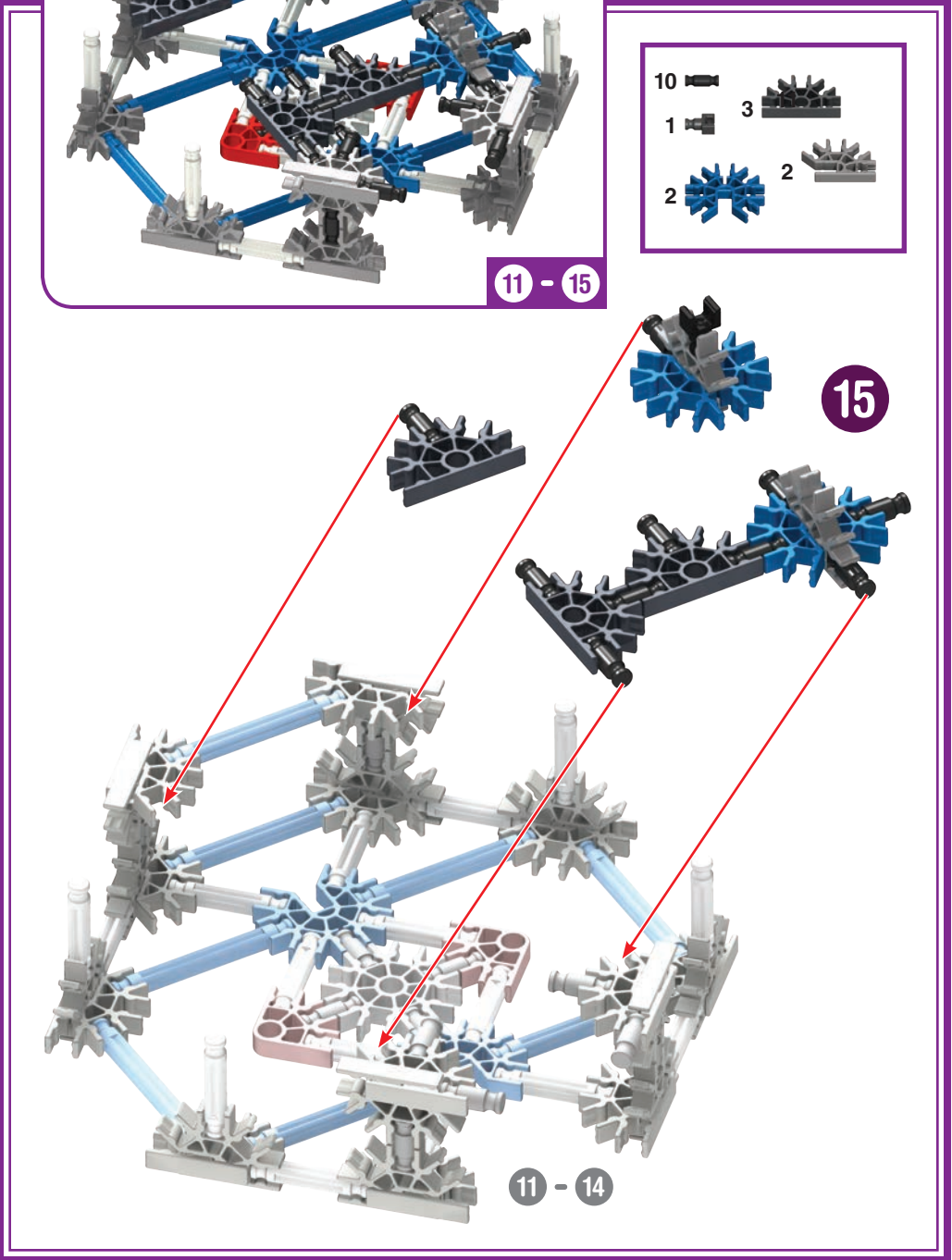


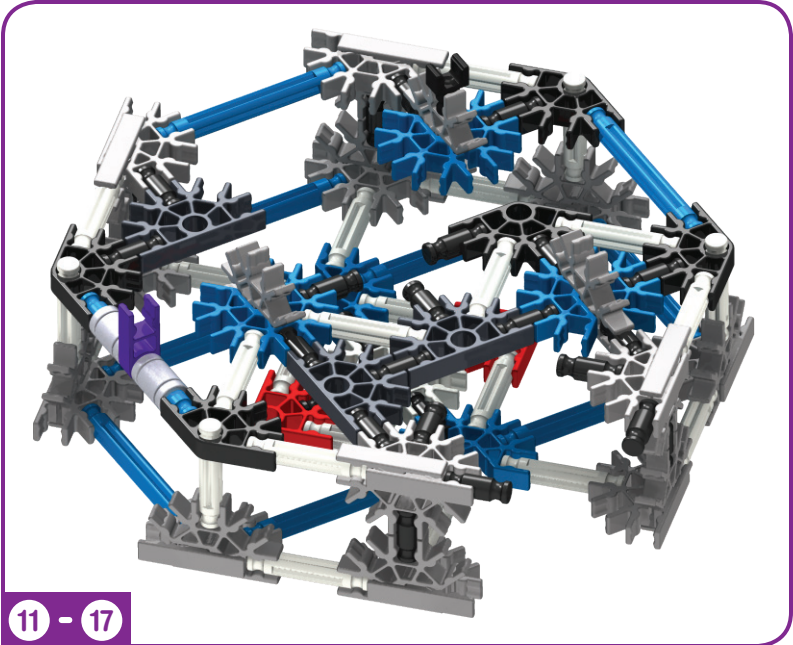
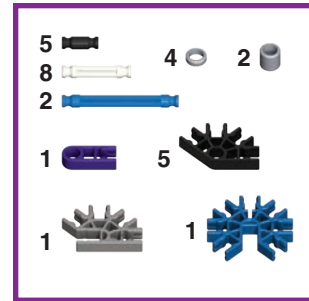
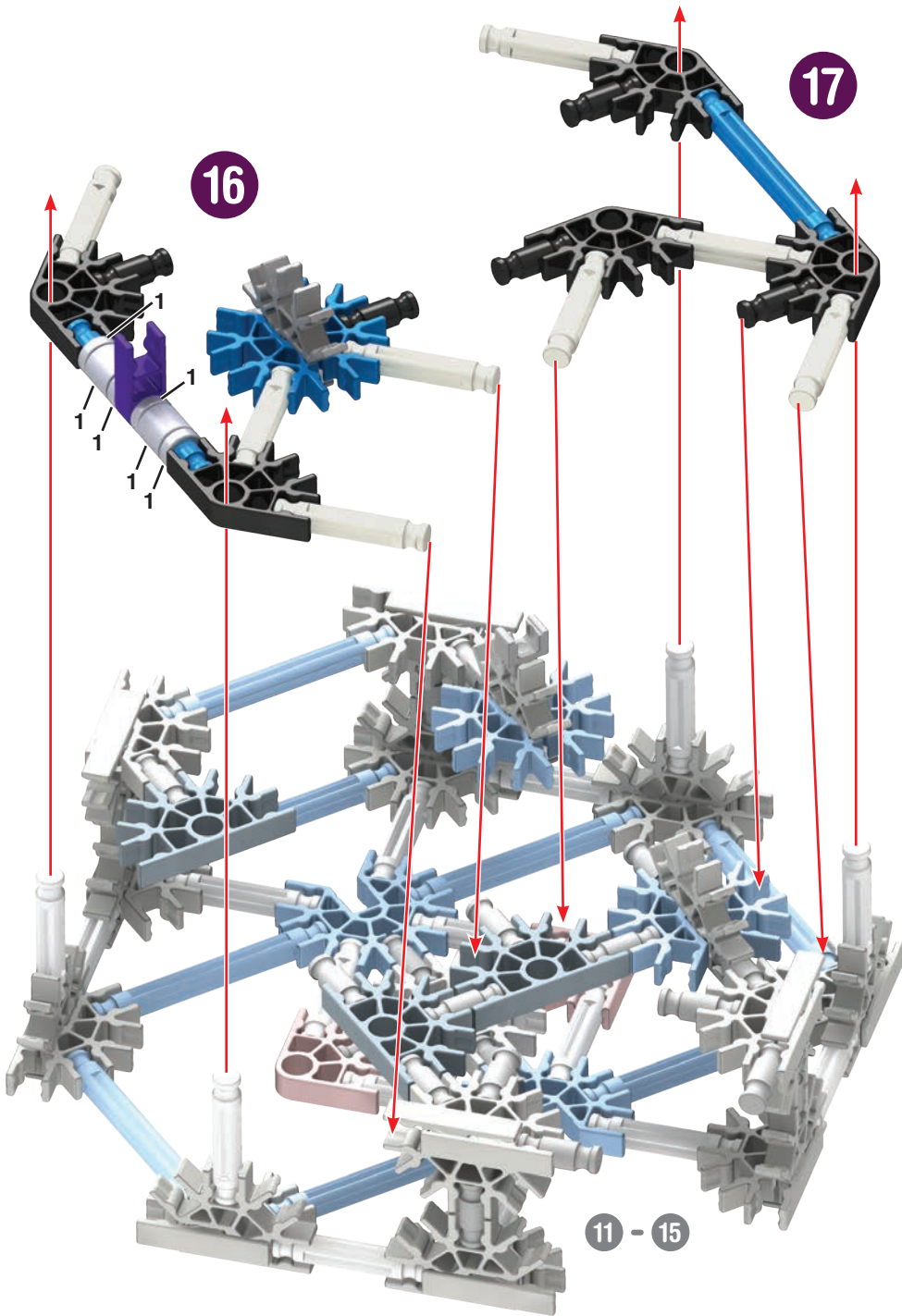


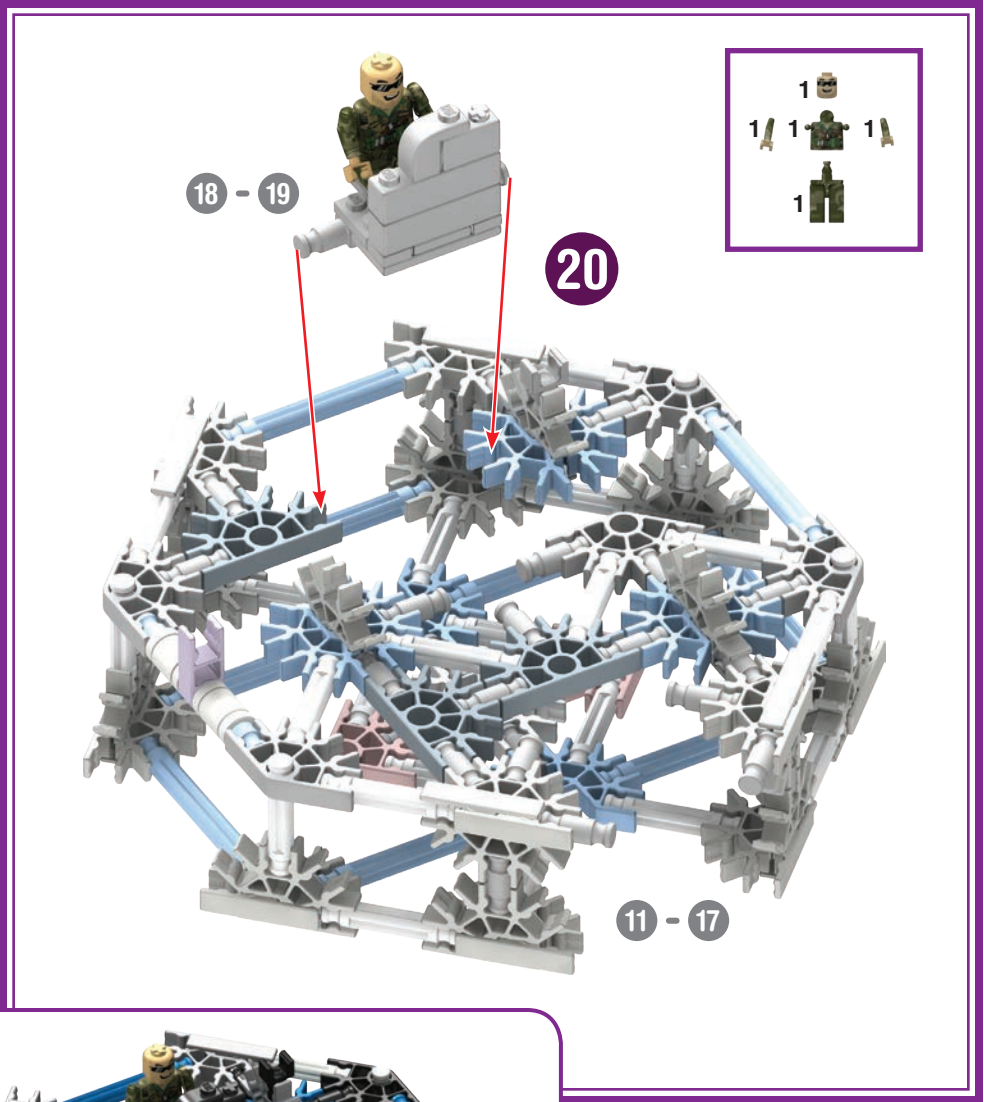
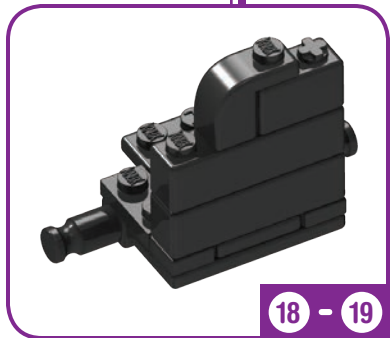
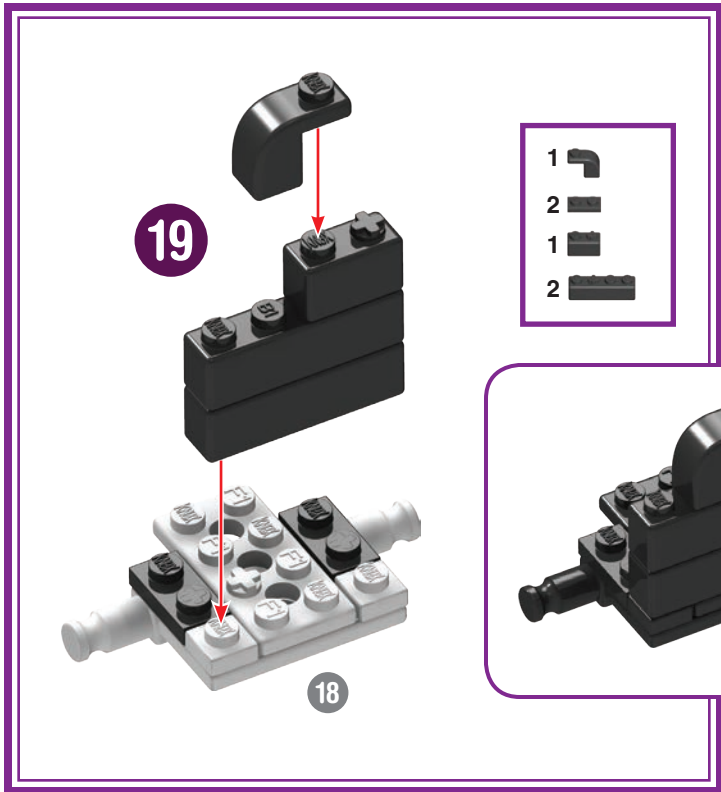
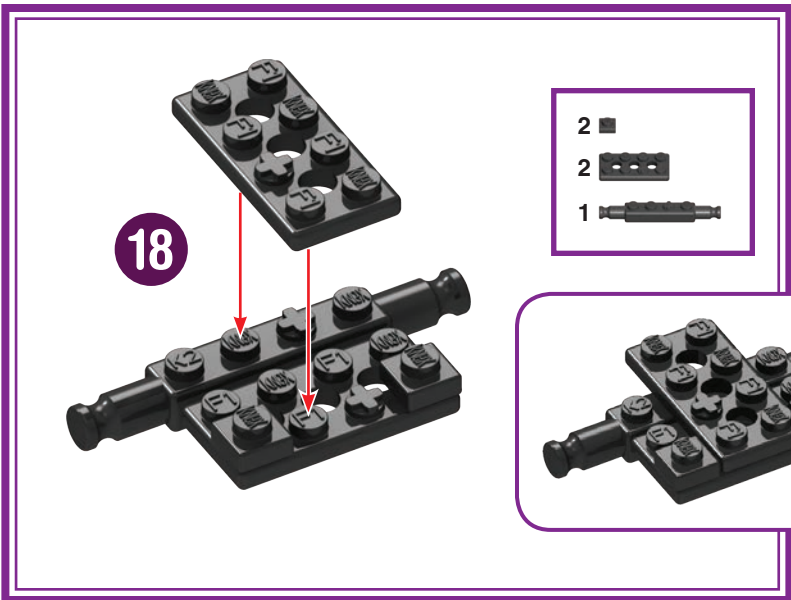
- 8
- 1
- 8

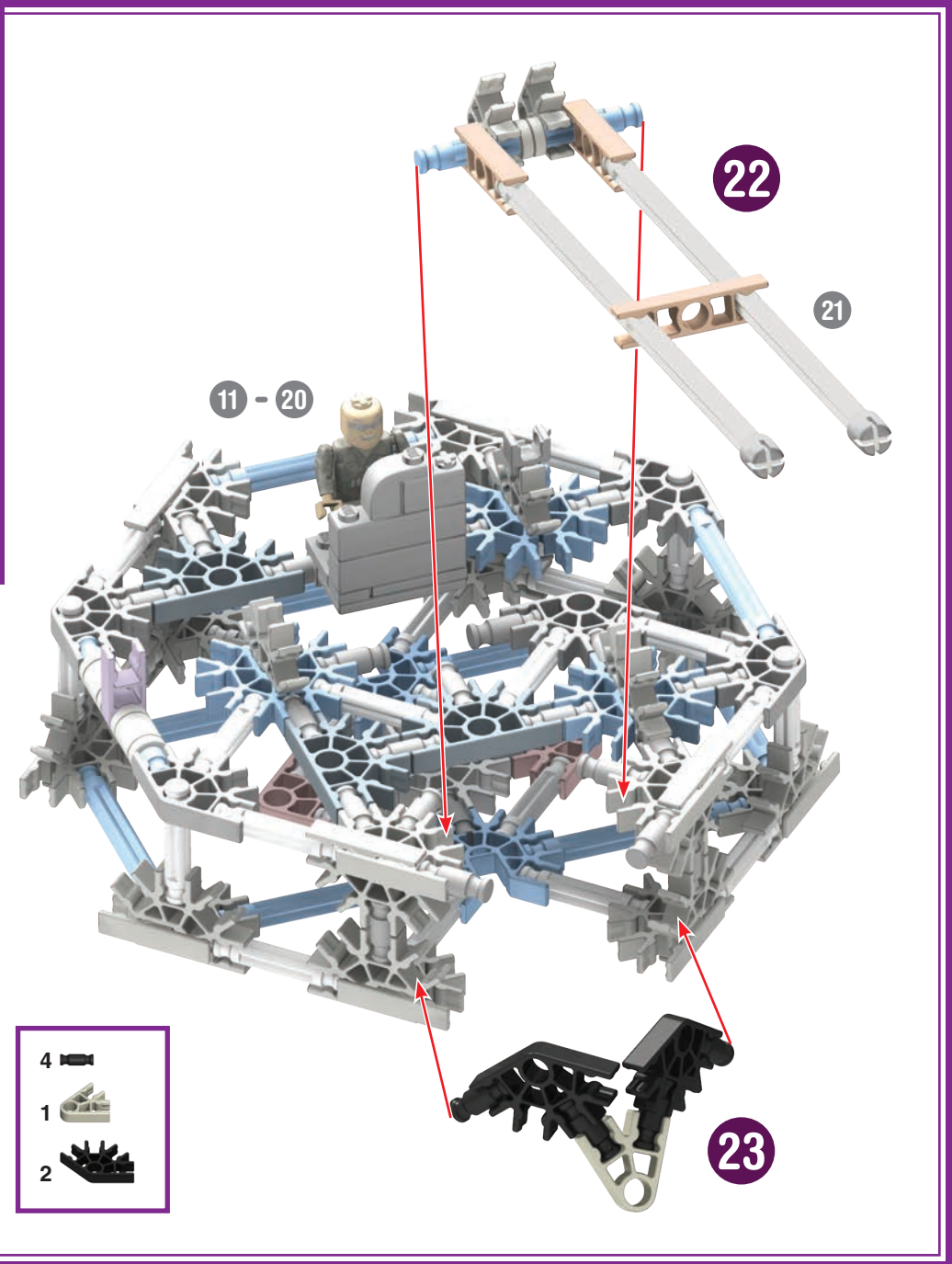
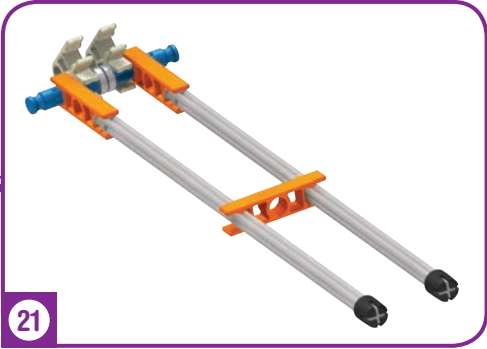
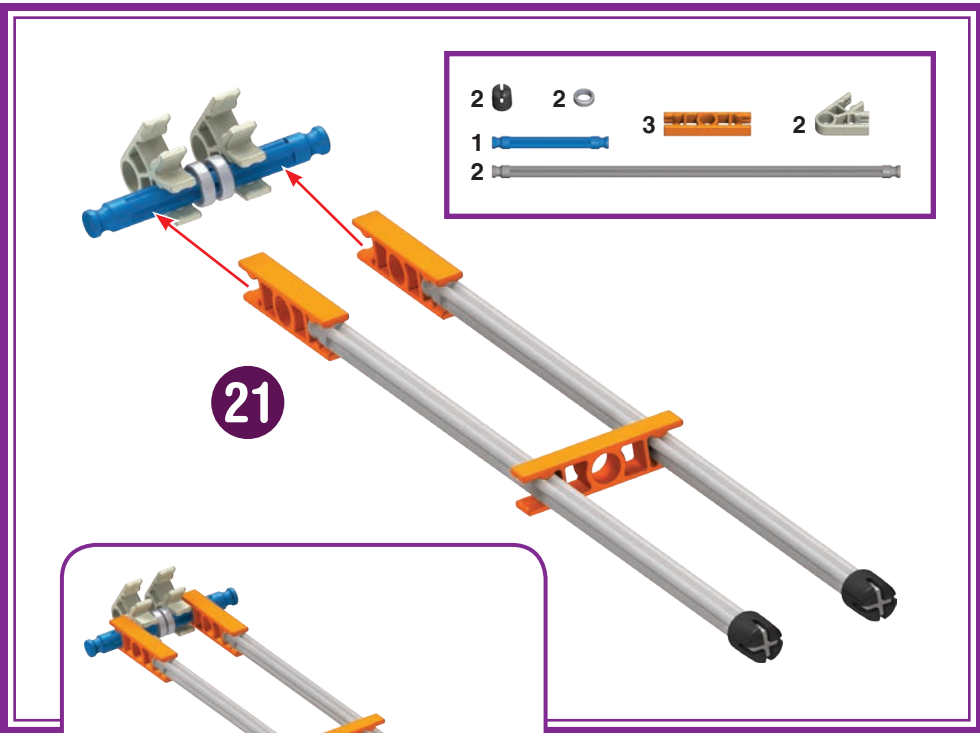


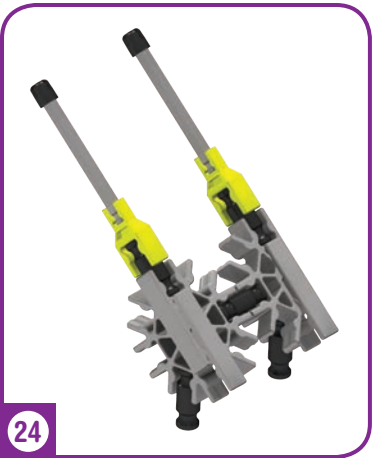
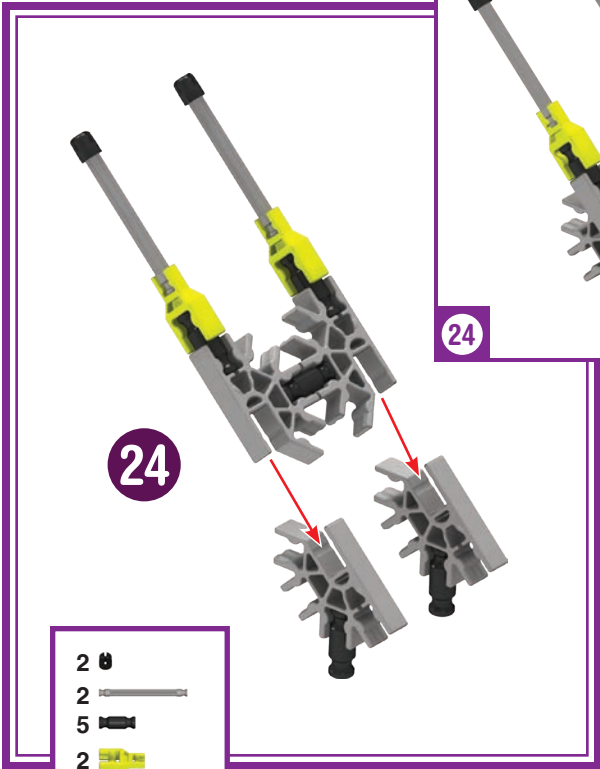
- 10
- 1
- 2
- 3
- 2



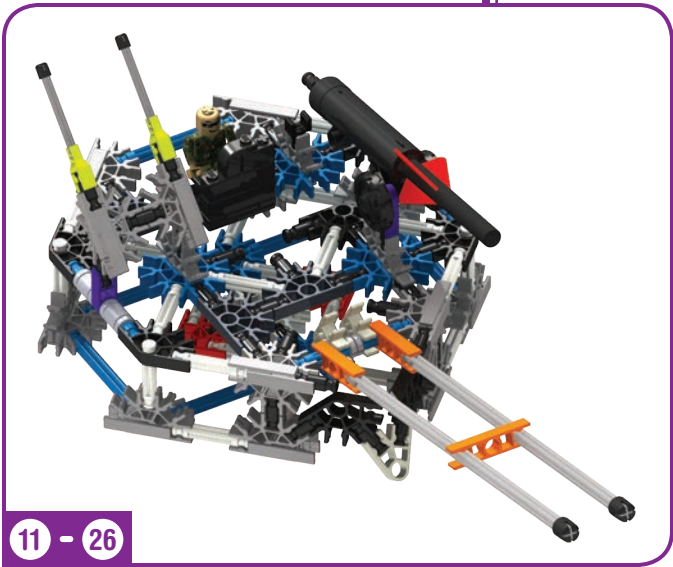
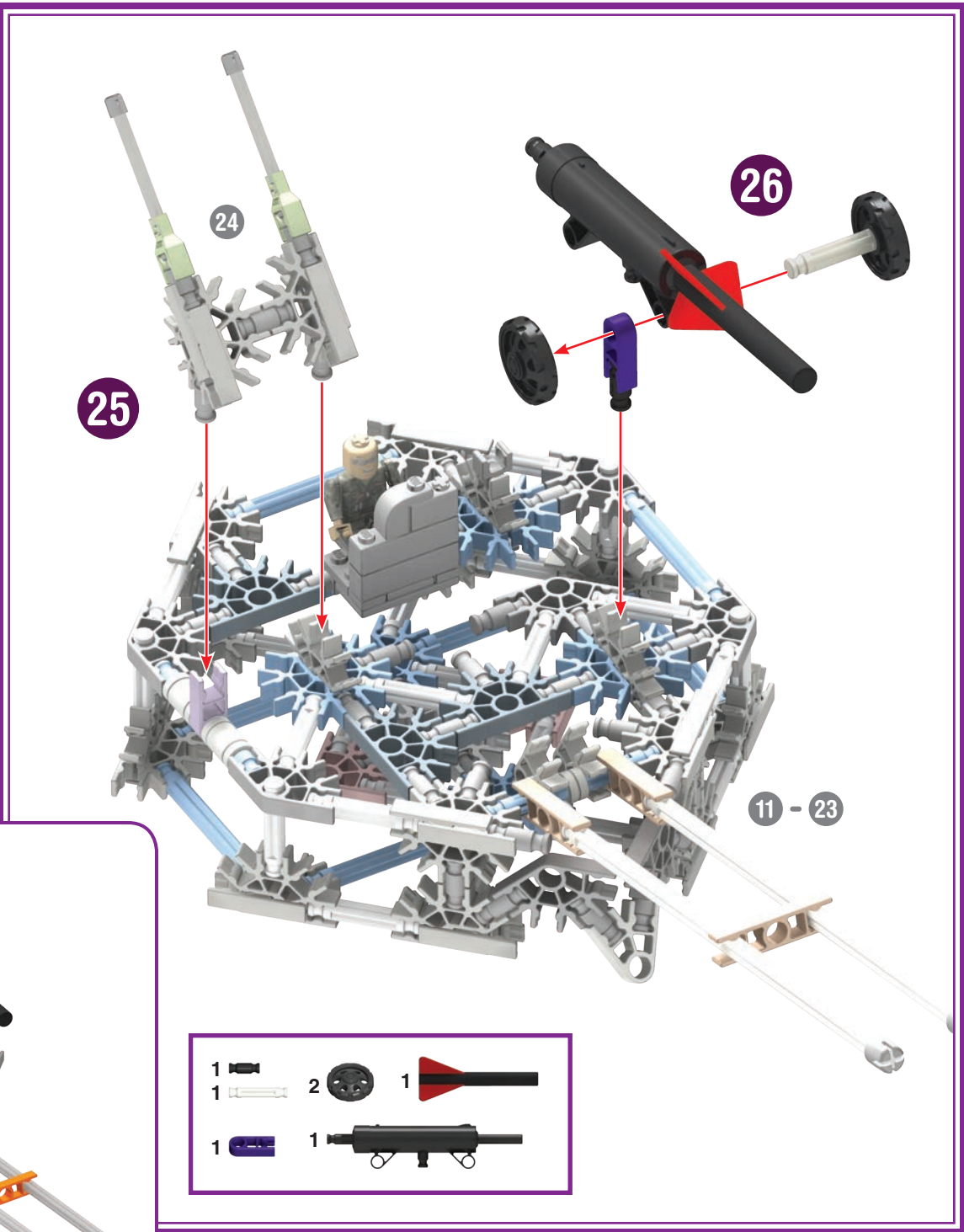








- 2
- 2
- 5
- 2
- 4



- 1
- 1
- 1
- 2
- 1
- 1

27

- 3
- 6
- 1
- 1

11 - 26

1 - 10

