

# KNEX®

Imagine • Build • Play™



# 25 MODEL BUILDING SET LAUNCHER™



 **WARNING:**

CHOKING HAZARD - Small parts.  
Not for children under 3 years.

 **AVERTISSEMENT:**

DANGER D'ÉTOUFFEMENT - Pièces de petite taille.  
Ne pas donner aux enfants de moins de 3ans.

**6+**

12316/77510



# Welcome!

## The fun is about to begin!

I designed the K'NEX building system for kids like you – kids who want to build in a whole new way. Using our snap-together Rods and Connectors you can build the models we've designed or you can use your imagination and build cool models of your own! That's what K'NEX is all about – getting an idea and making it happen. Just like I did when I invented K'NEX!

*Joel Glickman*  
Inventor of K'NEX

**CAUTION:** Keep hair, fingers, face, and clothing away from all moving parts.

**CAUTION:** Rubber Bands can cause injury from snap-back, breaking, or loss of control. While assembling model shown in instructions, hold Rubber Band tightly, and do not overstretch. Use Rubber Band only as shown in these instructions. **DO NOT USE FRAYED OR TORN RUBBER BANDS.**

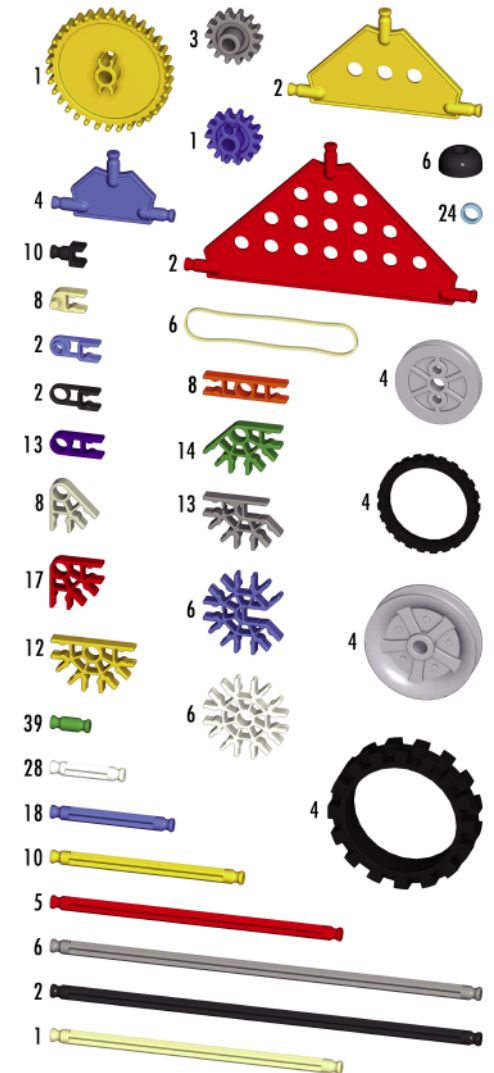
**NOTE:** For full instructions of these models visit our website at [www.knex.com/casesets](http://www.knex.com/casesets) and enter code number 12316.

## Building Ideas

Guitar . . . . .	3
Sailboat . . . . .	3
Helicopter . . . . .	4
Motorcycle . . . . .	4
Backhoe . . . . .	4
Flapping Bird . . . . .	5
Jet Plane . . . . .	5
Dragster . . . . .	5
Low Rider . . . . .	5
Windmill . . . . .	6
Round & Round Ride . . . . .	6
Castle . . . . .	7
Swing Ride . . . . .	7
Picture Frame . . . . .	7
Fish . . . . .	8
Swing Set . . . . .	8
Space Shuttle . . . . .	8
Off-Road Racer . . . . .	8
Catamaran . . . . .	9
Dirt Racer . . . . .	9
3 Wheel Motorcycle . . . . .	9
Road Grader . . . . .	10
Super Car . . . . .	10
Cement Mixer . . . . .	11
Dump Truck . . . . .	11

## Parts Checklist

Note that some parts vary in color from the instruction pictures. Compare the parts in your set with the parts listed here. If any parts are missing, look at the back cover of this instructions booklet to contact us.



**FR** ATTENTION : Les élastiques peuvent claquer, se casser, ou passer hors de ton contrôle, et de ce fait blesser. Lorsque tu assembleras les modèles indiqués dans les instructions, tiens bien l'élastique, et ne tire pas trop dessus. N'utilise des élastiques que comme l'indiquent ces instructions. N'UTILISE PAS D'ÉLASTIQUES QUI S'EFFILOCHENT OU QUI SONT DÉCHIRÉS. Tiens les élastiques à l'écart du visage et des yeux.

**ES** PRECAUCIÓN: Las gomas elásticas pueden causar heridas si se estiran y luego se sueltan bruscamente, si se quiebran o se usan sin control. Cuando armes los modelos que se ven en las instrucciones, sujeta fuertemente la goma elástica, y no la estires demasiado. Usa las gomas elásticas solamente como se muestra en estas instrucciones. NO SE DEBEN USAR GOMAS ELÁSTICAS QUE SE VEN DESGASTADAS O ROTAS. Las gomas elásticas no deben usarse cerca de la cara o los ojos.

**DE** VORSICHT: Gummibänder können Verletzungen verursachen. Sie können zurückschnellen, brechen oder außer Kontrolle geraten. Während des Zusammenbaus der Modelle anhand der Abbildungen sollte das Gummiband immer festgehalten, aber nicht überdehnt werden. Behandle die Gummibänder immer so wie in dieser Anleitung gezeigt. KEINE AUSGEFRANSTE ODER GERISSENE GUMMIBÄNDER VERWENDEN.

**IT** ATTENZIONE: gli elastici possono causare lesioni quando si rompono o tornano indietro o se ne perde il controllo. Durante l'assemblaggio dei modelli illustrati nelle istruzioni, tenere gli elastici saldamente e non tirarli troppo. Usare gli elastici solo come illustrato nelle istruzioni. NON USARE ELASTICI CONSUMATI O LACERATI. Attenzione: tenere gli elastici lontani dal viso e dagli occhi.

**PT** CUIDADO: As bandas elásticas podem causar lesões quando se quebram ou ressaltam repentinamente ou quando se perde o controlo. Quando montares os modelos mostrados nestas instruções, segura na banda elástica firmemente, e não estiques demasiadamente. Usa as bandas elásticas apenas conforme mostrado nestas instruções. NÃO USES BANDAS ELÁSTICAS GASTAS OU COM RASGOS.

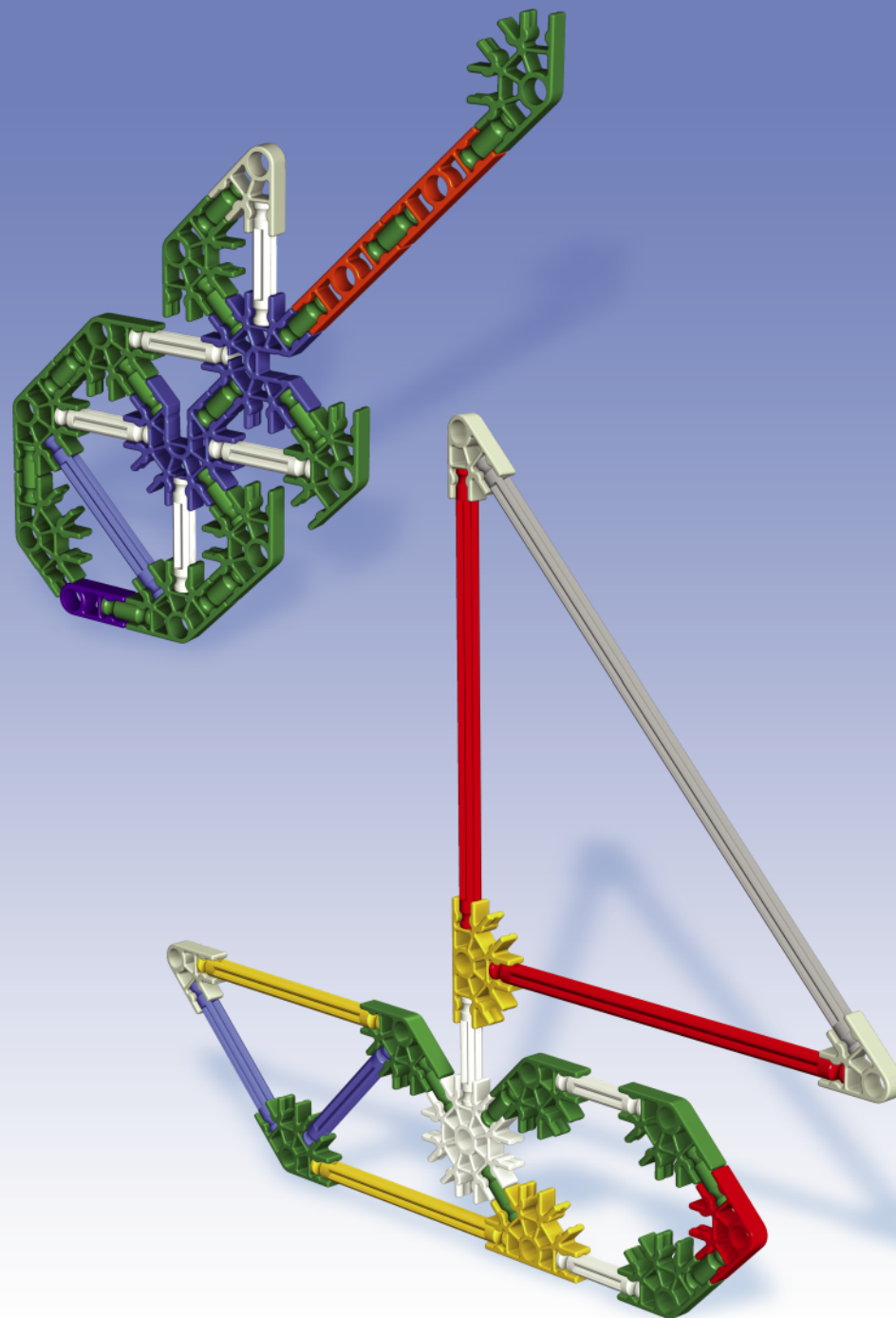
**NL** OPGEPAST: Elastiekjes kunnen pijn of blessures veroorzaken wanneer ze terugspringen of breken of wanneer ze niet goed beheerst worden. Wanneer de in de aanwijzingen afgebeelde modellen worden in mekaar gestoken, moet het elastiekje strak gehouden worden en niet overmatig uitgerekt worden. Gebruik elastiekjes uitsluitend zoals afgebeeld in deze aanwijzingen. GEBRUIK GEEN GERAFFELDE OF GESCHEURDE ELASTIEKJES. Hou elastiekjes verwijderd van het gezicht en de ogen.

**SV** FÖRSIKTIGHET! Gummiband kan orsaka skador när de studsar tillbaka, bryts eller om man förlorar kontrollen över dem. Vid montering av modellen som visas i anvisningarna ska man hålla ordentligt tag i gummibanden och inte töja dem för mycket. Använd gummibanden endast enligt anvisningarna. ANVÄND INTE SLITNA ELLER SKADADE GUMMIBAND.

**DA** FORSIGTIG: Elastikker kan forårsage kvæstelser, når de svipper tilbage, går i stykker, eller man mister kontrol over dem. Mens man samler modellen, som vises i brugsanvisningen, skal man holde elastikken stramt fast uden at strække den for meget. Anvend kun elastikker iflg. illustrationen i disse anvisninger. UNDLAD AT BRUGE ELASTIKKER, DER ER FLOSSEDE ELLER ITU.

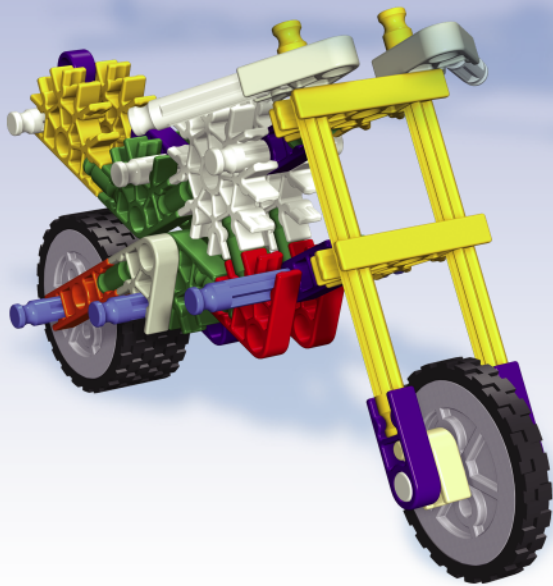
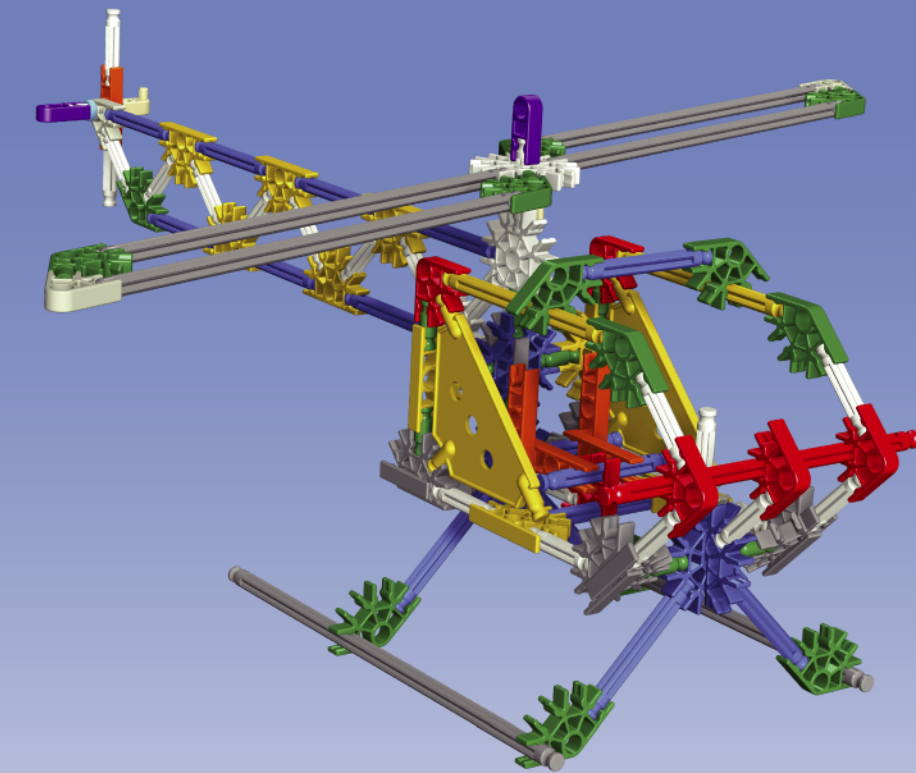
**NO** ADVARSEL: Strikk kan forårsake skade ved tilbakesmell, om den ryker eller kommer ut av kontroll. Hold strikken godt og pass på ikke å overstrekke den når du setter sammen modellen som vises i veiledningen. Bruk strikk bare som vist i denne veiledningen. BRUK IKKE TYNNSLITTE ELLER REVNE STRIKKER.

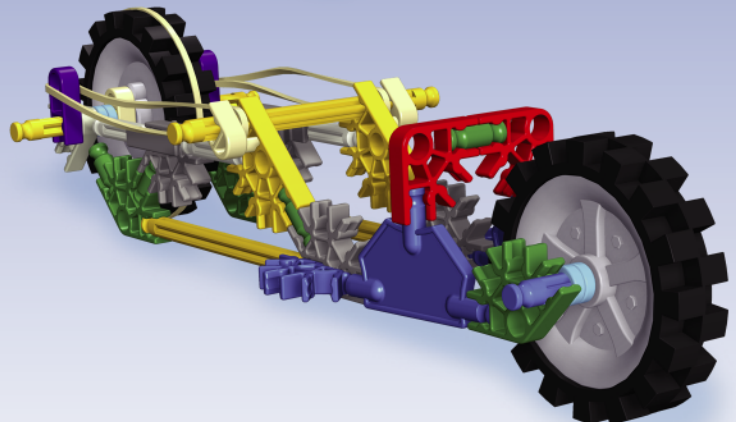
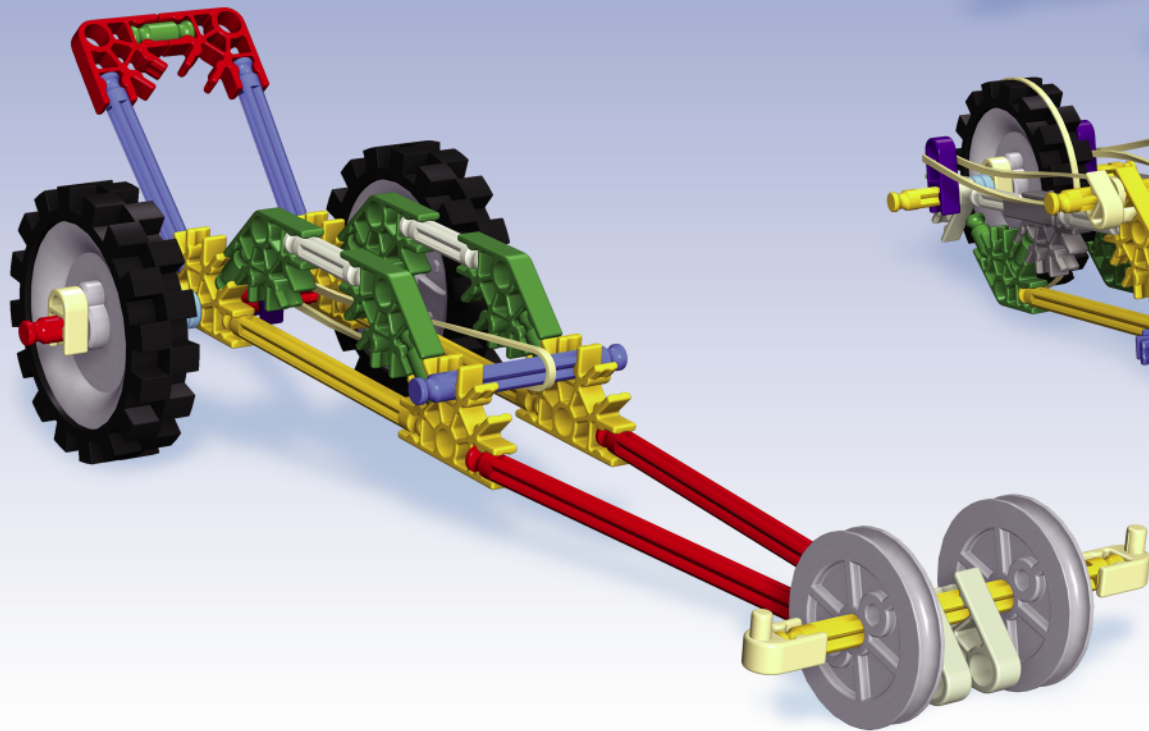
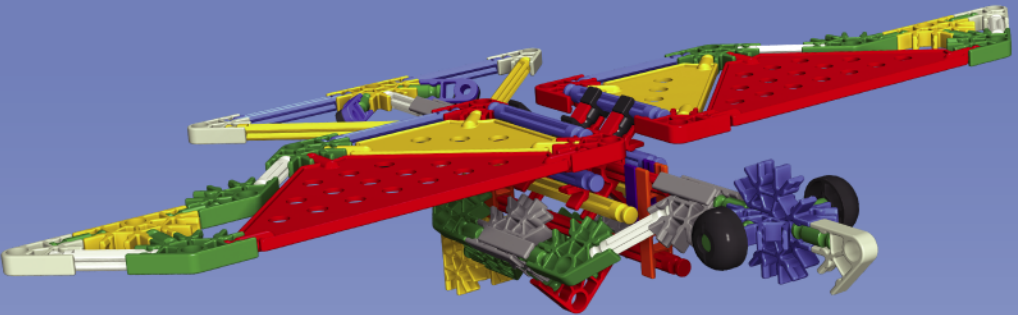
**FI** VARO! Kuminauhat voivat aiheuttaa vammoja mikäli ne pompahtavat takaisin, katkeavat tai jos niiden hallinta menetetään. Kootessasi ohjeissa näkyvää mallia, pidä kuminauhaa tukevasti äläkä taivuta sitä liikaa. Käytä kuminauhoja vain ohjeissa esitetyllä tavalla. ÄLÄ KÄYTTÄ KULUNEITA TAI VAUROITUNEITA KUMINAUHOJA.



Want instructions for these models?

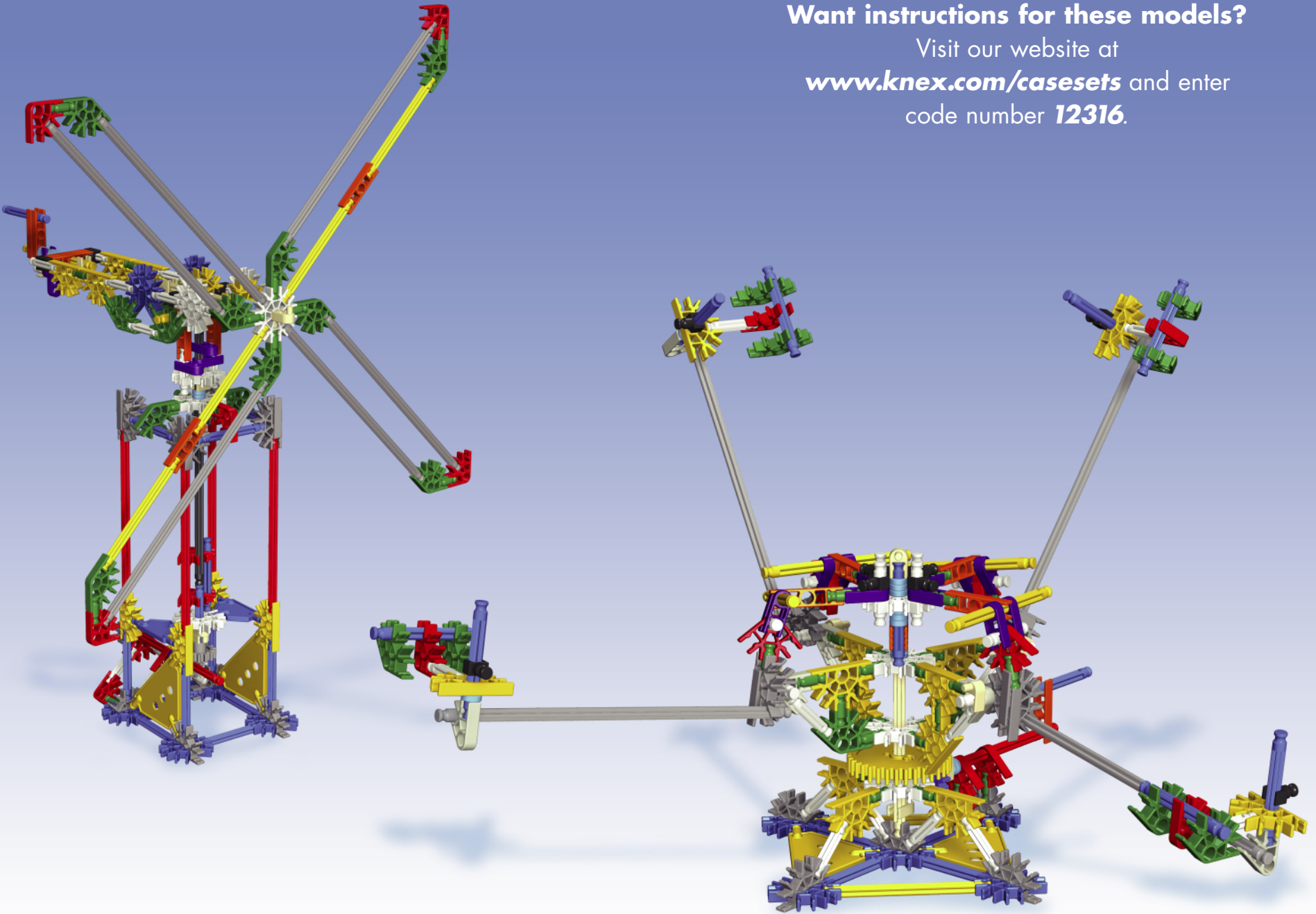
Visit our website at  
[www.knex.com/casesets](http://www.knex.com/casesets) and enter  
code number **12316**.

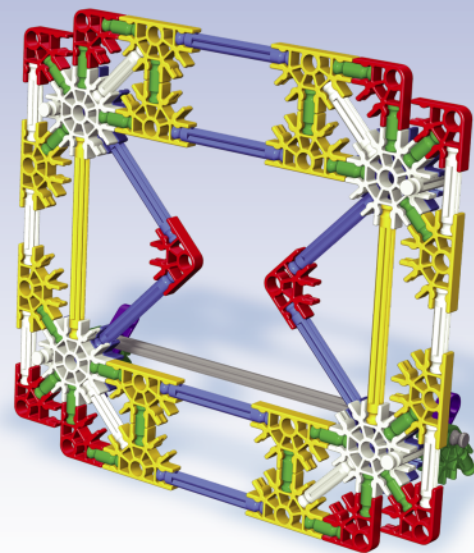
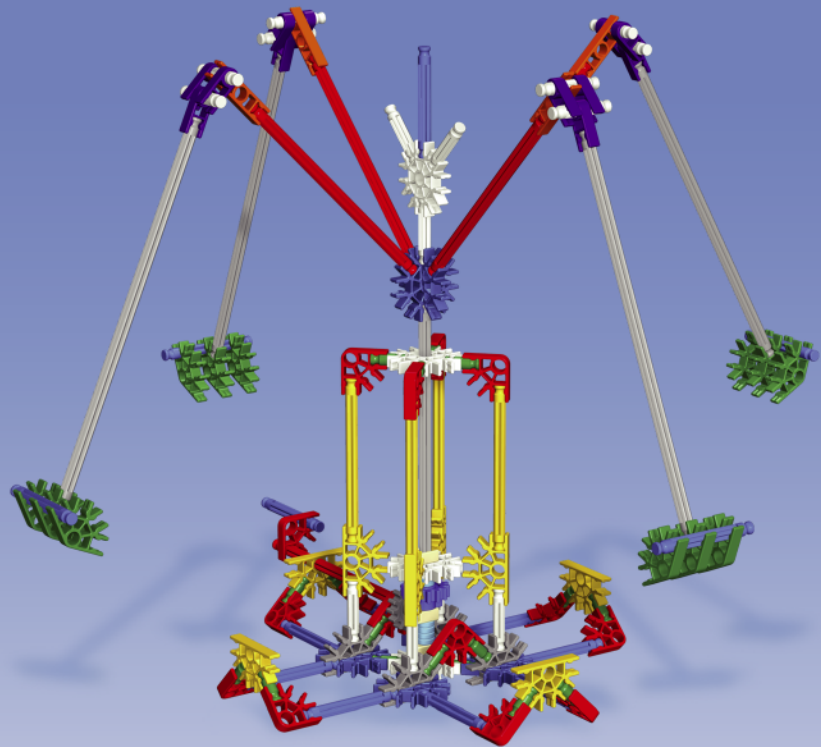
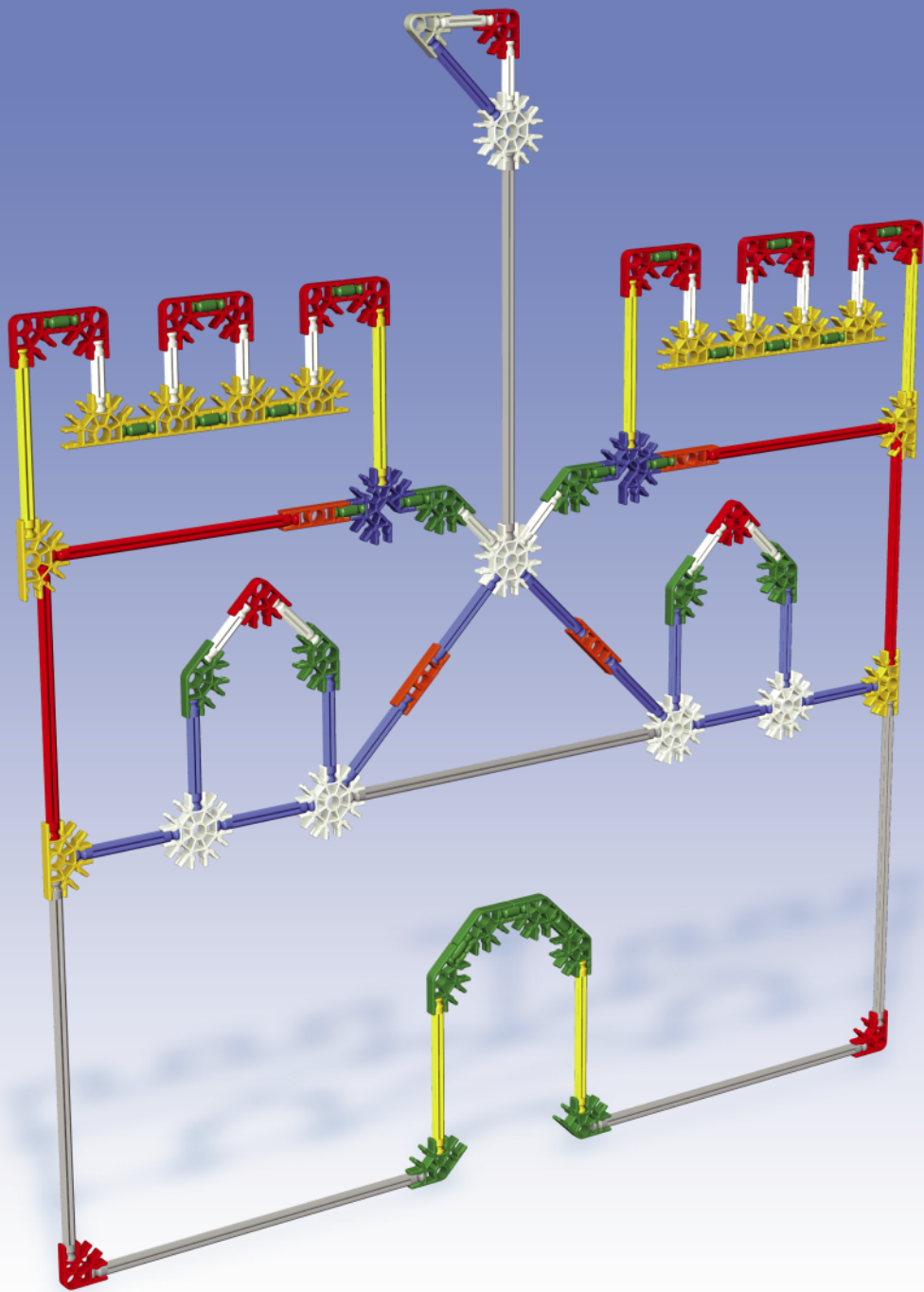


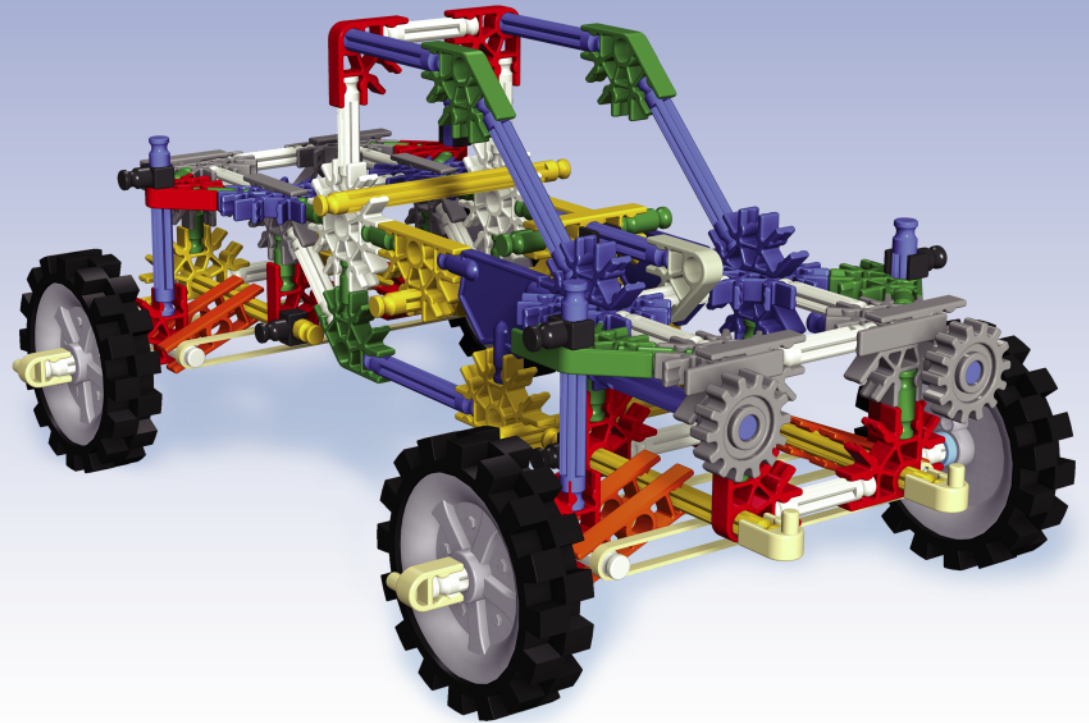
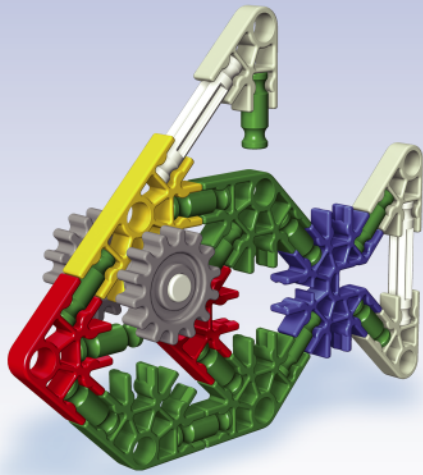
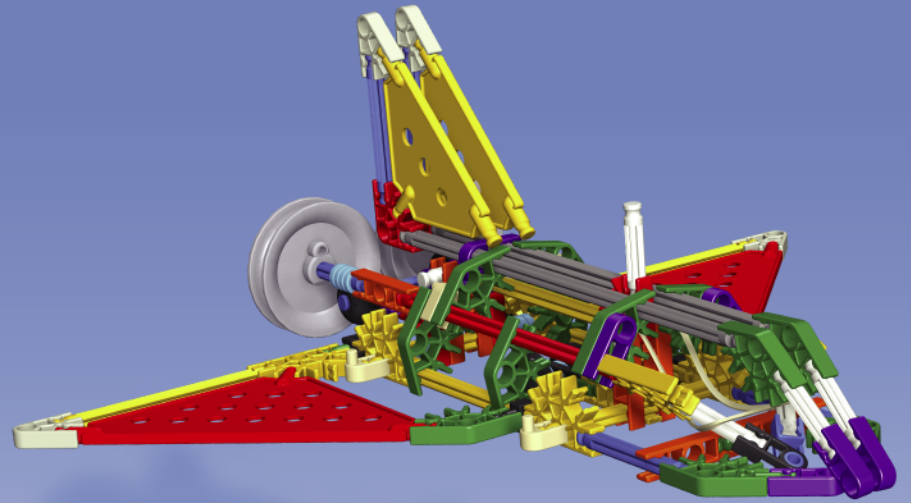
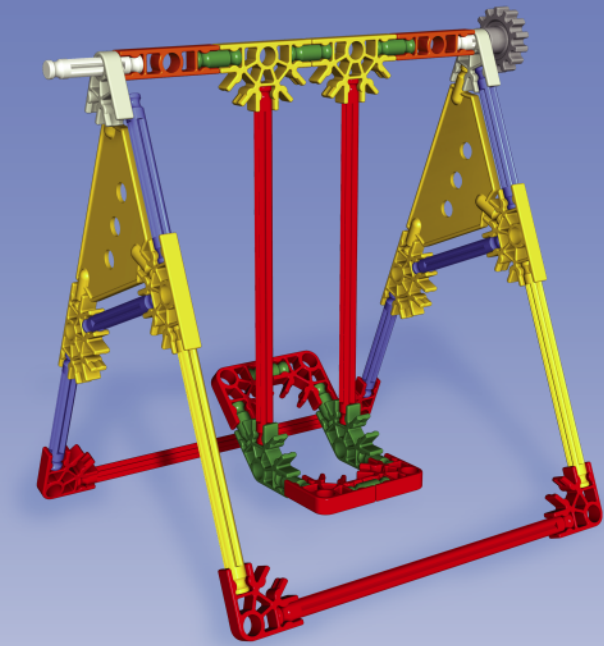


Want instructions for these models?

Visit our website at  
[www.knex.com/casesets](http://www.knex.com/casesets) and enter  
code number **12316**.







Want instructions for these models?

Visit our website at  
[www.knex.com/casesets](http://www.knex.com/casesets) and enter  
code number **12316**.

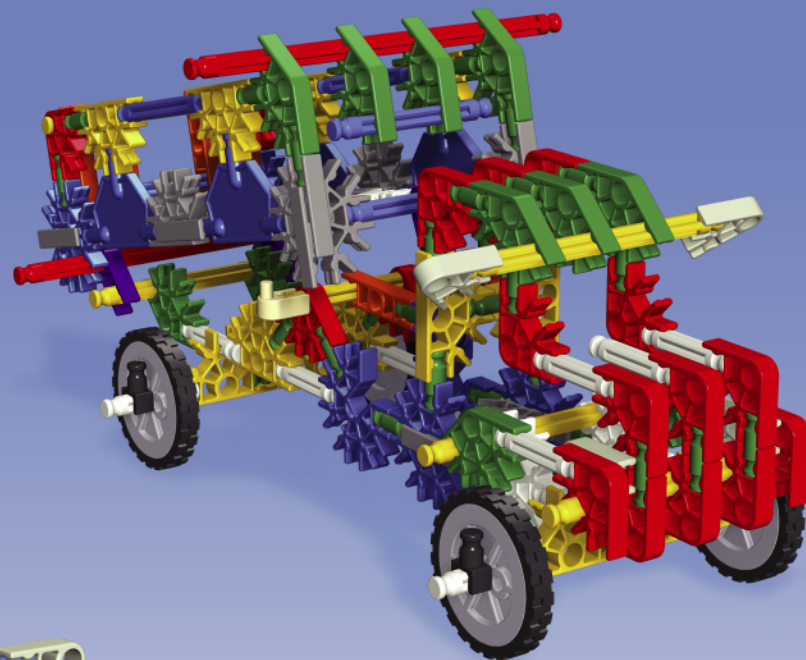
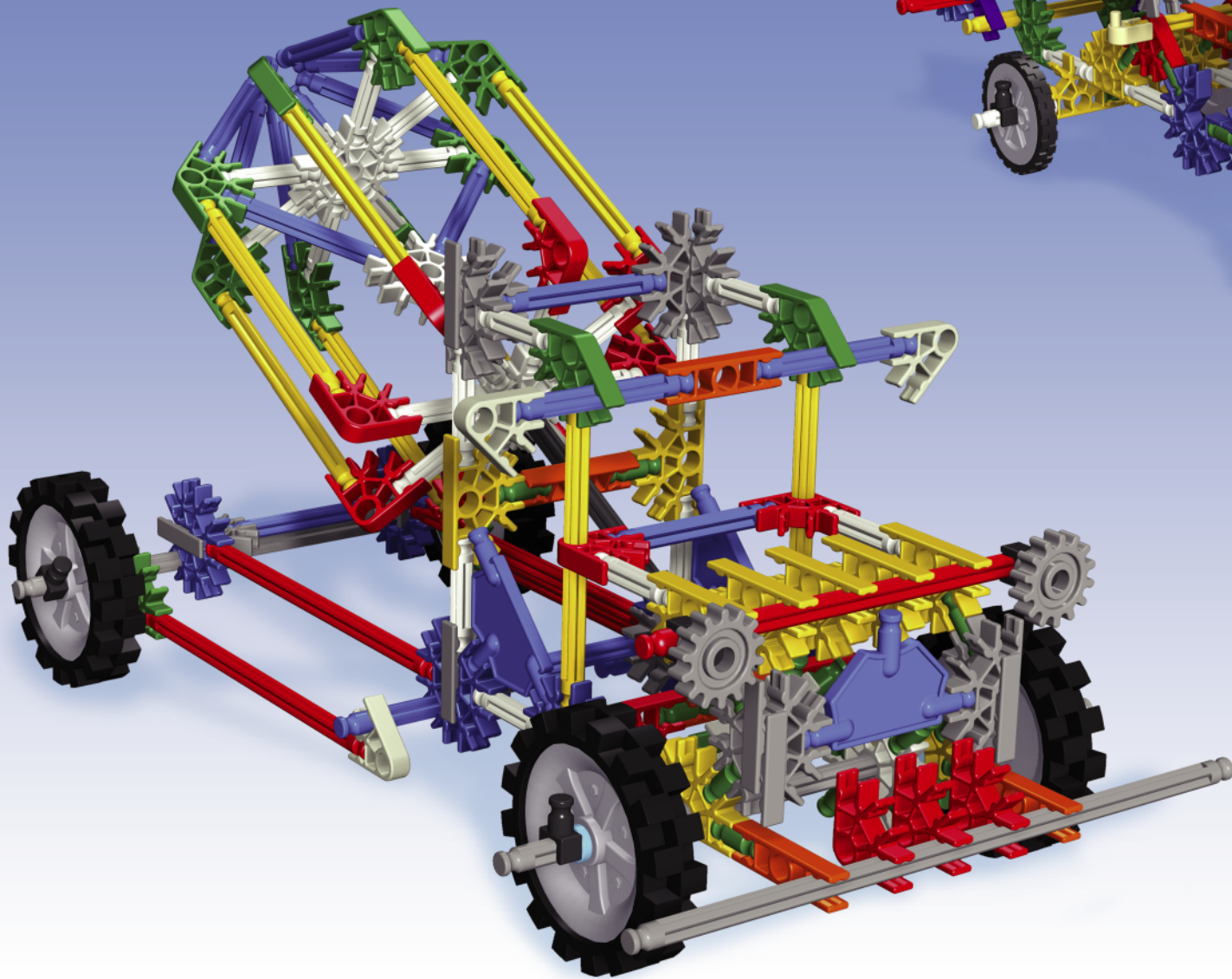




Want instructions for these models?

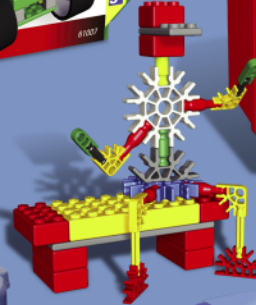
Visit our website at

[www.knex.com/casesets](http://www.knex.com/casesets) and enter  
code number **12316**.



# KNEX.COM

Sold separately.  
Vendus séparément.  
Se venden por separado.  
Separat erhältlich.  
Venduti separatamente.  
Vendidos separadamente.  
Afzonderlijk verkocht.  
Säljes separat.  
Sælges separat.  
Selges separat.  
Myydään erikseen.



Product and colors may vary. Models can be built one at a time.  
K'NEX is a registered trademark of K'NEX Limited Partnership Group.  
Le produit et les couleurs peuvent varier.  
La plupart des modèles ne peuvent être construits que un à un.  
K'NEX est une marque déposée de K'NEX Limited Partnership Group.  
El producto y los colores podrán variar.  
La mayoría de los modelos se puede construir uno a la vez.  
K'NEX es una marca registrada de K'NEX Limited Partnership Group.

Manufactured under U.S. Patents/Fabriqué sous brevets américains/Fabricado bajo patentes de EE.UU. 5,061,219; 5,199,919; 5,350,331; 5,137,486; D394,286.

Other U.S. and foreign patents pending. Conforms to ASTM F963-03.  
Autres brevets américains et étrangers en instance. Conforme aux ASTM F963-03. Otras patentes de EE.UU. y países extranjeros pendientes. Cumple con F963-03 de la ASTM.



**US** 1-800-KID-KNEX USA/Canada only (English only)

**GB** 00800-22427276 UK/Ireland only  
Customer Service outside the USA, CAN, GBR please contact local distributor.  
Distributor information can be found at:  
<http://www.knex.com/contact/international.php>



[email@knex.com](mailto:email@knex.com)



**US** Consumer Services  
K'NEX  
P.O. Box 700  
Hatfield, PA 19440-0700

**GB** K'NEX  
Newport Consumer Services  
Hasbro UK Ltd., Caswell Way  
Newport, Gwent NP9 0YH

©2007 K'NEX Limited Partnership Group  
P.O. Box 700  
Hatfield, PA 19440-0700  
408024.11-V1-05/07