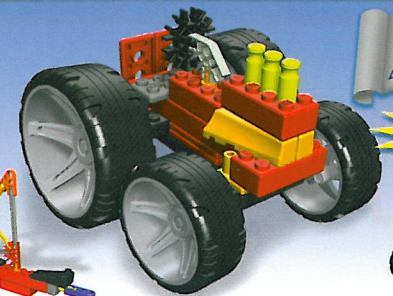


15th
ANNIVERSARY
400^{pc}



WARNING: CHOKING HAZARD - Small parts. Not for children under 3 years.
AVERTISSEMENT: DANGER D'ÉTOUFFEMENT - Pièces de petite taille. Ne pas donner aux enfants de moins de 3ans.

400 pcs/pzs/pzas 13514/71337

Questions? Call Customer Service at 1-800-KID-KNEX (U.S.A./Canada only) or call 00800-22427276 (UK/Ireland only)
Write to email@knex.com or visit www.knex.com
For Customer Service outside the USA, CAN, GBR please contact local distributor. Distributor information can be found at: <http://www.knex.com/contact/international.php>
Le Service clients hors d'USA et CAN, s'il vous plaît contacter le distributeur local. L'information de distributeur peut être trouvée à <http://www.knex.com/contact/international.php>
Product & colors may vary. Standard K'NEX parts made in the U.S.A. Special components made in China.
K'NEX is a registered trademark of K'NEX Industries, Inc.
Pièce K'NEX courantes fabriqués aux États-Unis. Éléments spéciaux fabriqués en Chine. Fabriqués aux États-Unis. K'NEX hechas en EE.UU. Produits et couleurs peuvent varier. K'NEX est une marque déposée de K'NEX Industries, Inc. Componentes especiales hechas en China. Hecho en los EE.UU. El producto y los colores pueden variar. K'NEX es una marca registrada de K'NEX Industries, Inc.
Manufactured under U.S. Patents/Fabriqué sous brevets américains/Fabricado bajo patentes de EE.UU. 5,061,219; 5,137,486; 5,199,919; 5,350,331.
Other U.S. and foreign patents pending. Autres brevets américains et étrangers en instance. Otras patentes de EE.UU. y países extranjeros pendientes.

93194/407470.11-V1-02/07

1 Attach red 1x4 Technic brick to yellow 1x6 Technic brick.
2 Insert axle through the holes in the red brick.
3 Attach yellow 1x6 Technic brick to the front of the chassis.
4 Attach red 1x4 Technic brick to the yellow brick.
5 Attach black 1x4 Technic axle with gears.
6 Attach grey 1x4 Technic axle with gears.
7 Attach green 1x2 Technic axle with gears.
8 Attach blue 1x2 Technic axle with gears.



1 Attach red 1x4 Technic brick to yellow 1x6 Technic brick.
2 Insert axle through the holes in the red brick.

1 Attach red 1x4 Technic brick to yellow 1x6 Technic brick.
2 Insert axle through the holes in the red brick.

3 Attach yellow 1x6 Technic brick to the front of the chassis.
4 Attach red 1x4 Technic brick to the yellow brick.
5 Attach black 1x4 Technic axle with gears.

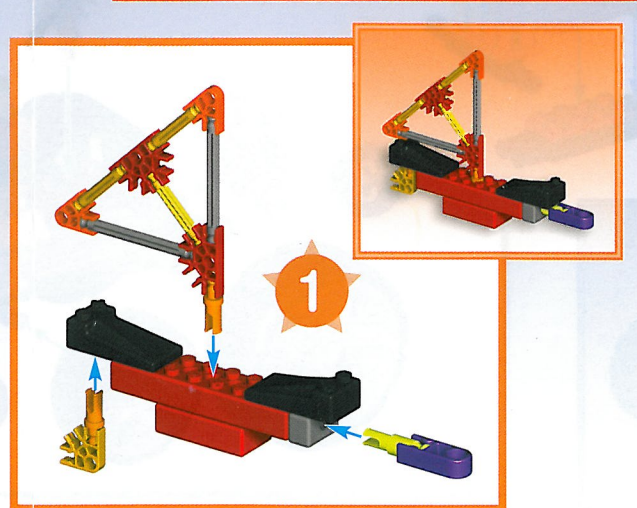
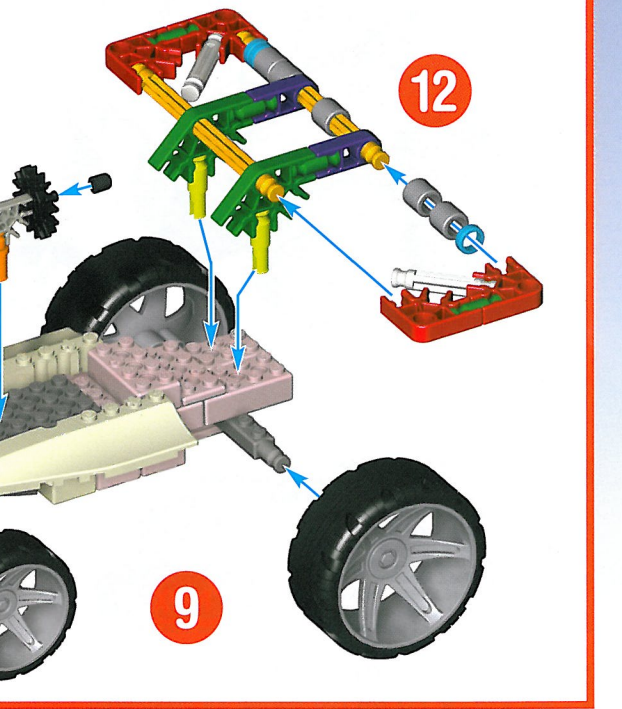
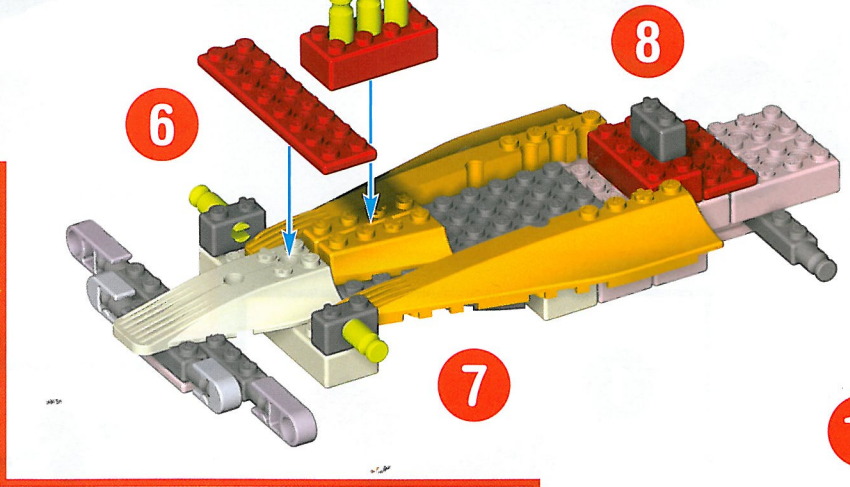
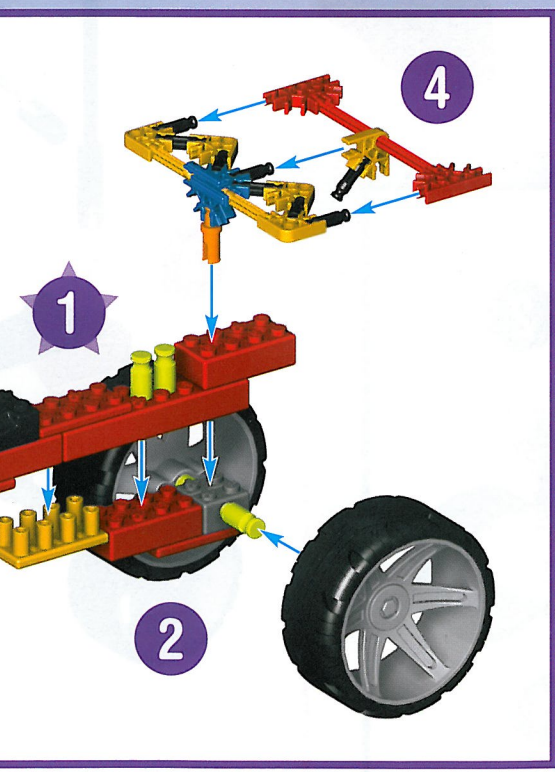
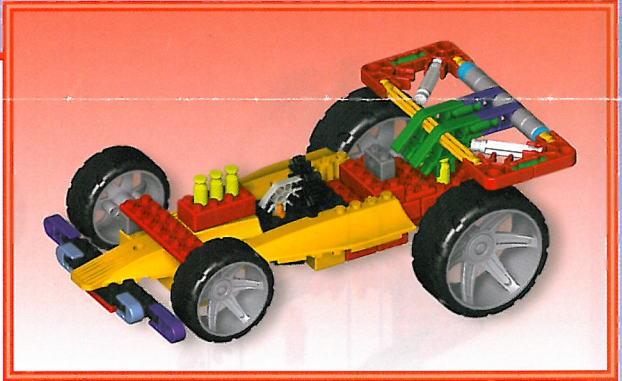
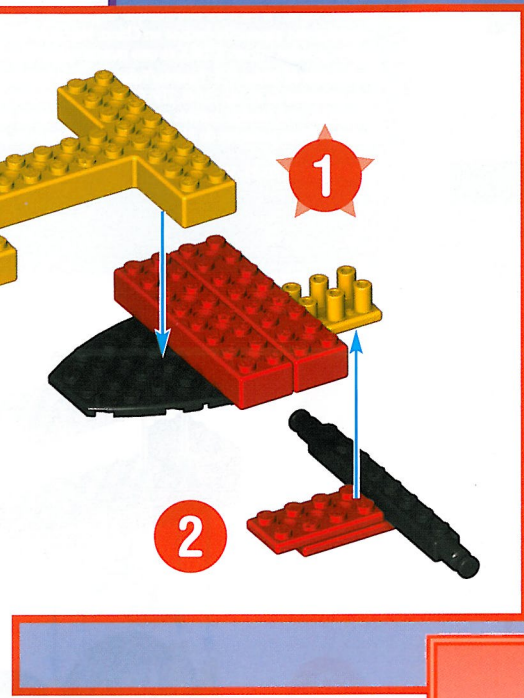
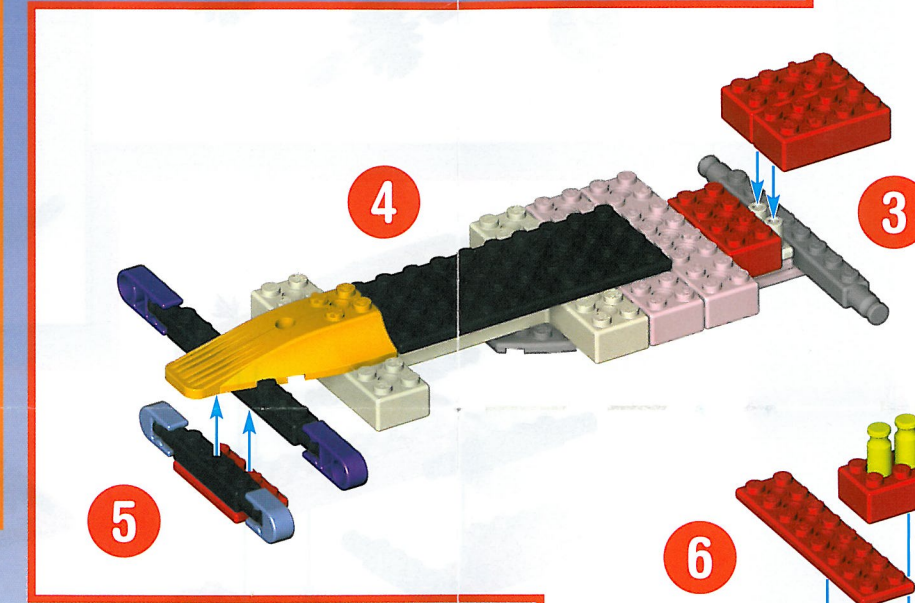
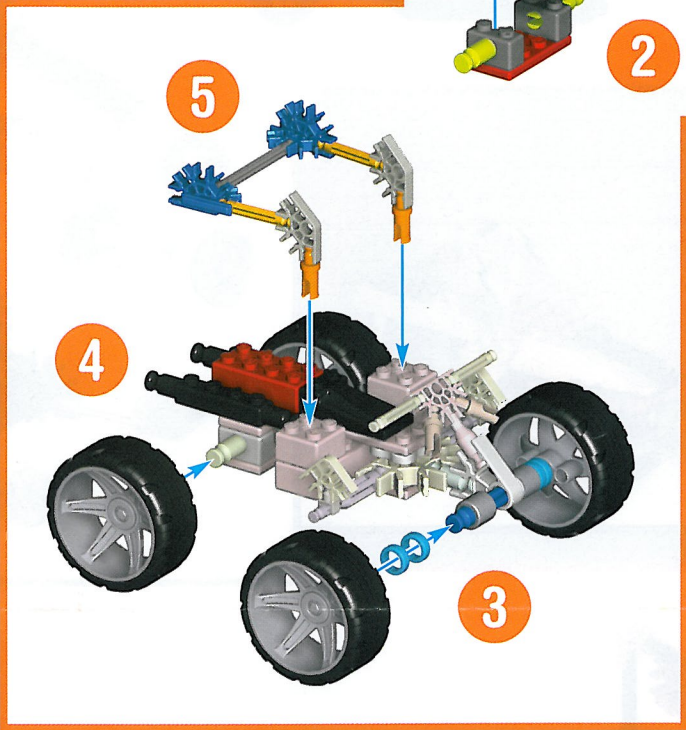
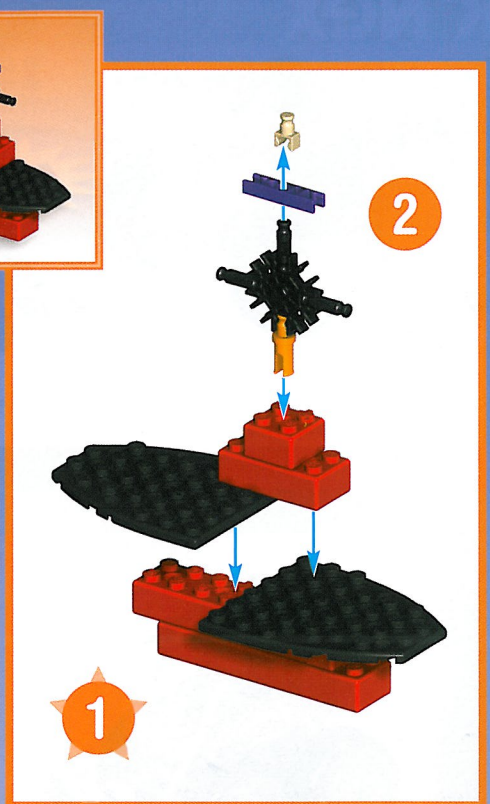
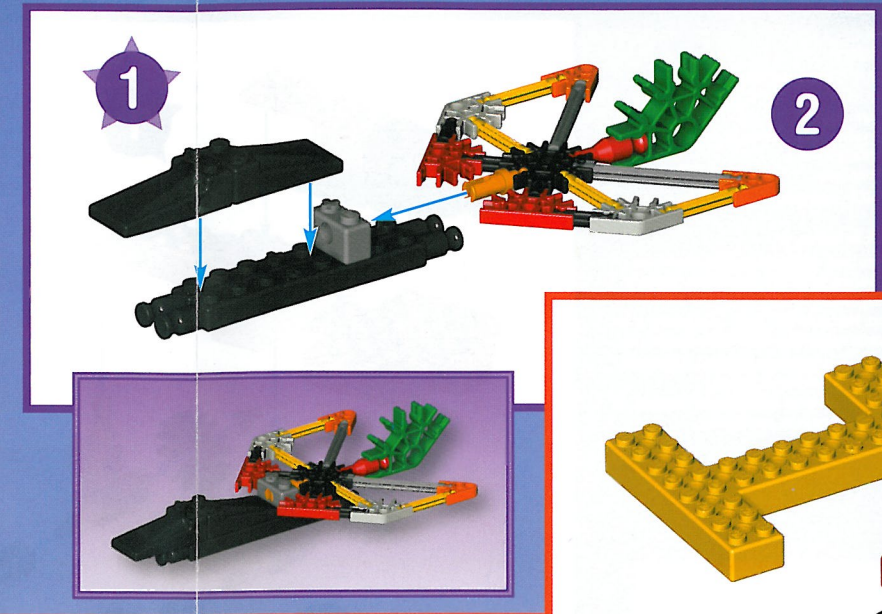
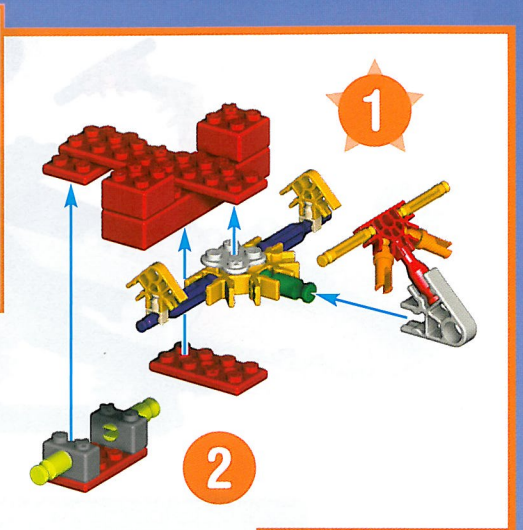
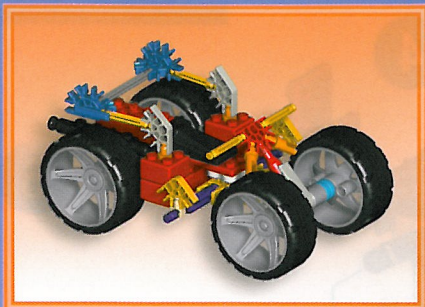
1 Attach red 1x4 Technic brick to yellow 1x6 Technic brick.
2 Insert axle through the holes in the red brick.
3 Attach yellow 1x6 Technic brick to the rear of the chassis.
4 Attach red 1x4 Technic brick to the yellow brick.

3 Attach yellow 1x6 Technic brick to the rear of the chassis.
4 Attach red 1x4 Technic brick to the yellow brick.
5 Attach black 1x4 Technic axle with gears.



● Identifies Genuine K'NEX Bricks.
● Identifie que ce sont d'authentiques briques K'NEX.
● Identifica los ladrillos genuinos de K'NEX.
● Identifiziert echte K'NEX-Bausteine.
● Identifica i veri blocchi K'NEX.
● Identifica que são cubos genuinos da K'NEX.
● Identificeert K'NEX bakstenen voor.
● Anger dikta K'NEX klössar.
● Identificerer ægte K'NEX murstein.
● Identificerer ekte K'NEX murstein.
● Osoittaa aitoja K'NEX paloja.





For instructions of these models go to www.knex.com/instructions and enter code 13514

