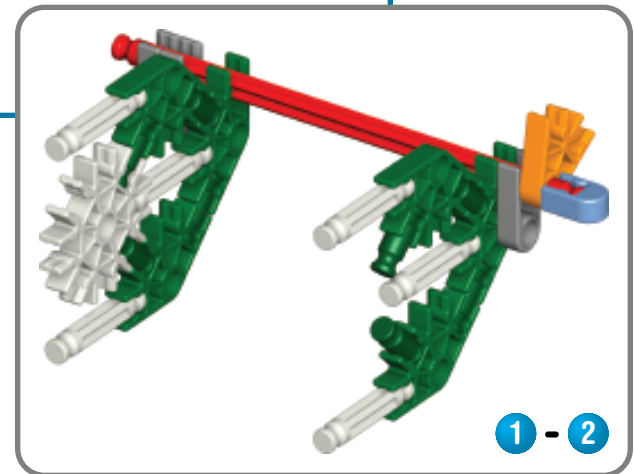
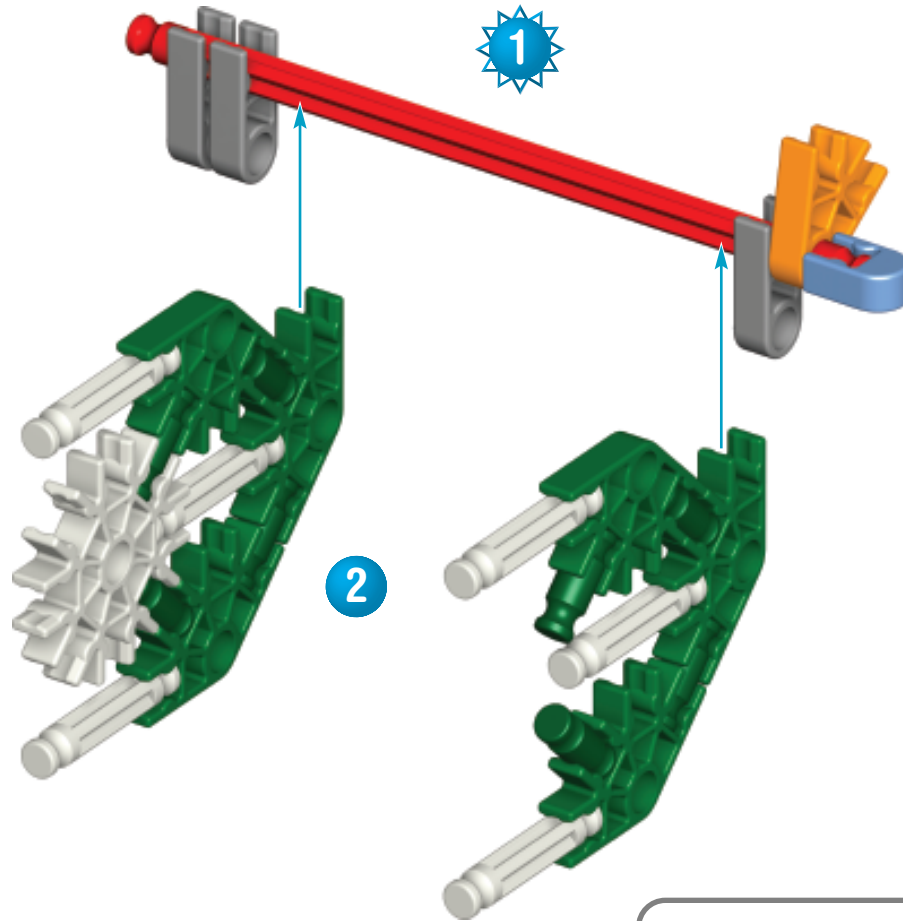
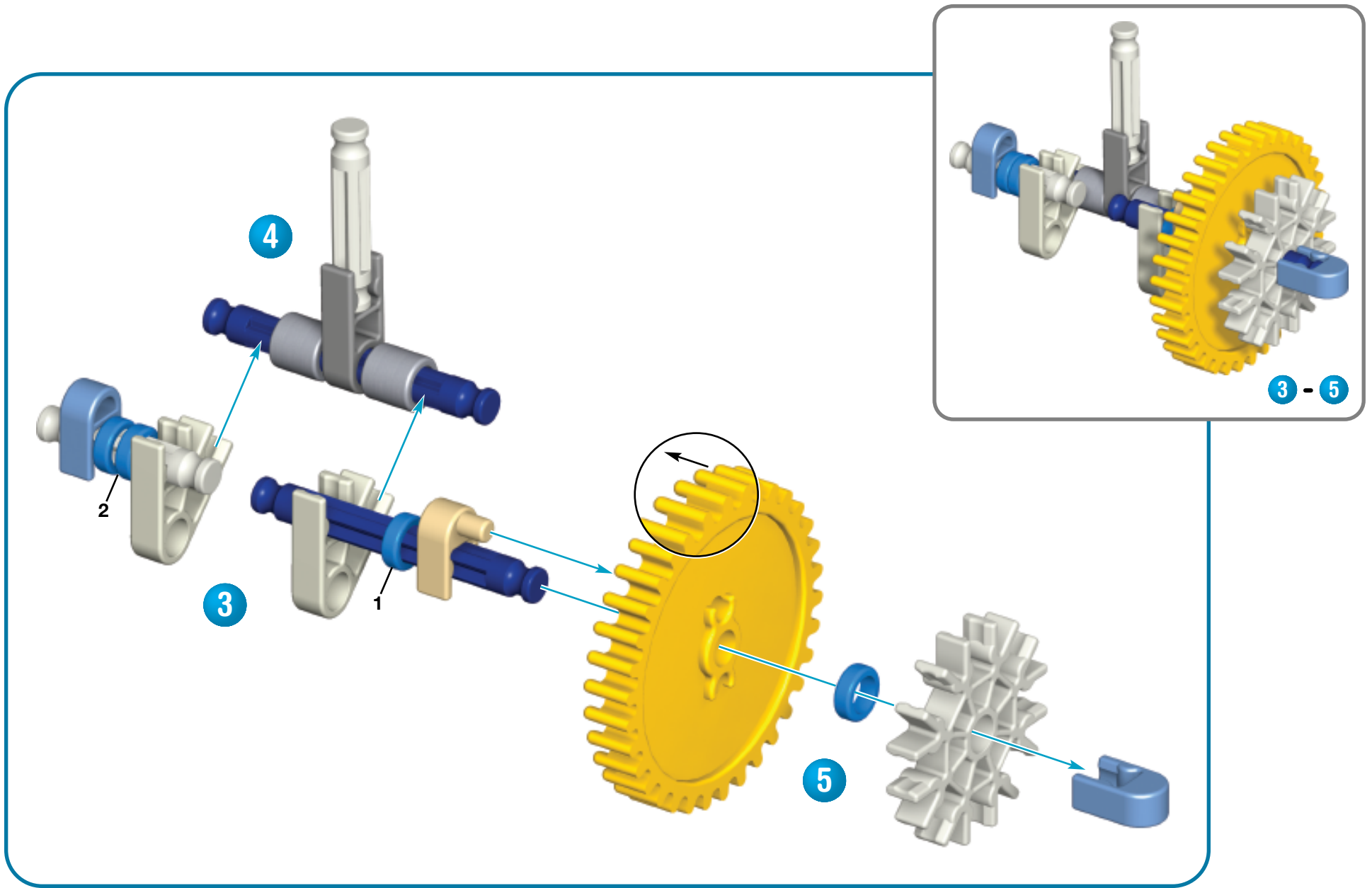
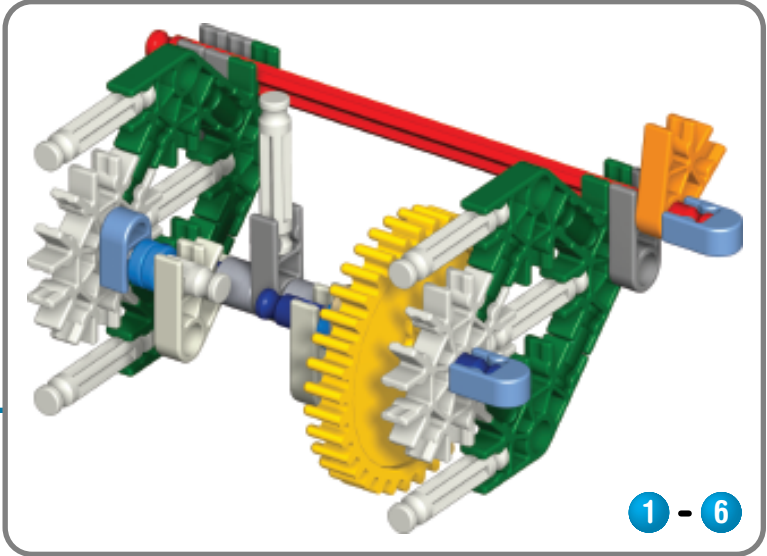
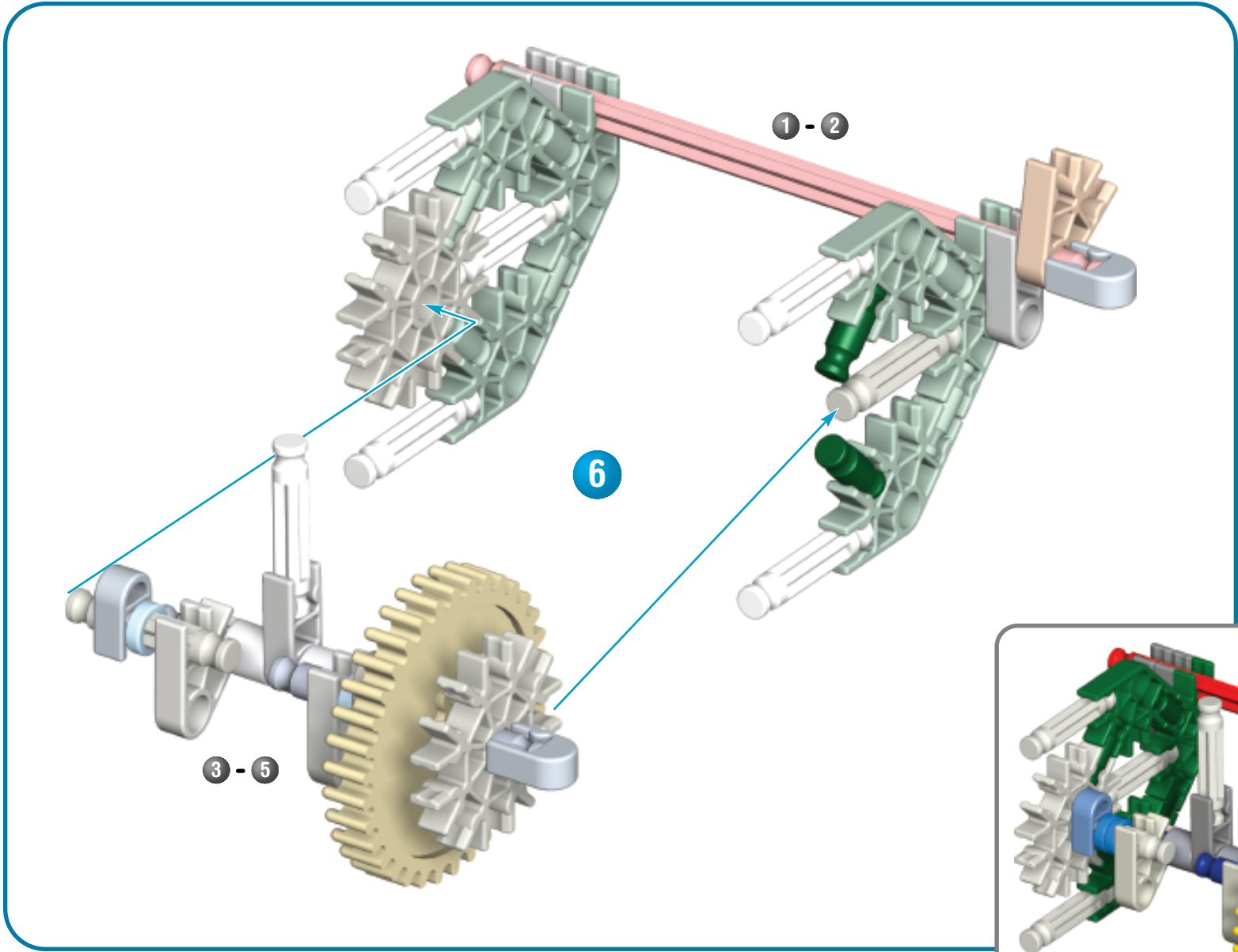
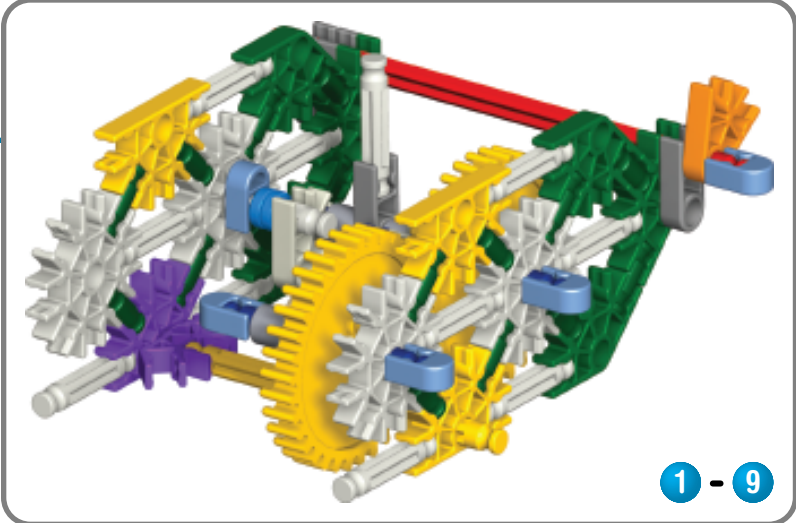
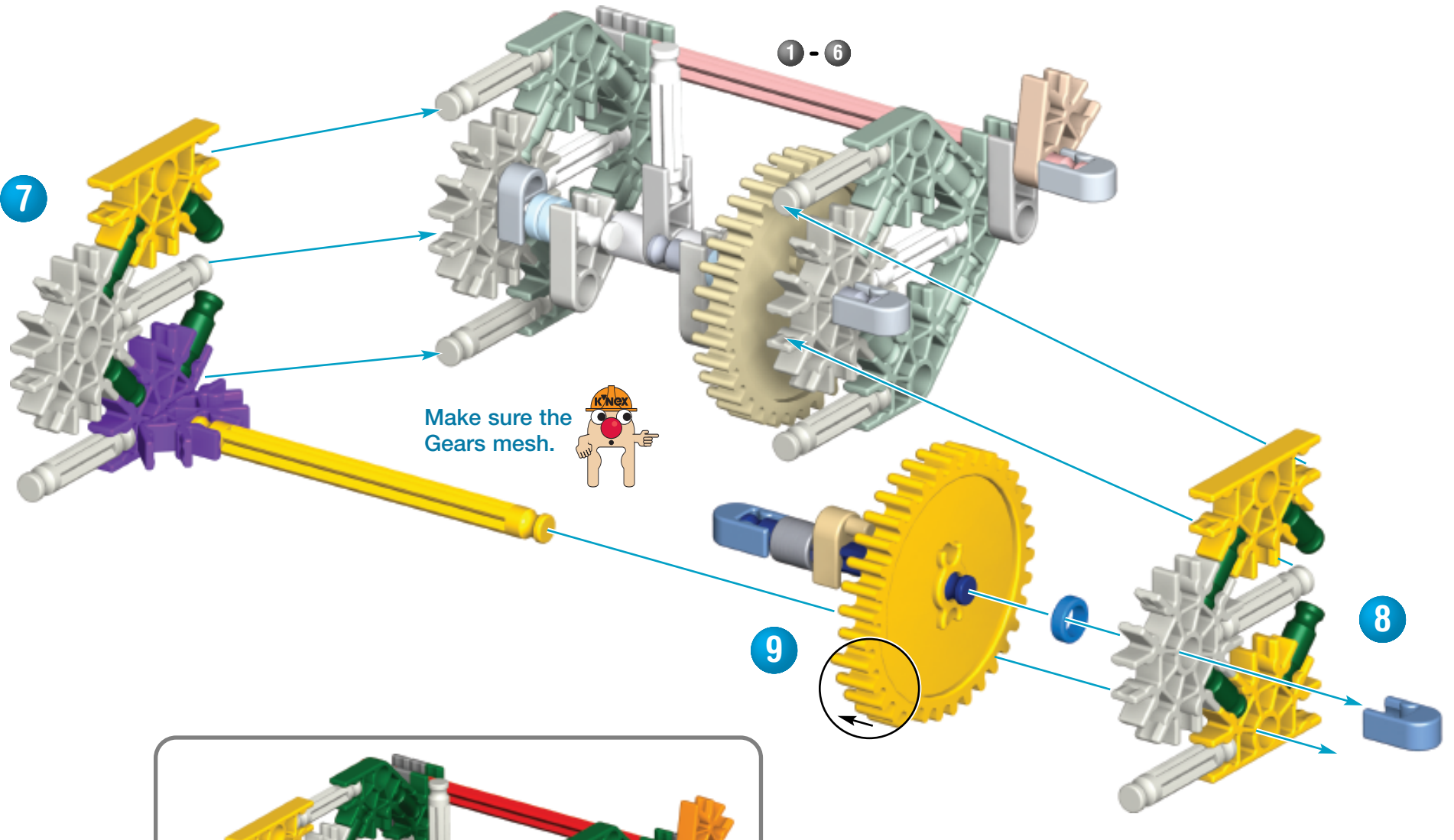


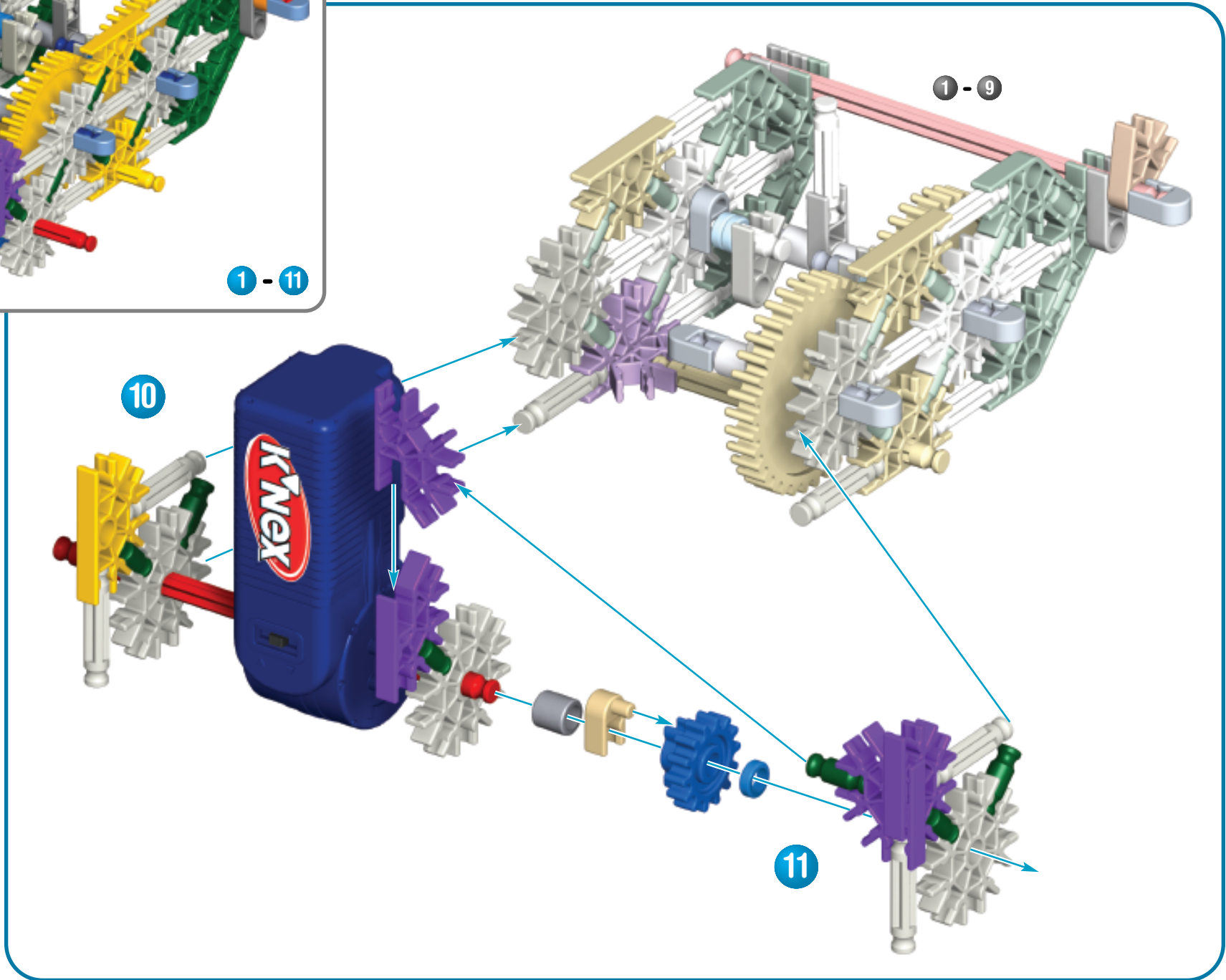
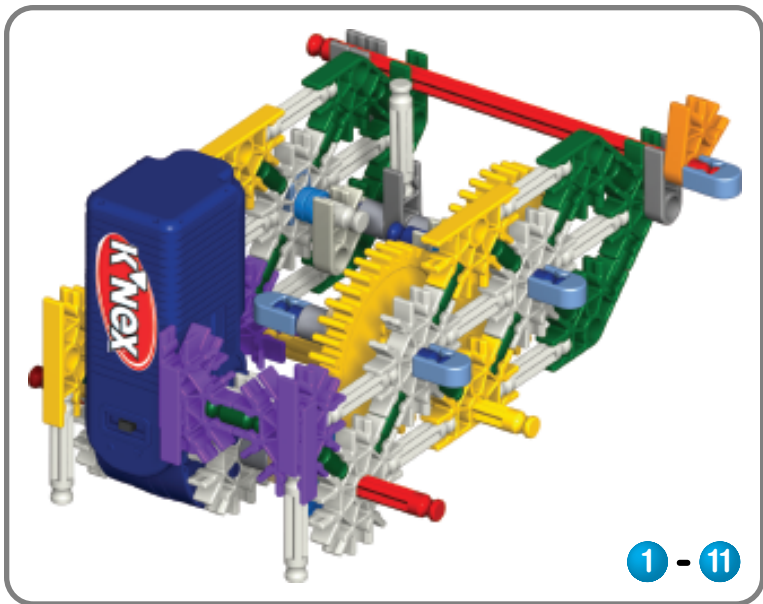
DUMP TRUCK

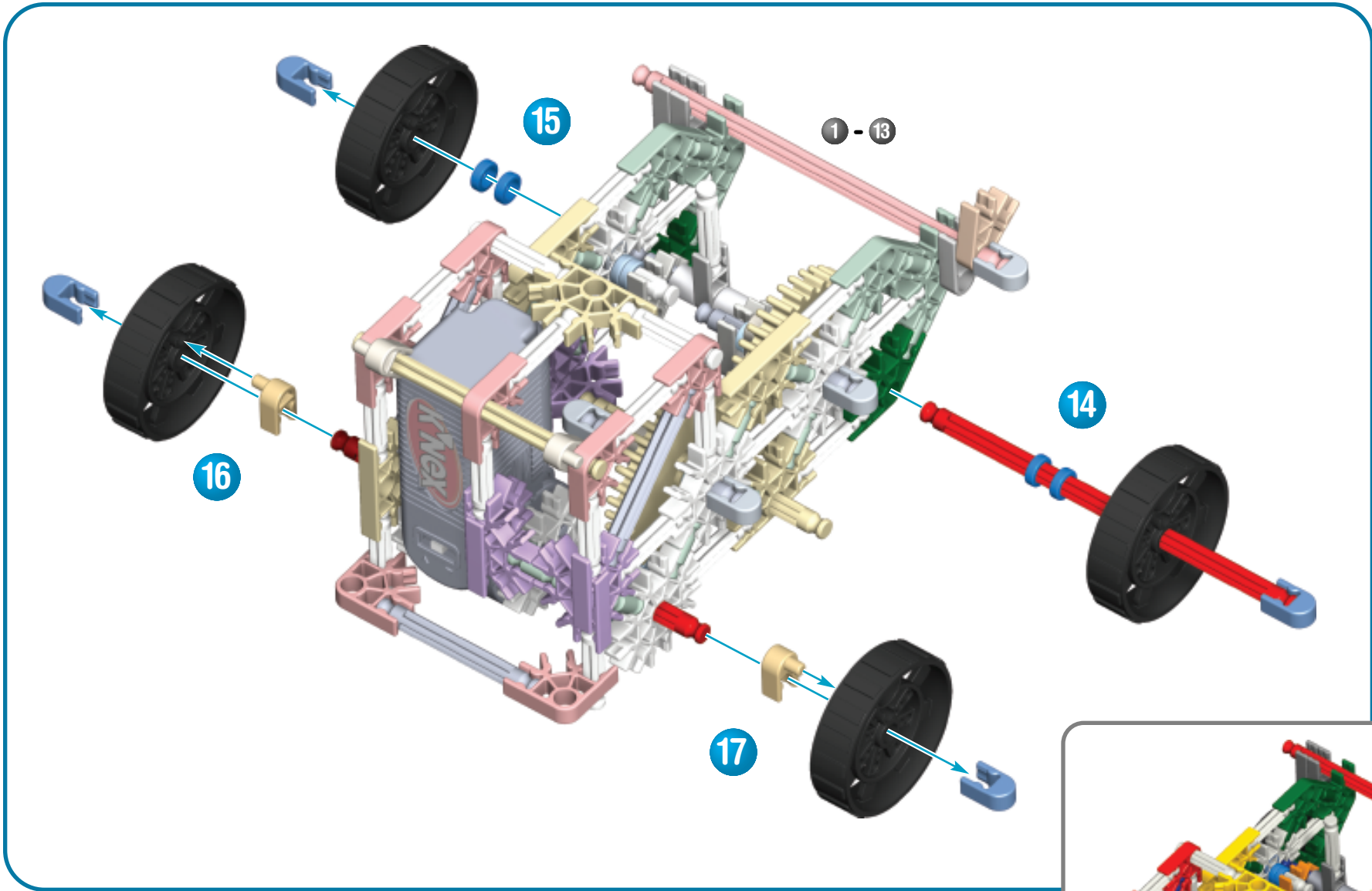


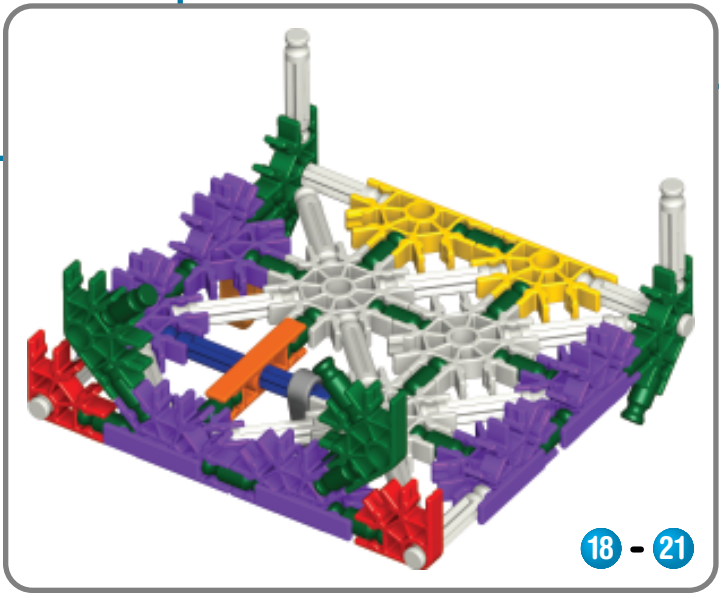
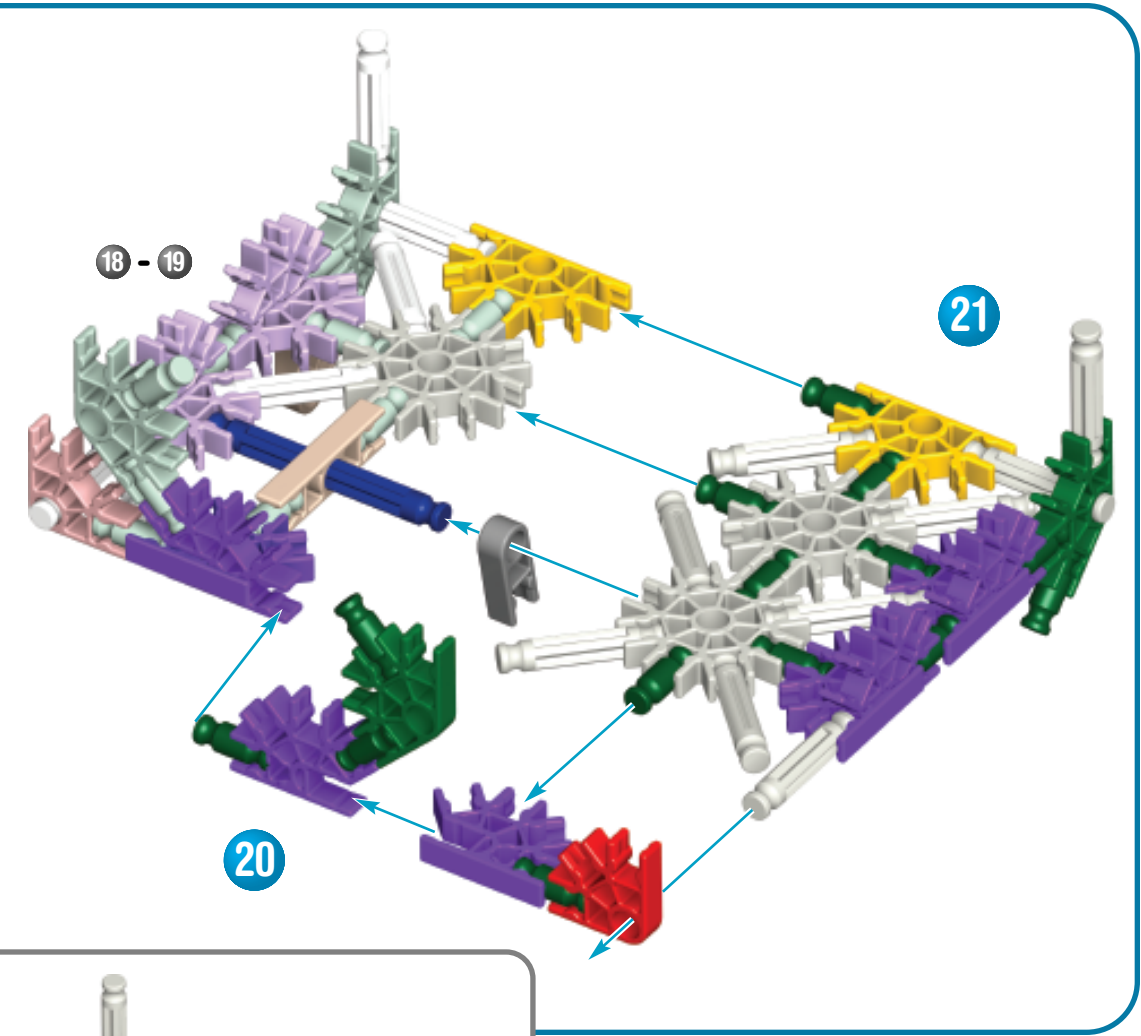
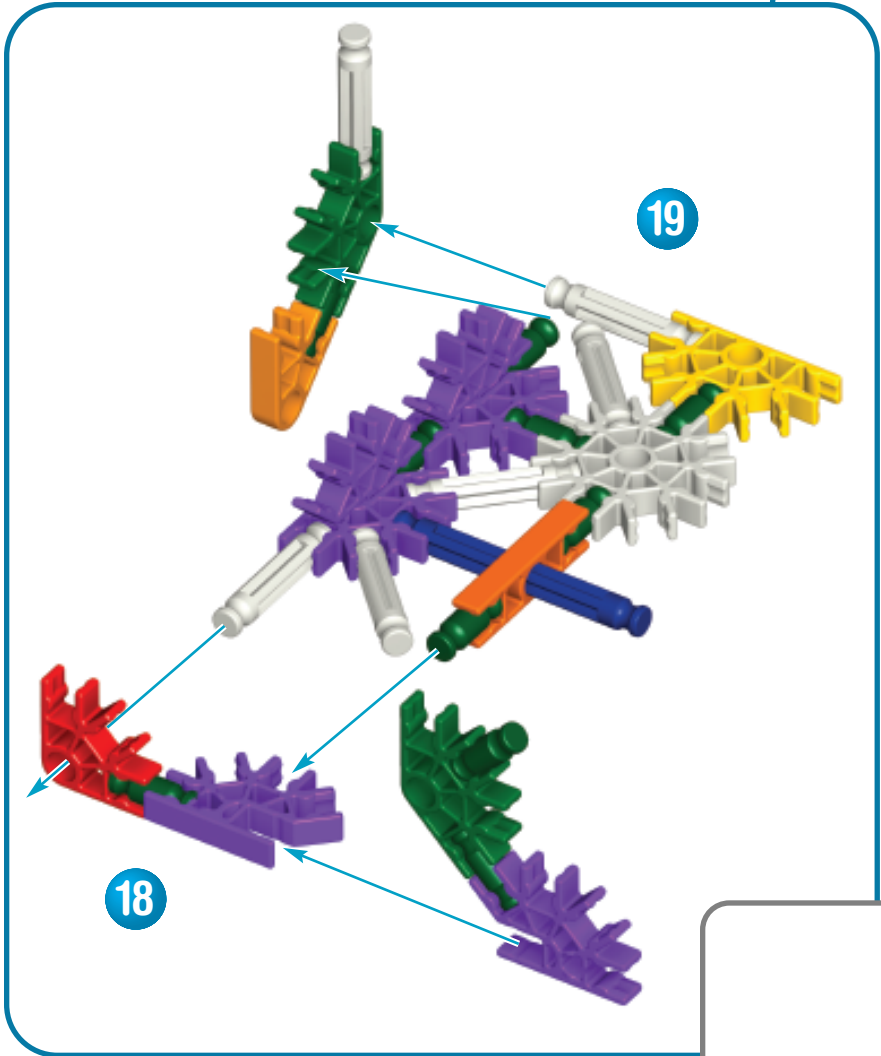


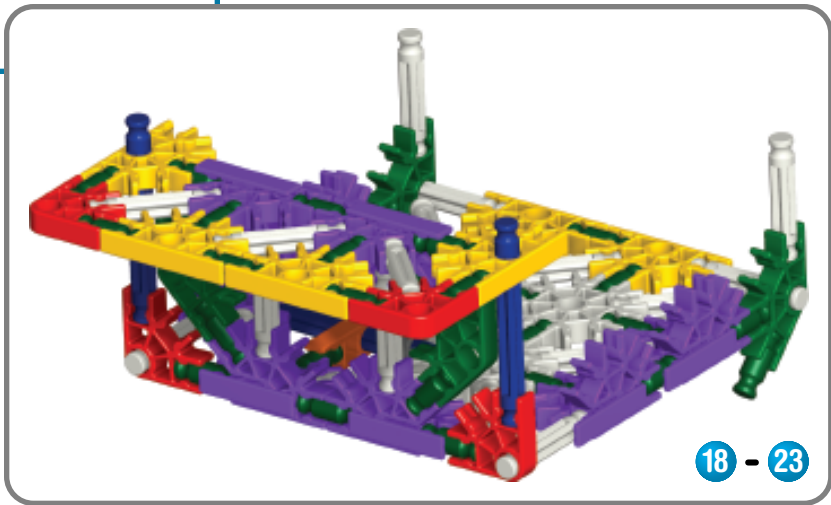
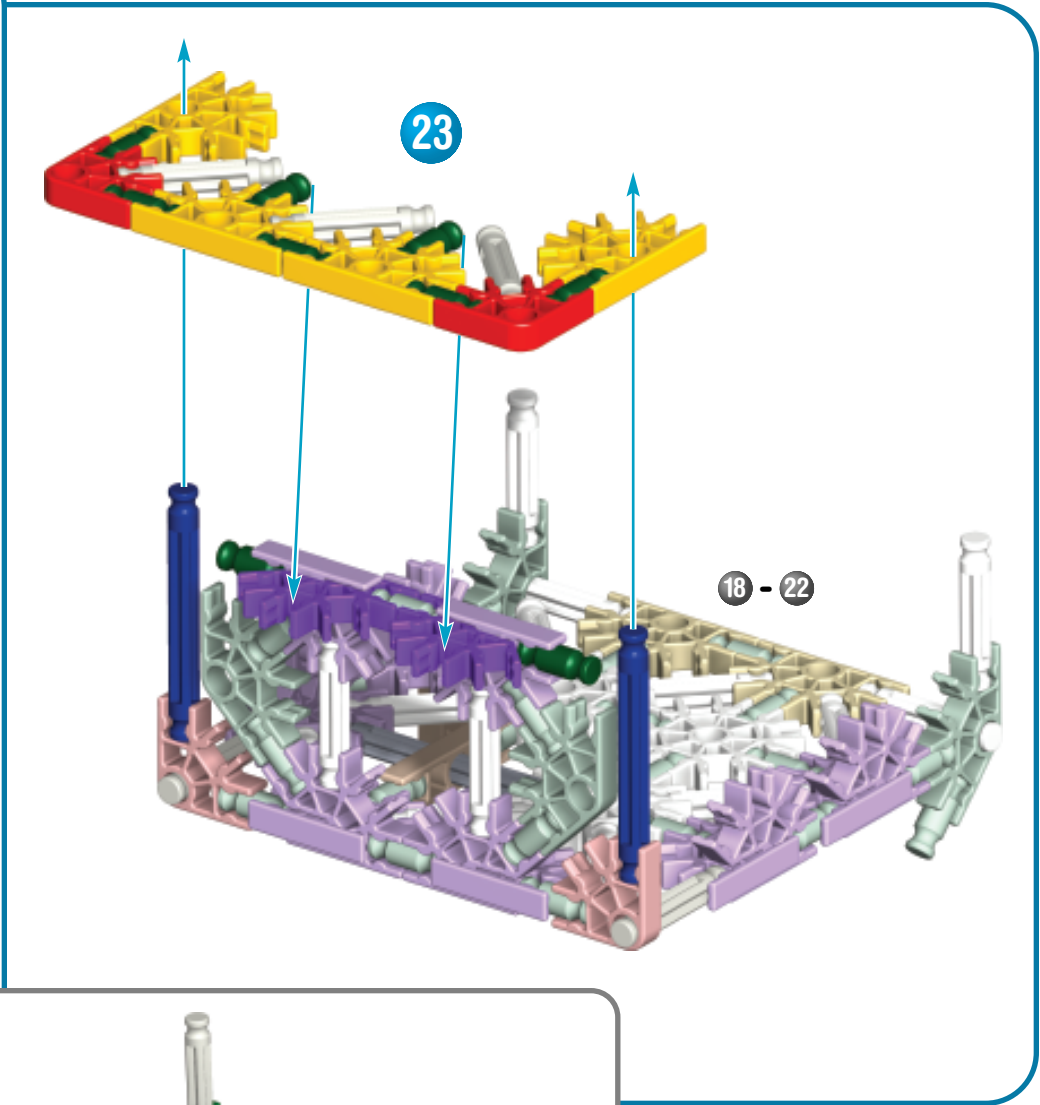
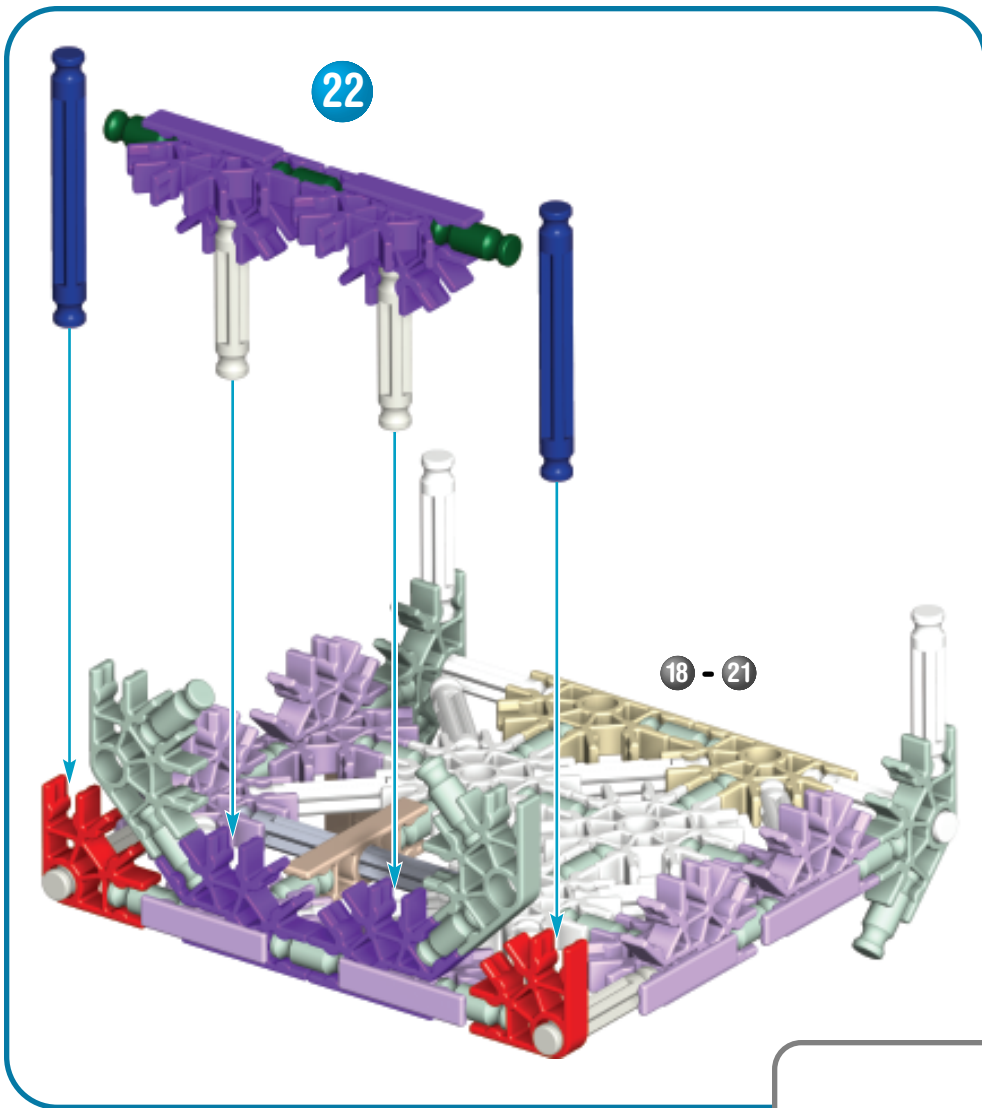


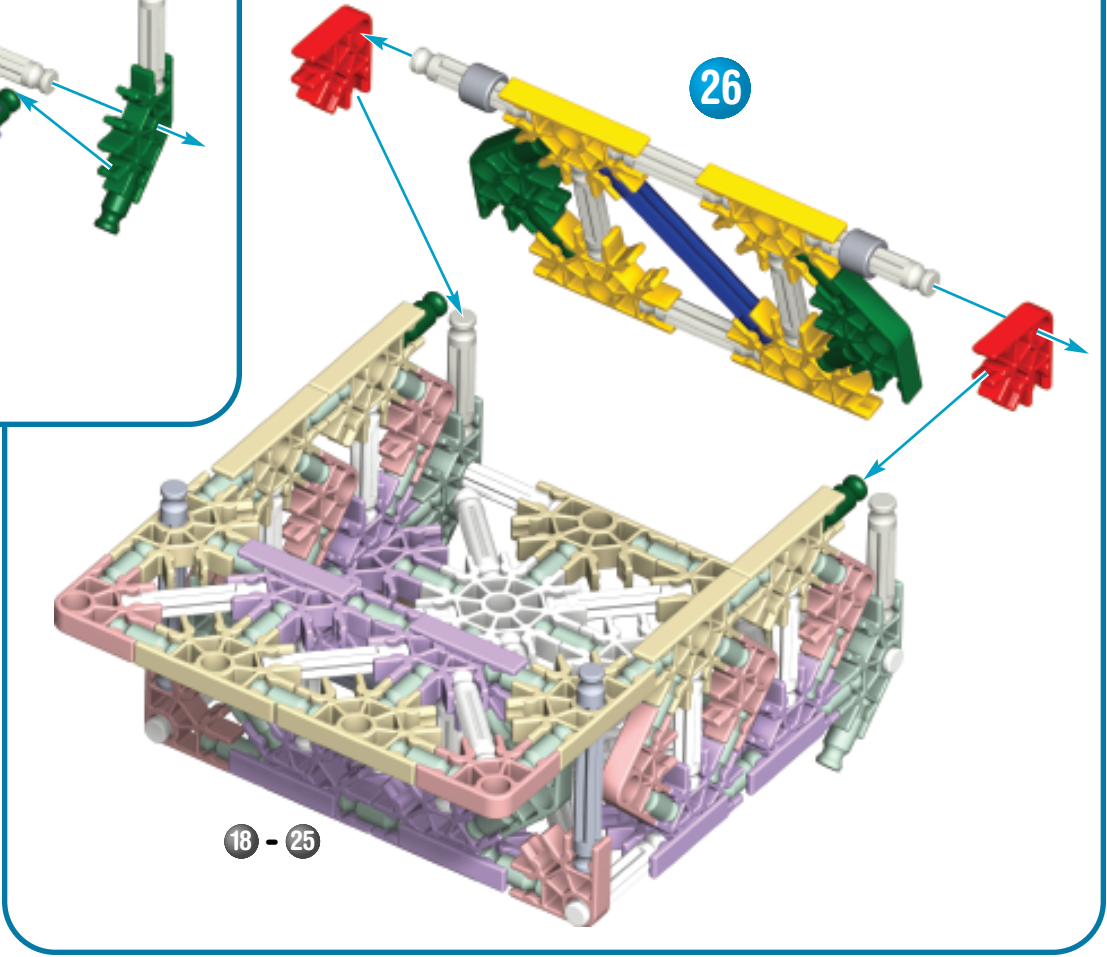
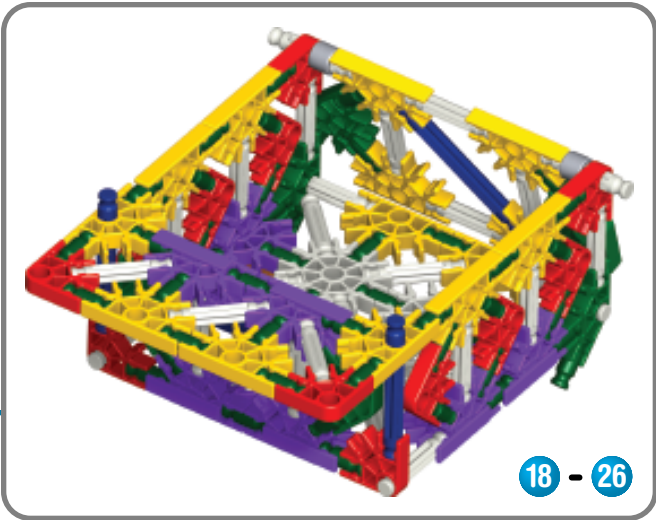
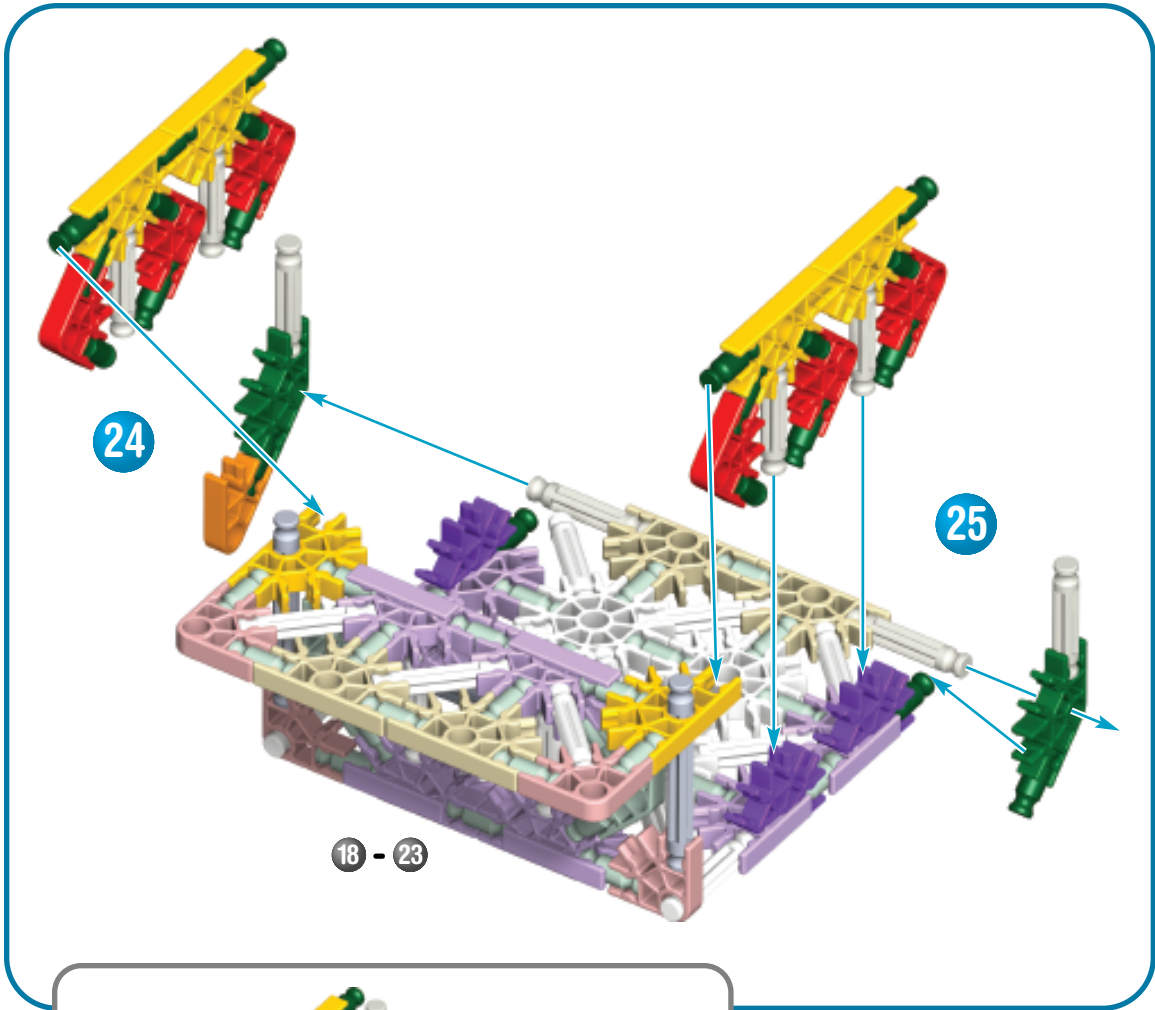


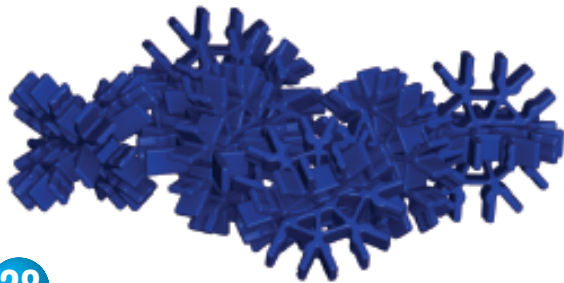




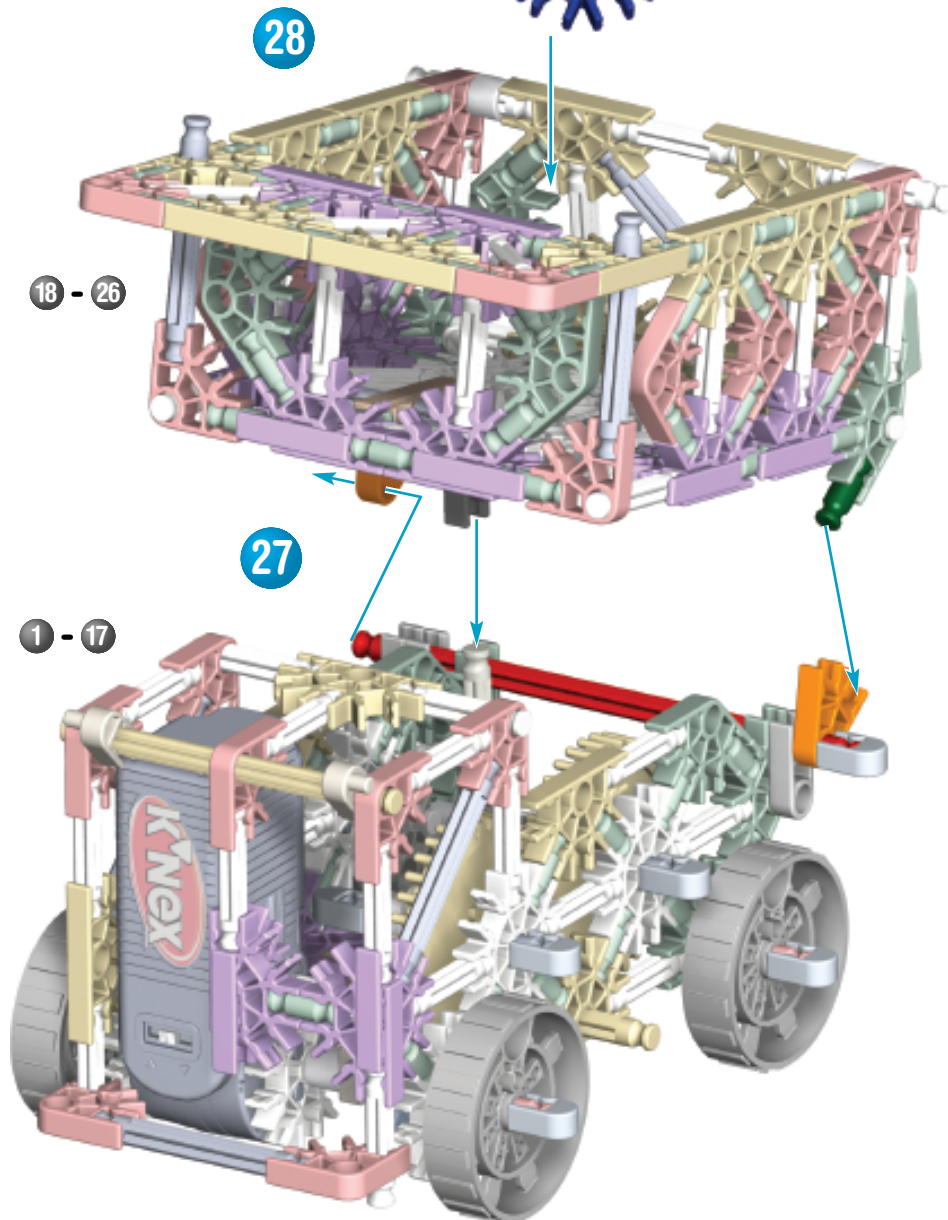




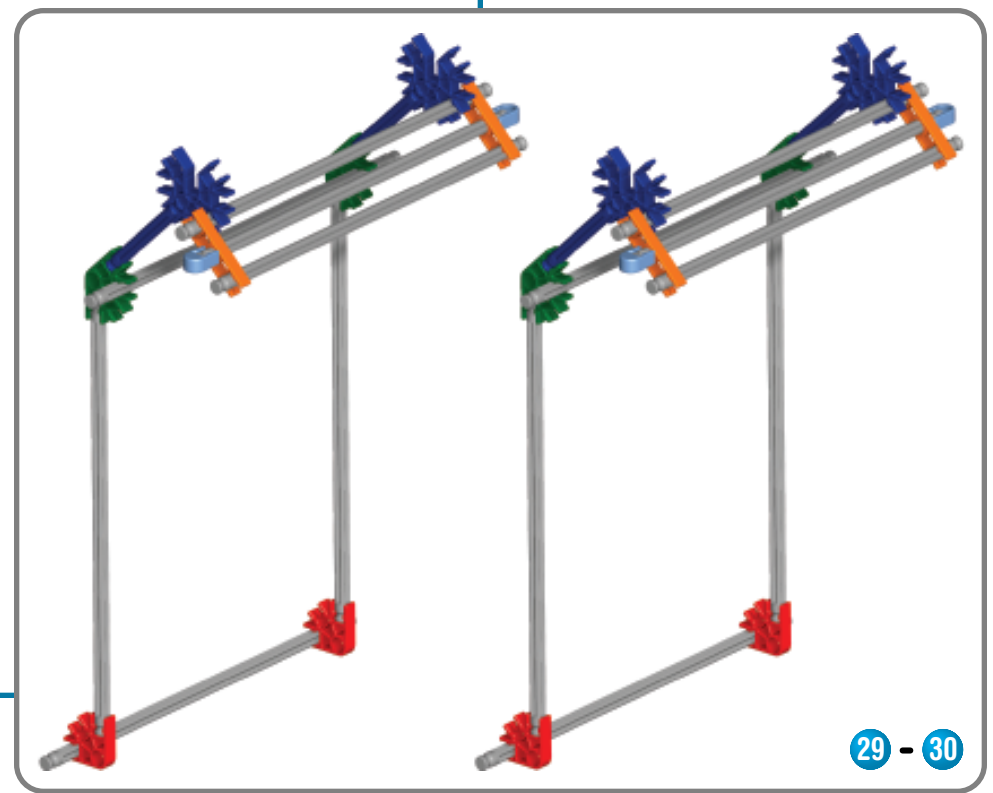
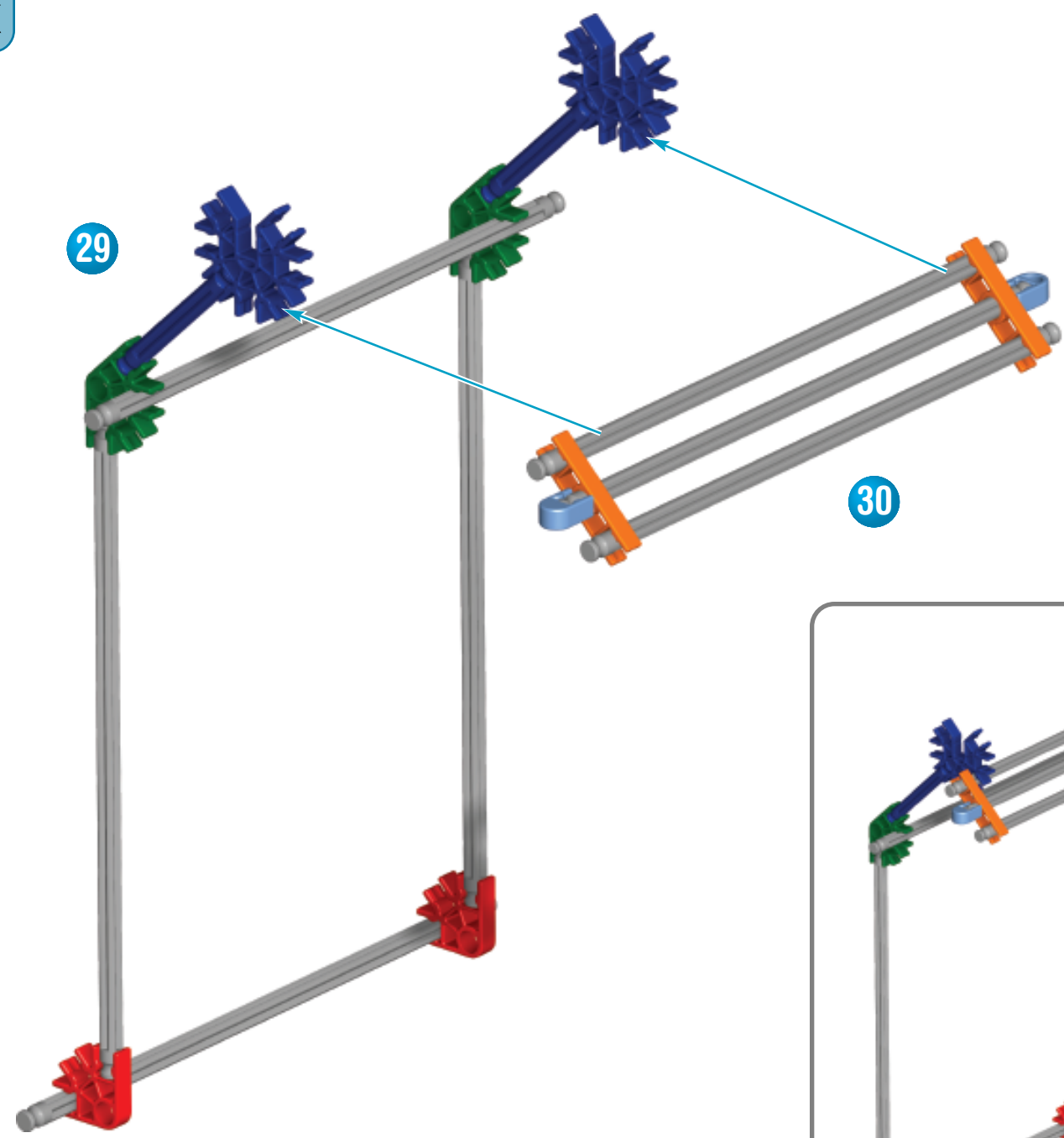


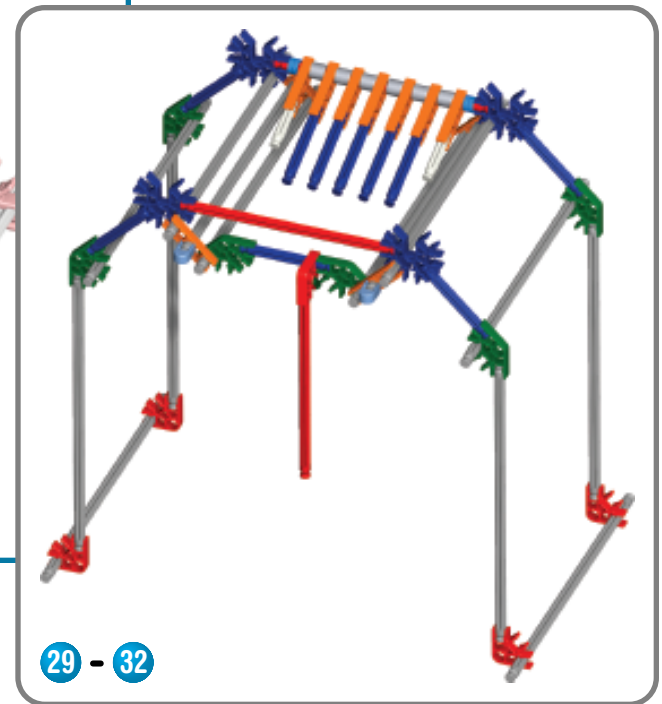
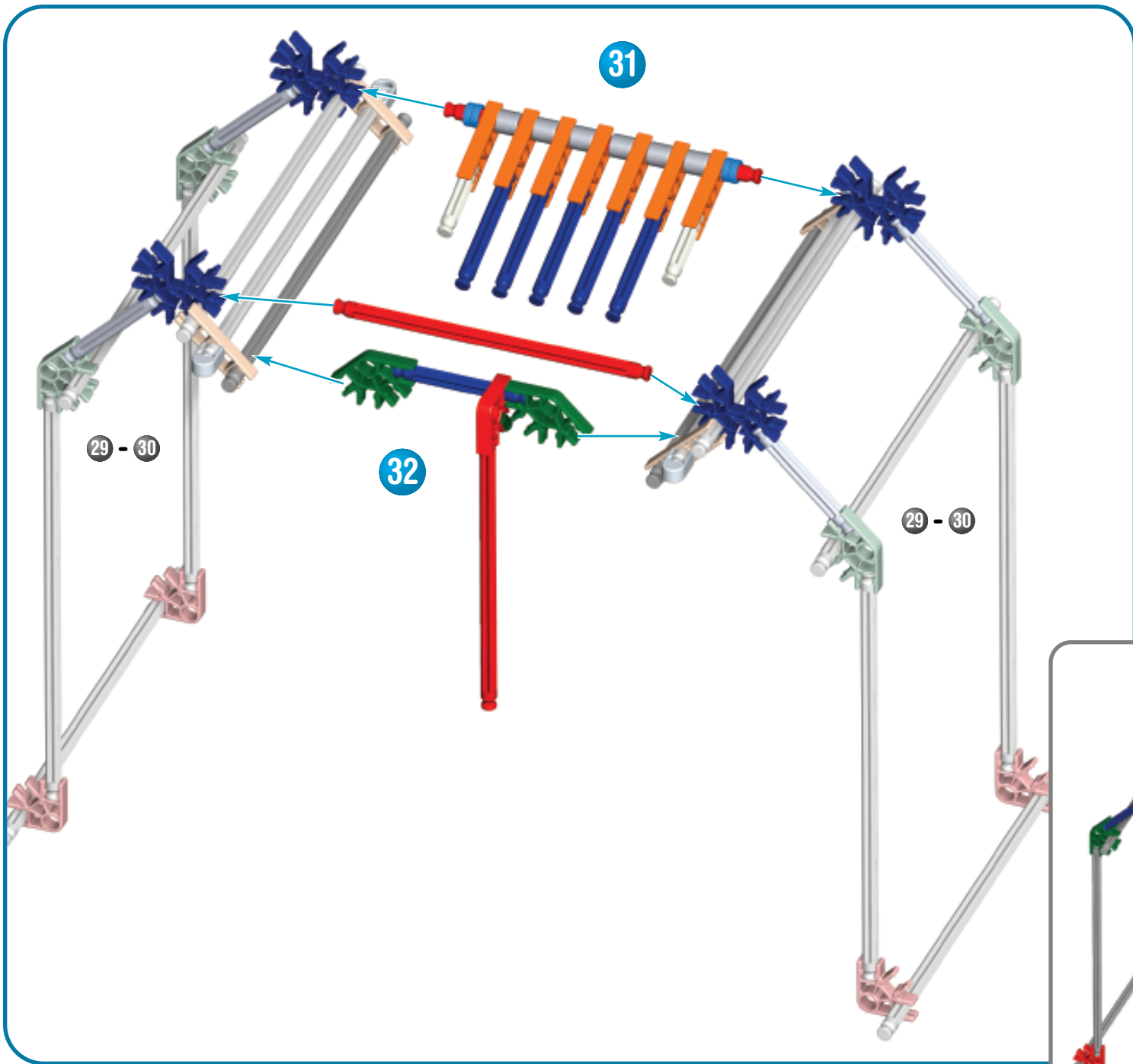


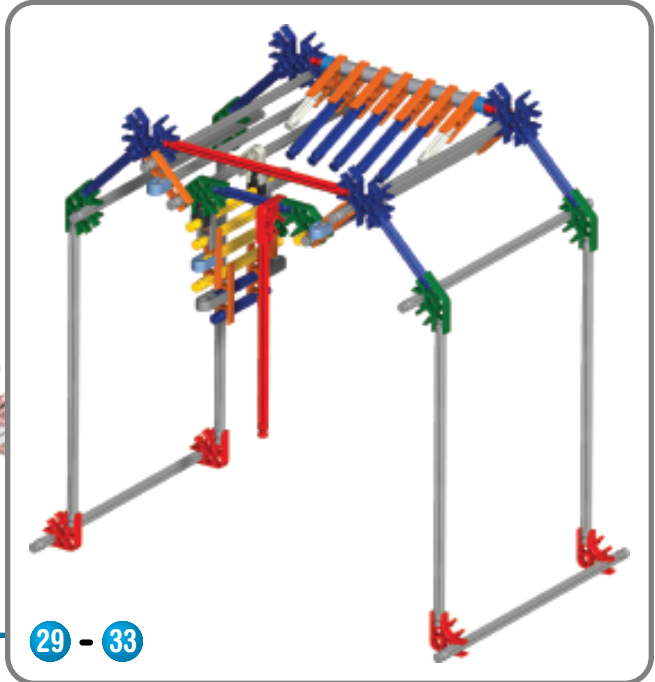
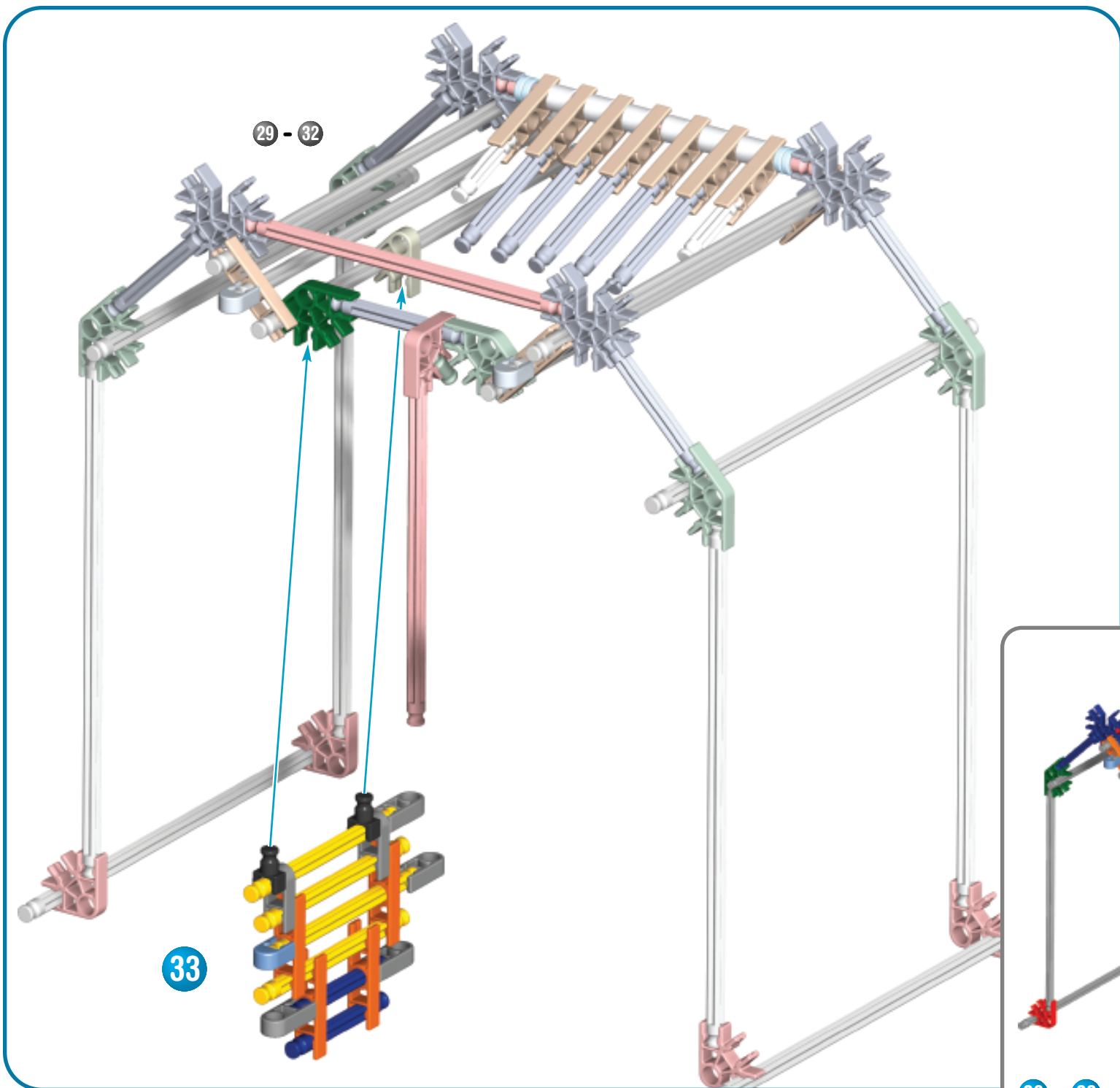
You can use your extra K'NEX pieces to fill up your model.

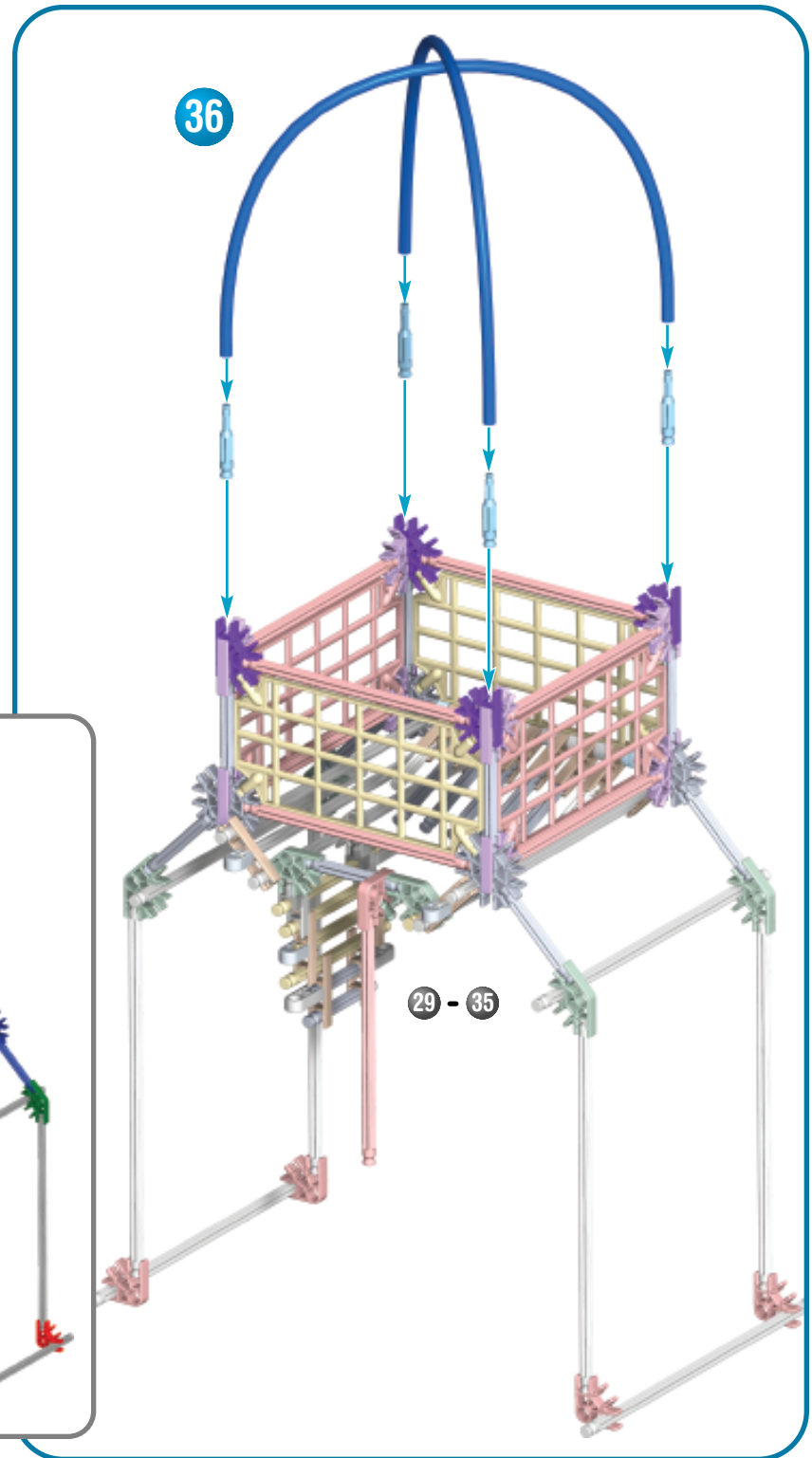
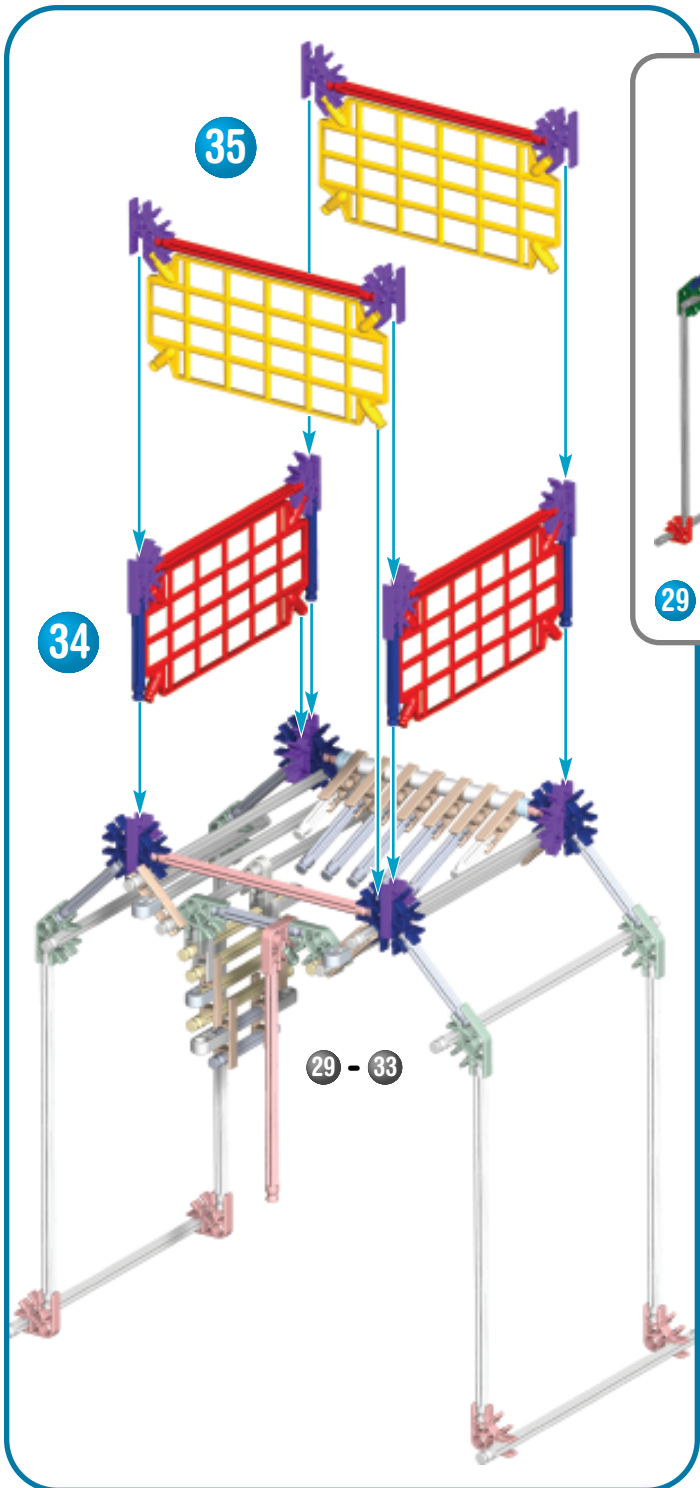


2x











PLAY FEATURE



When your model runs into this Rod, it will release load from above.

