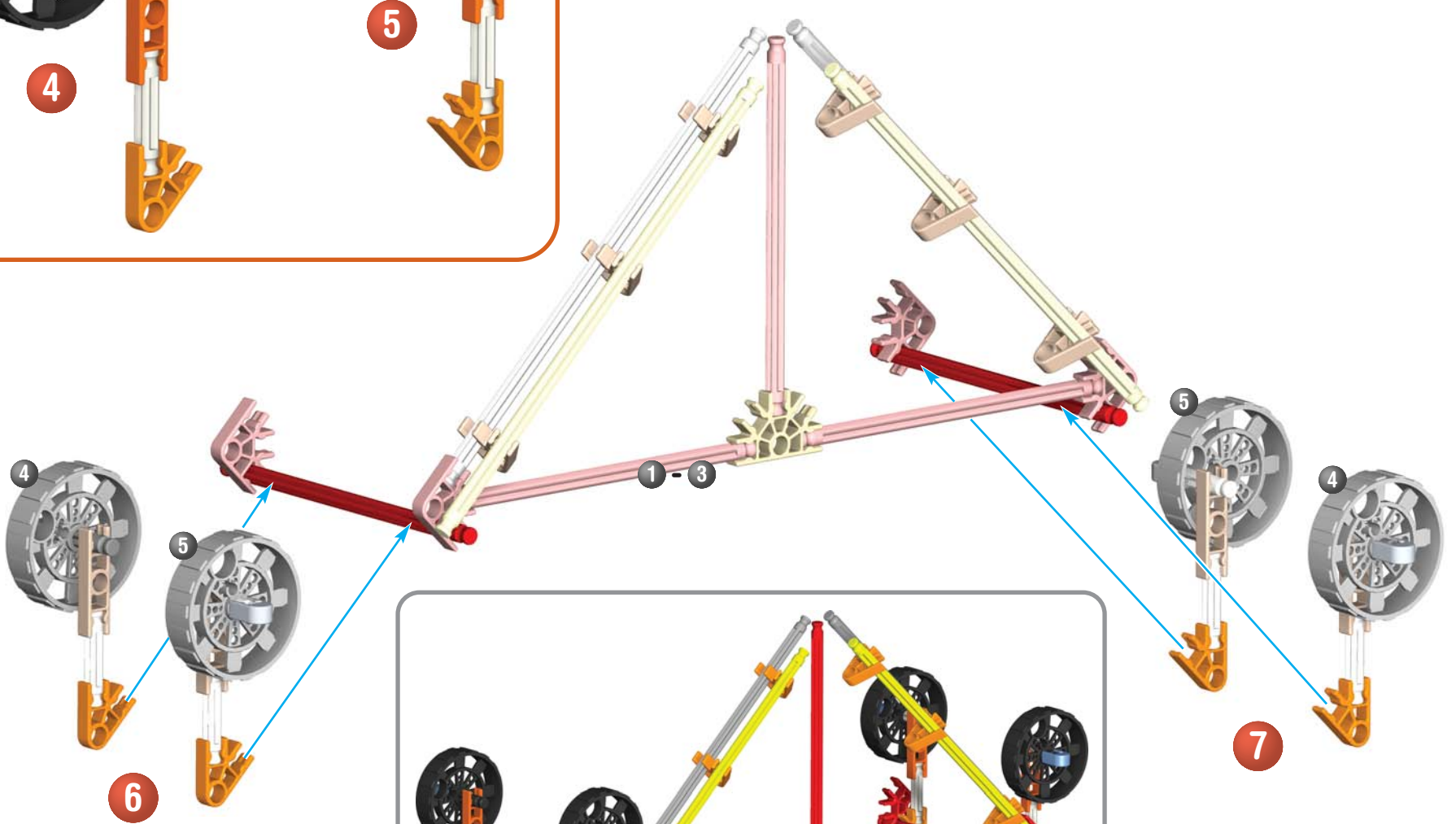
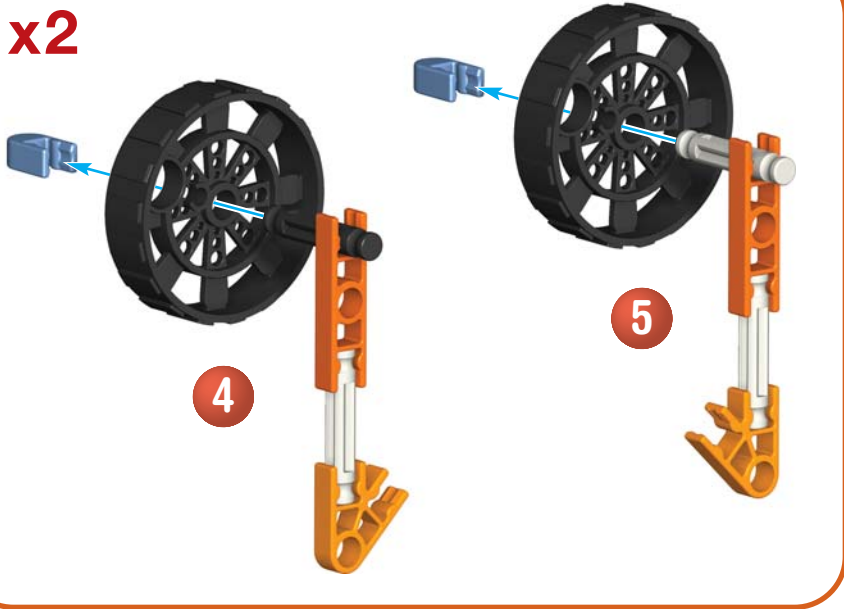
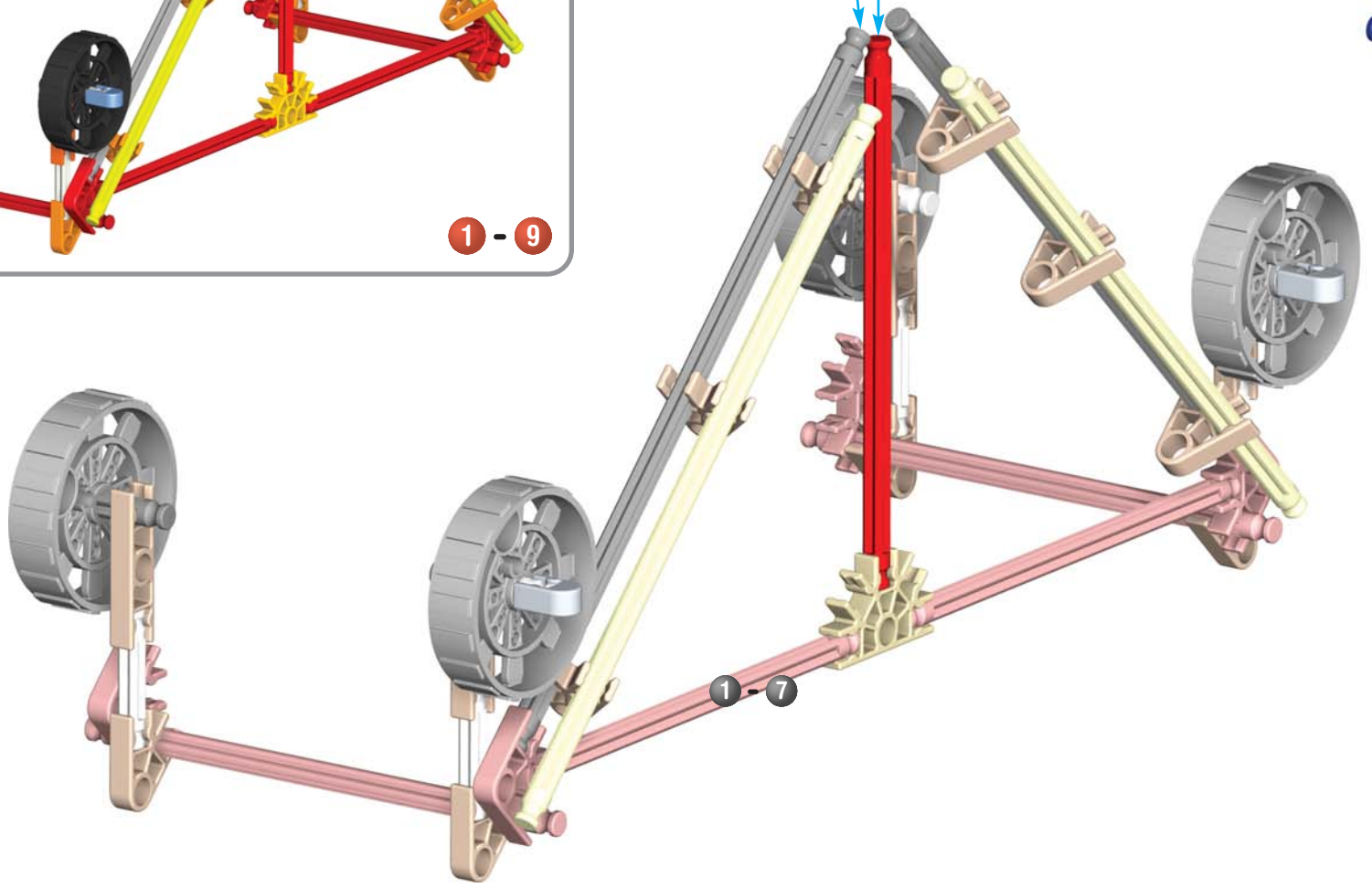
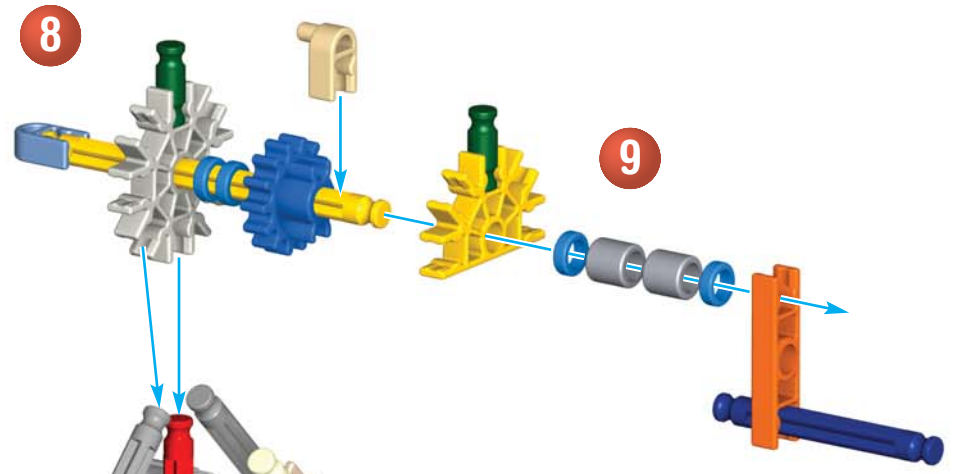
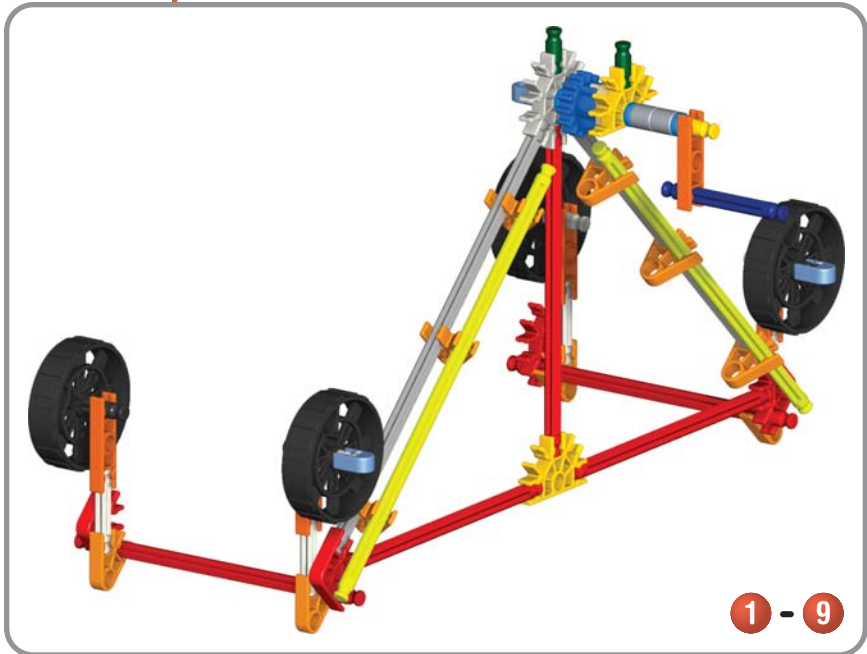
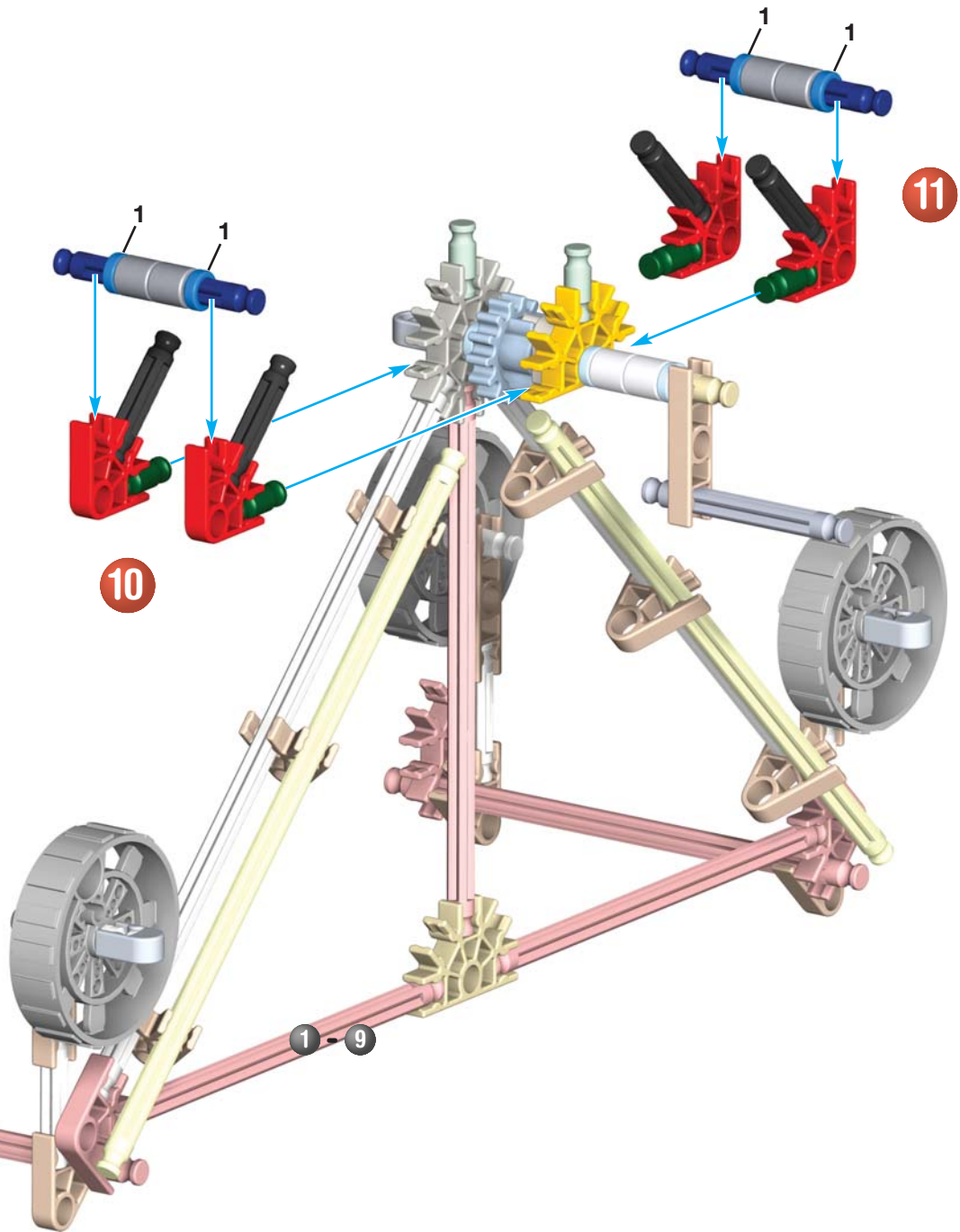
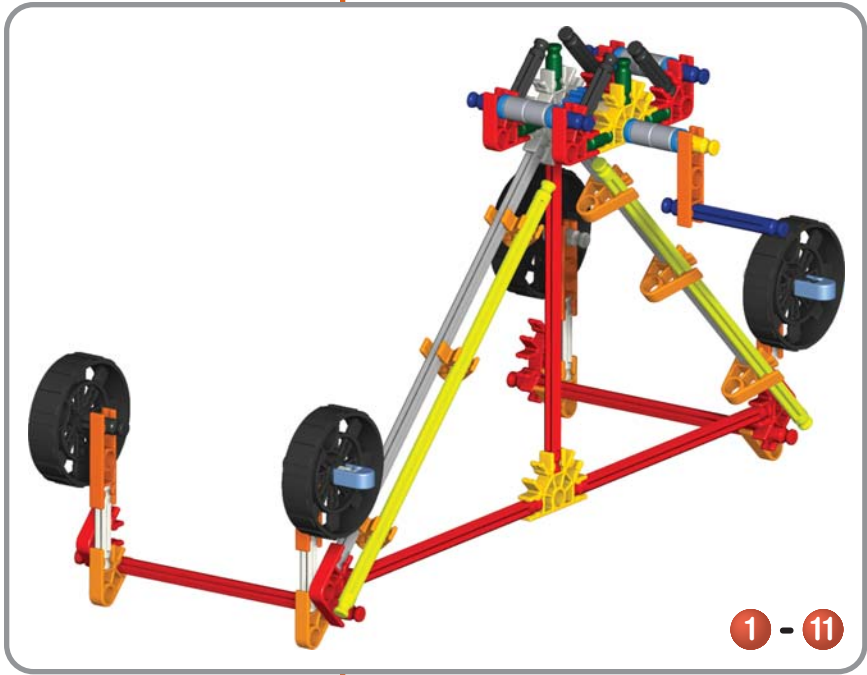


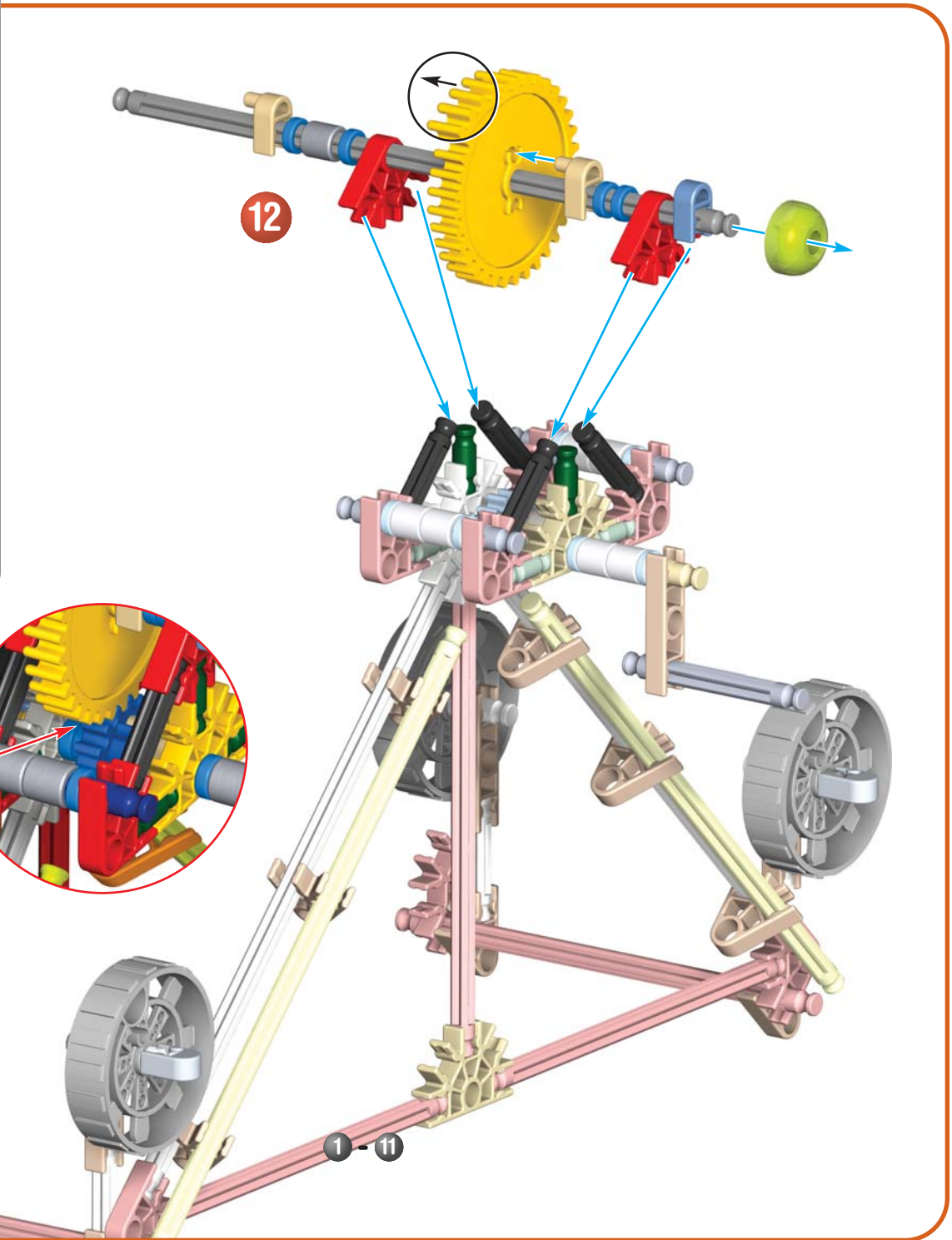
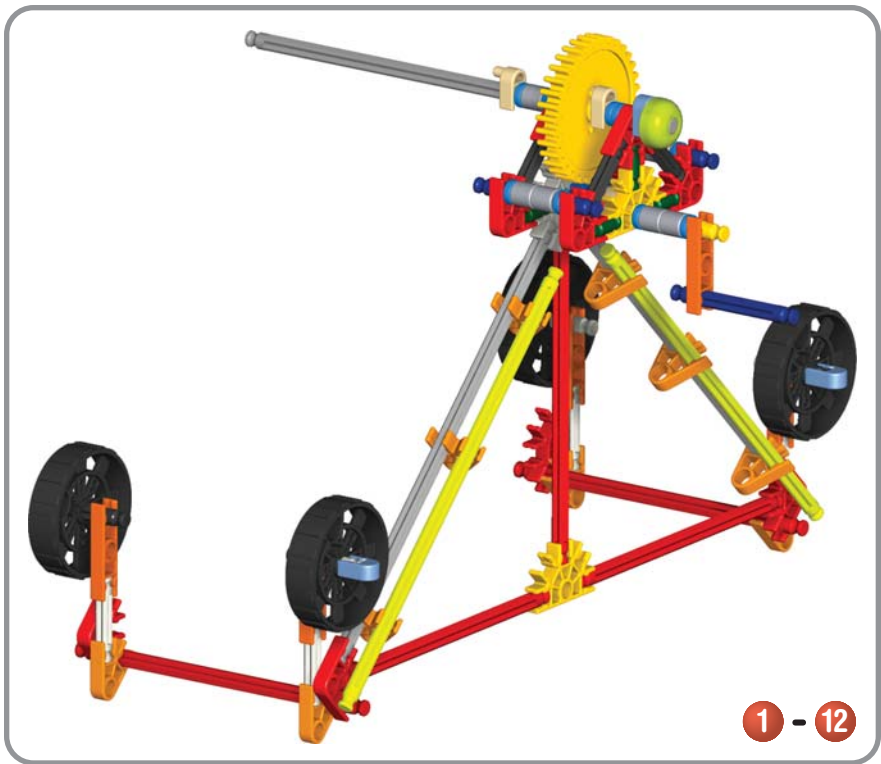


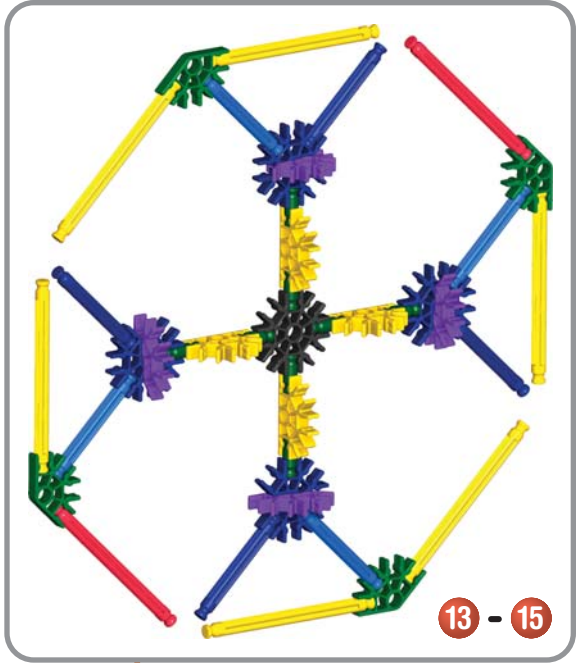
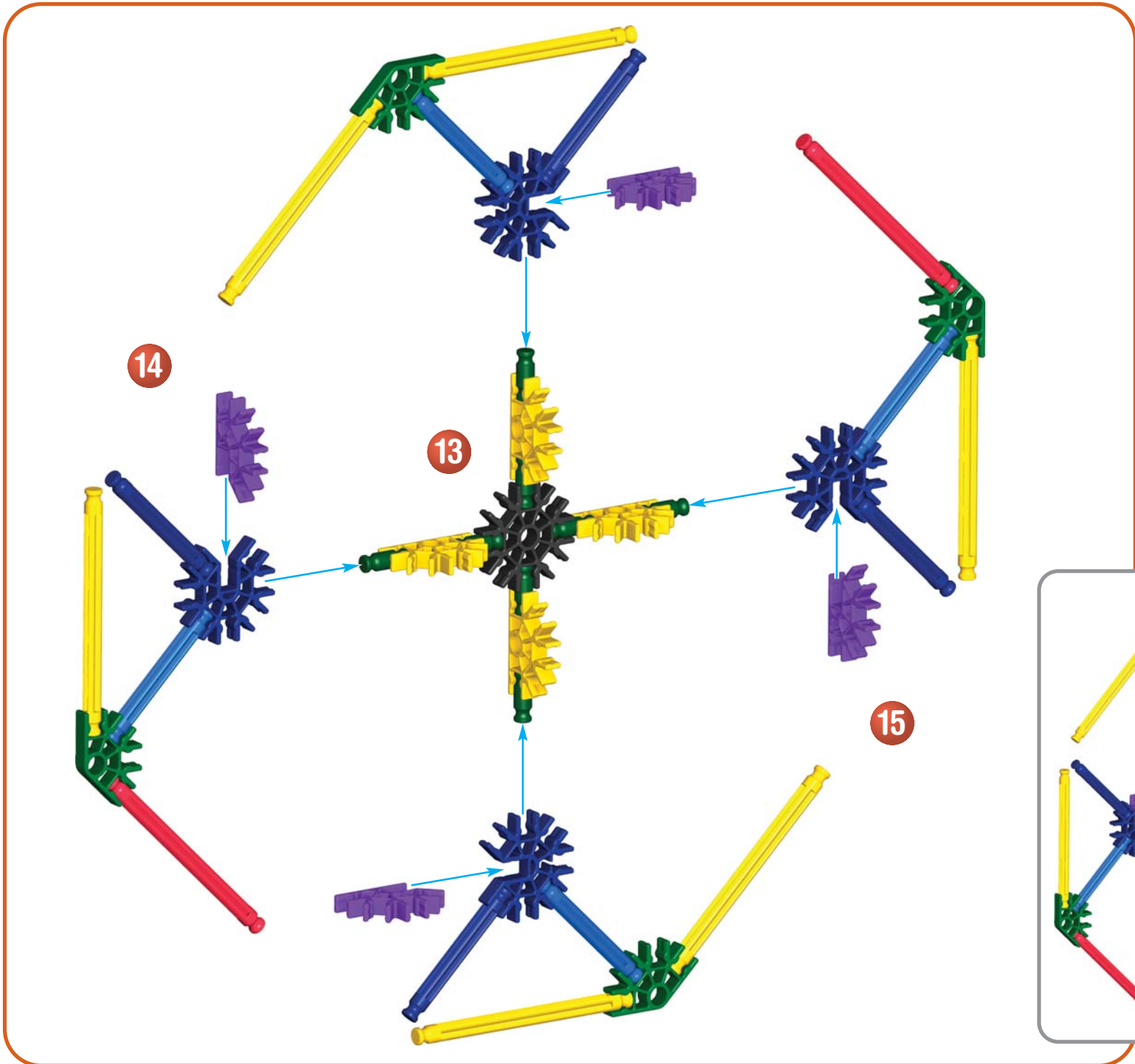
x2

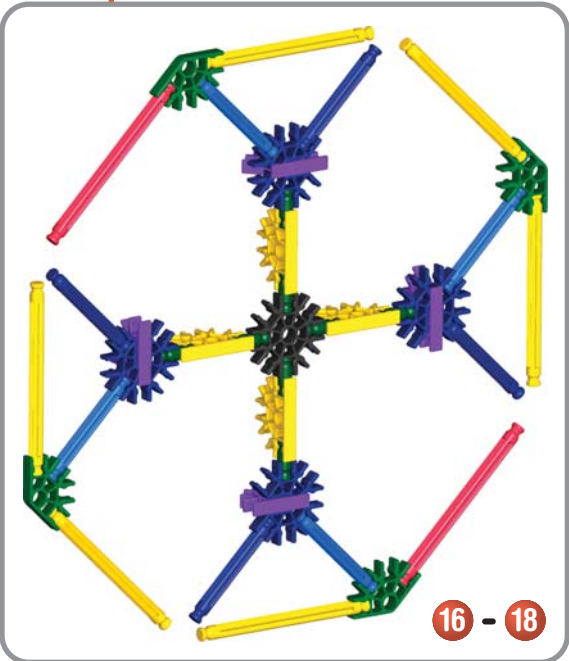
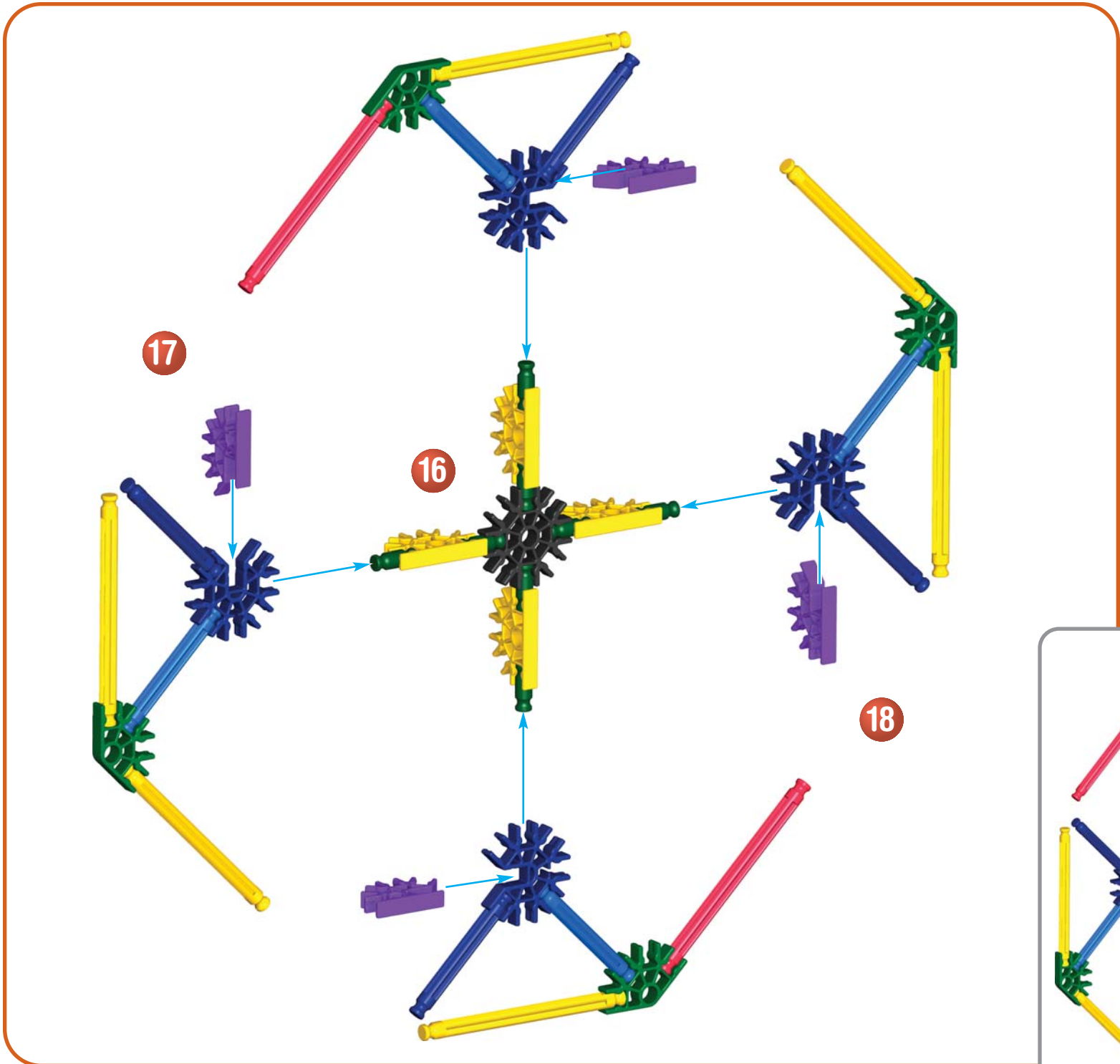


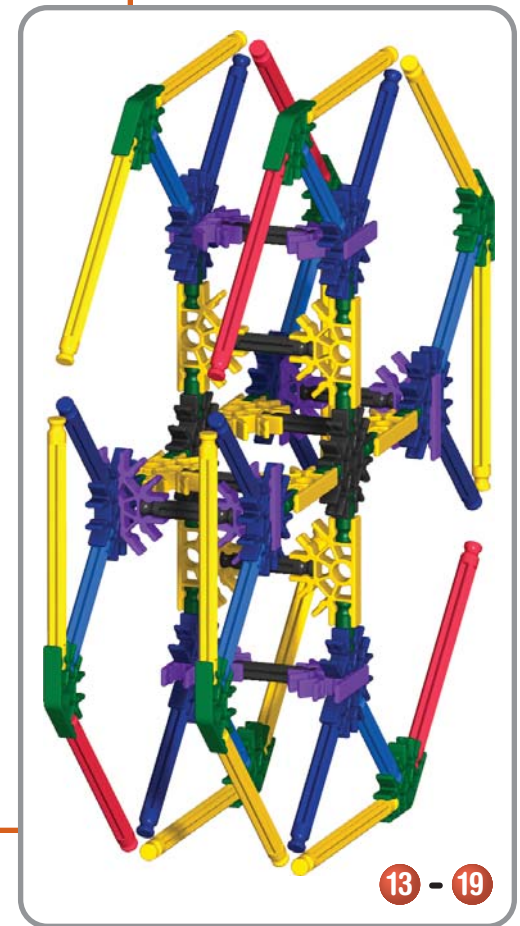
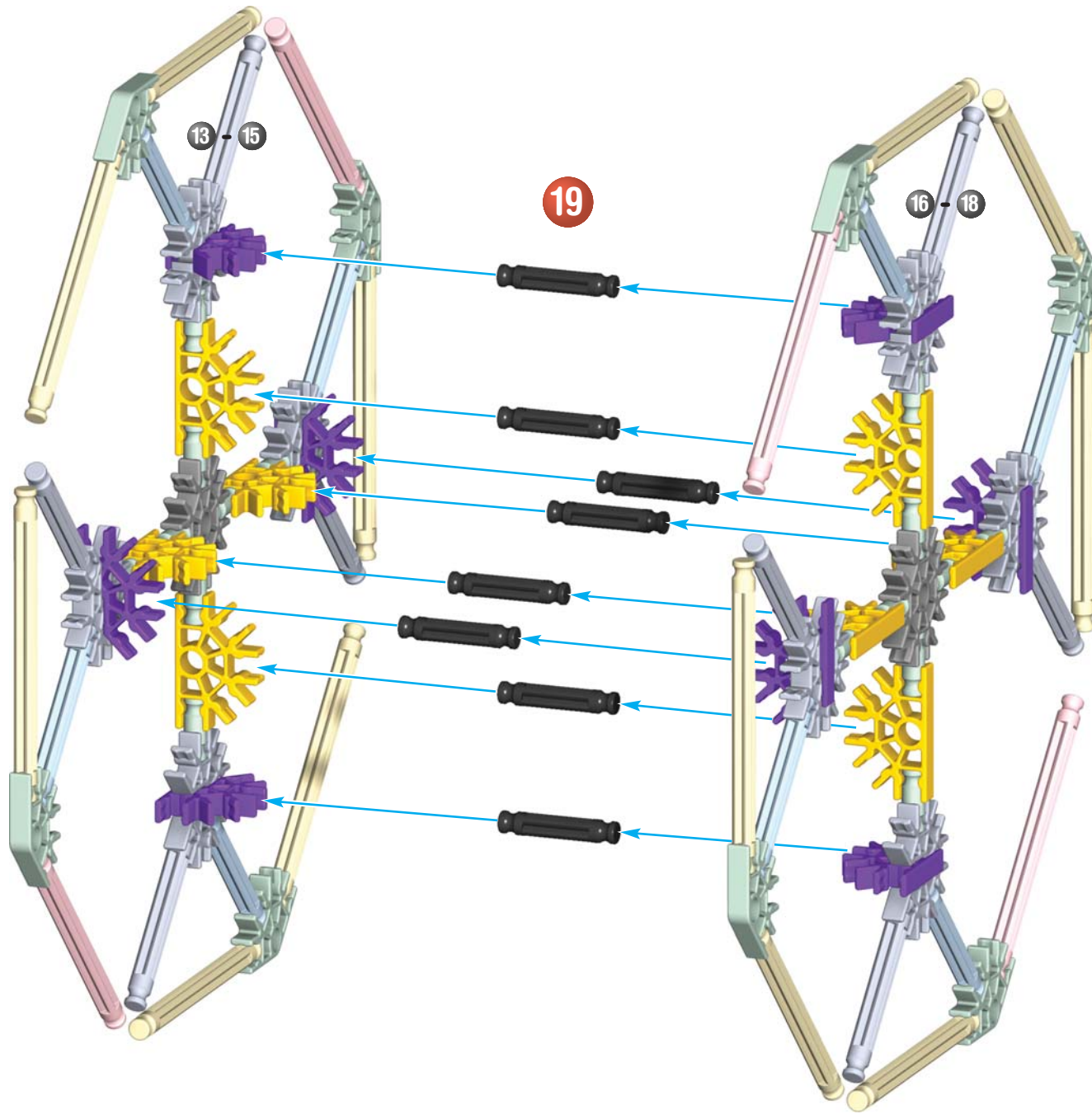


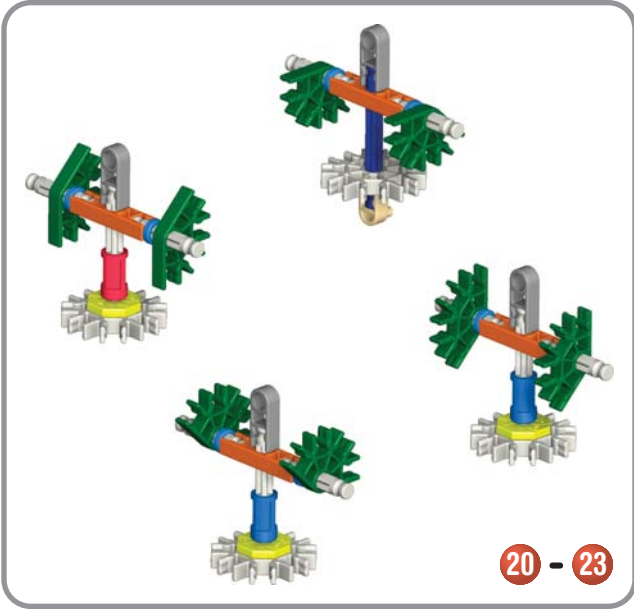
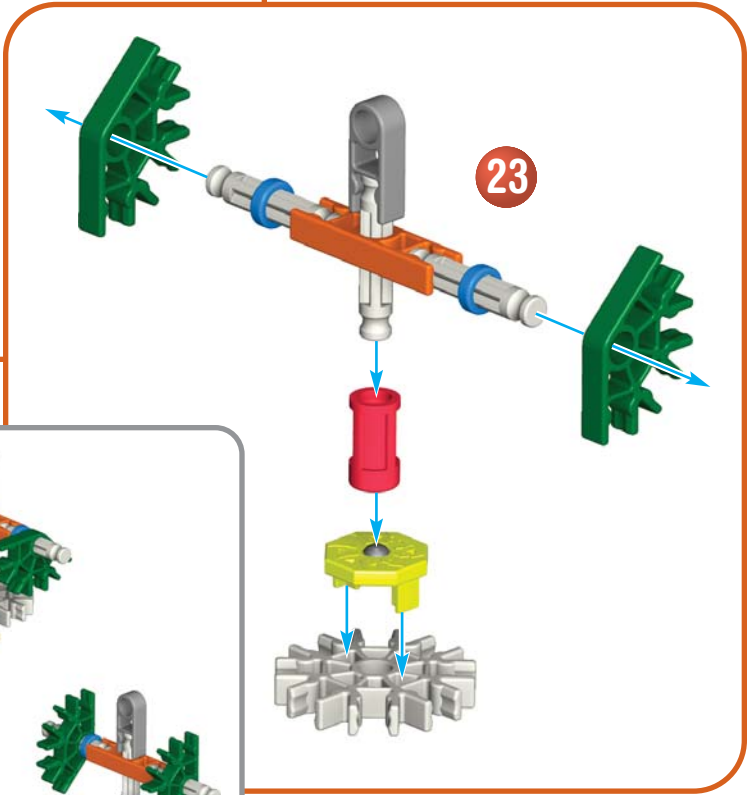
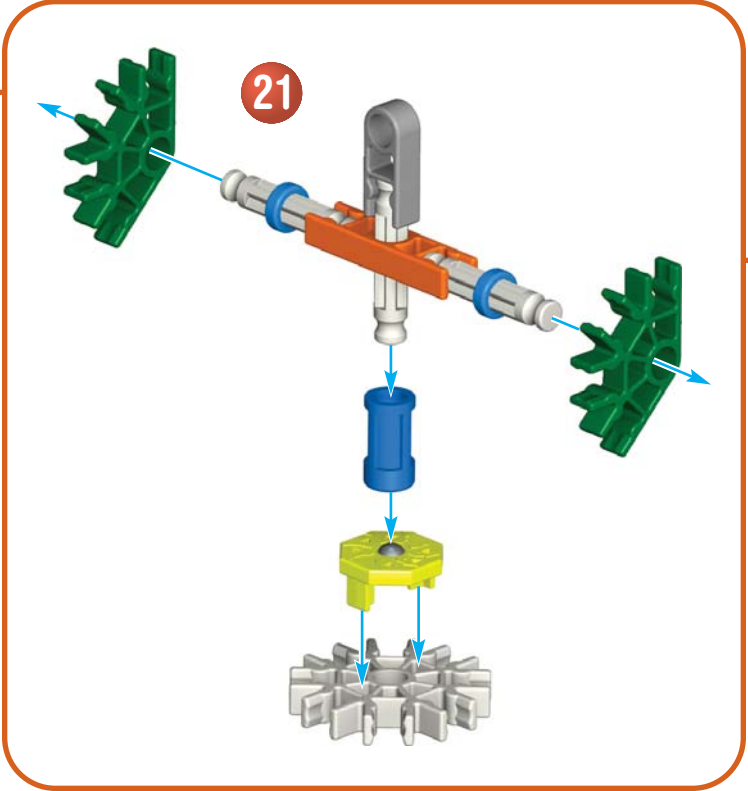
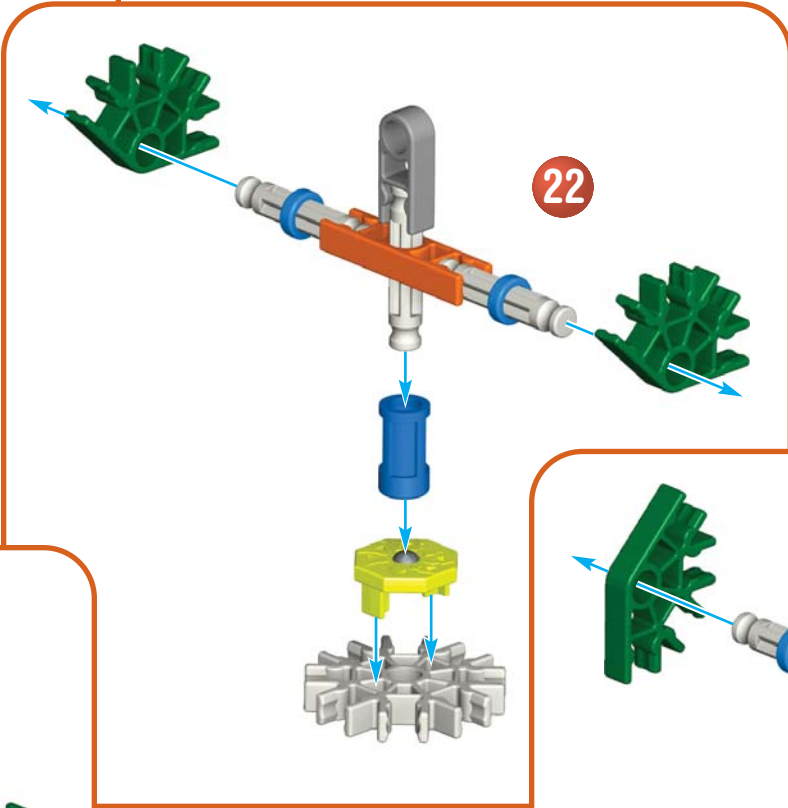
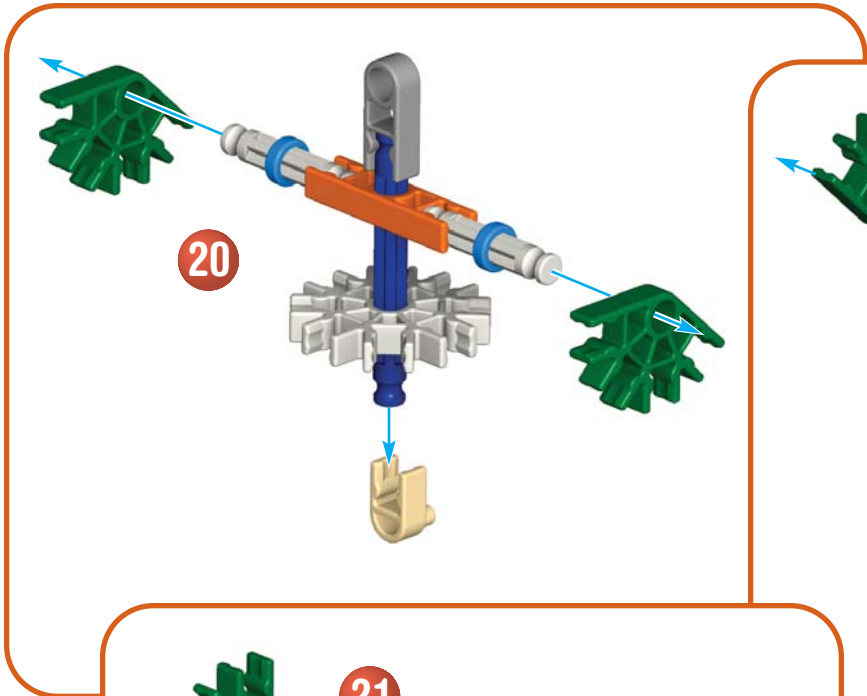


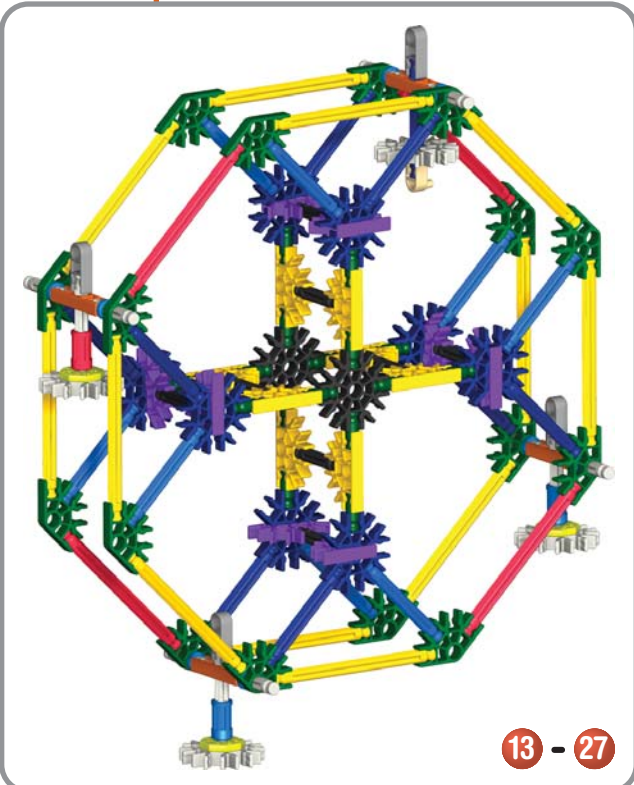
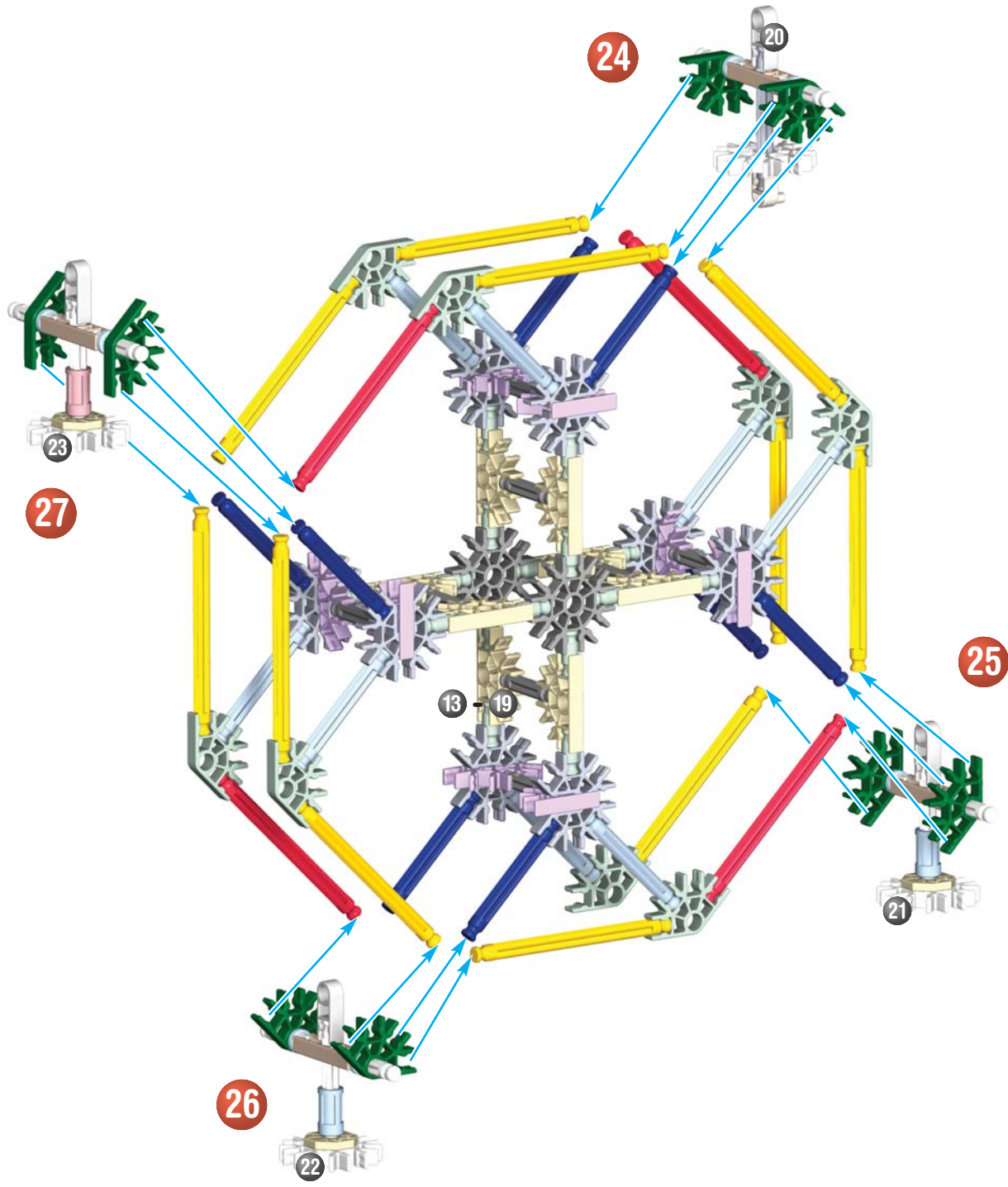


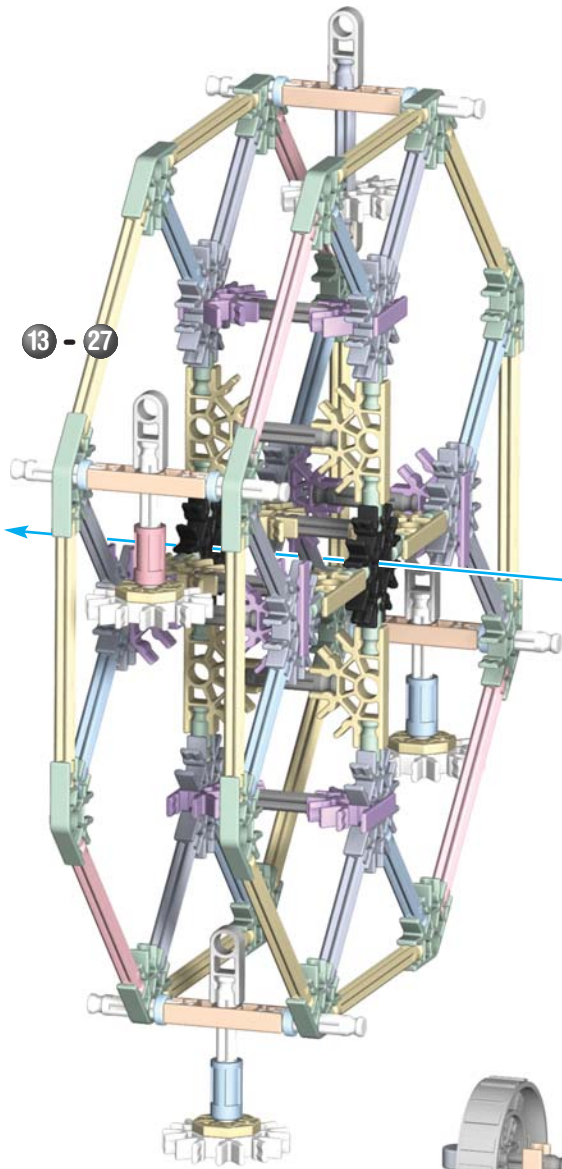




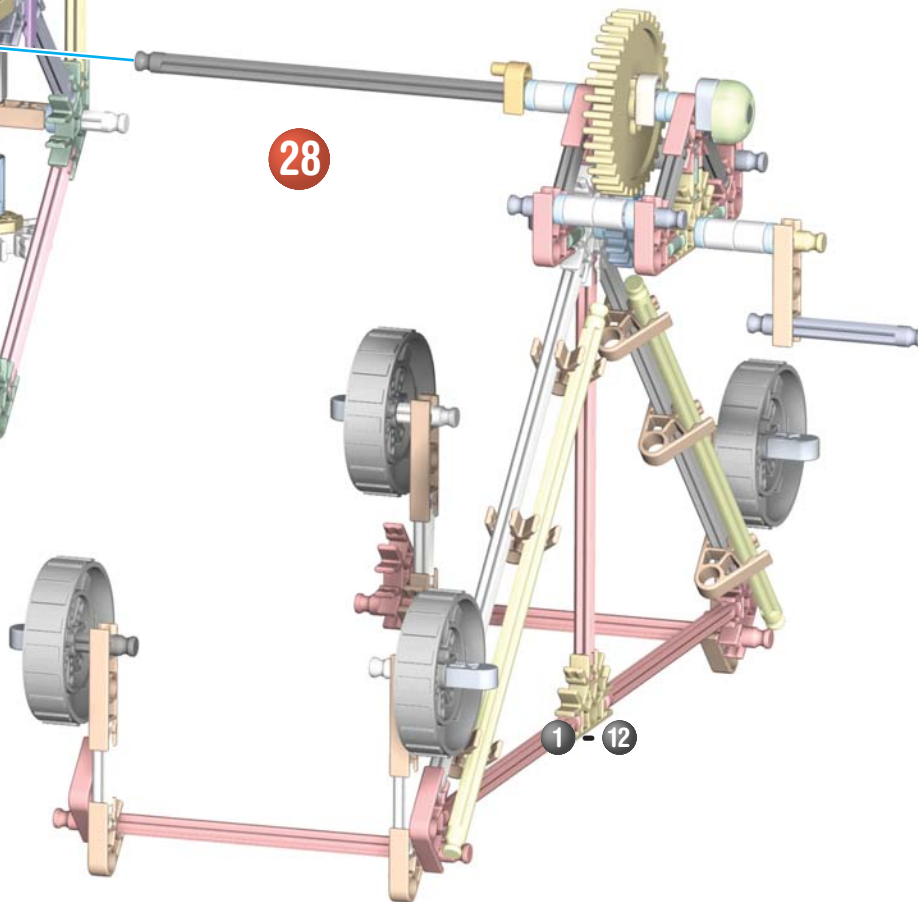




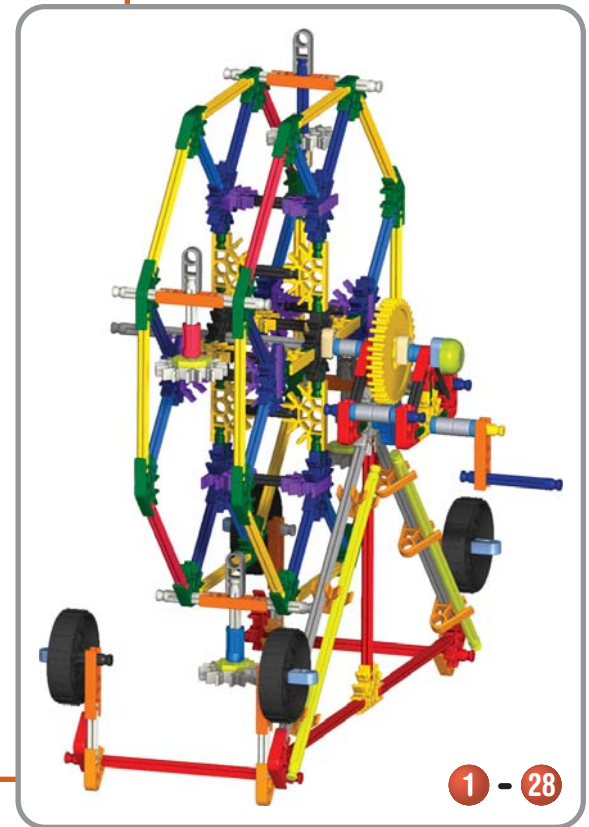




28



1 - 12



1 - 28

