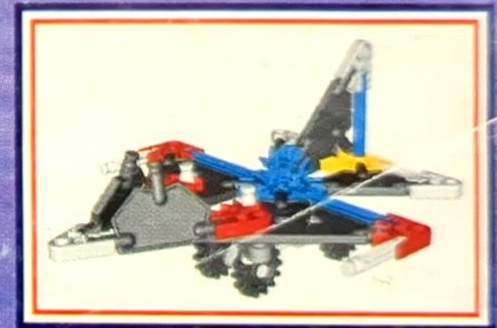
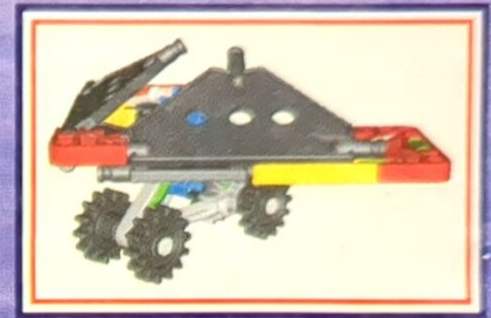
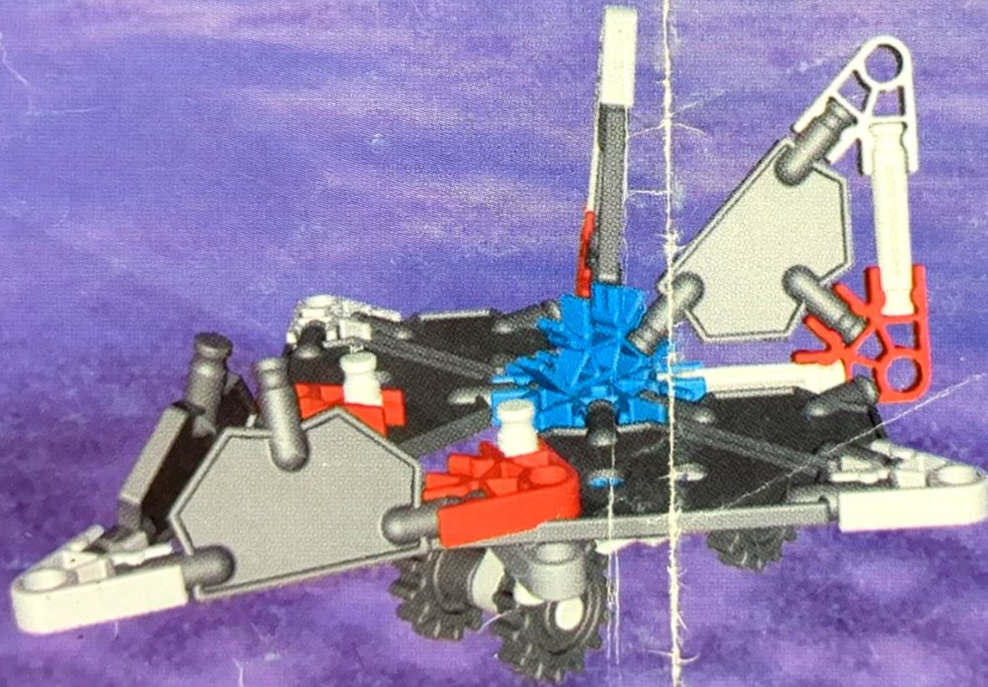


10401/20401

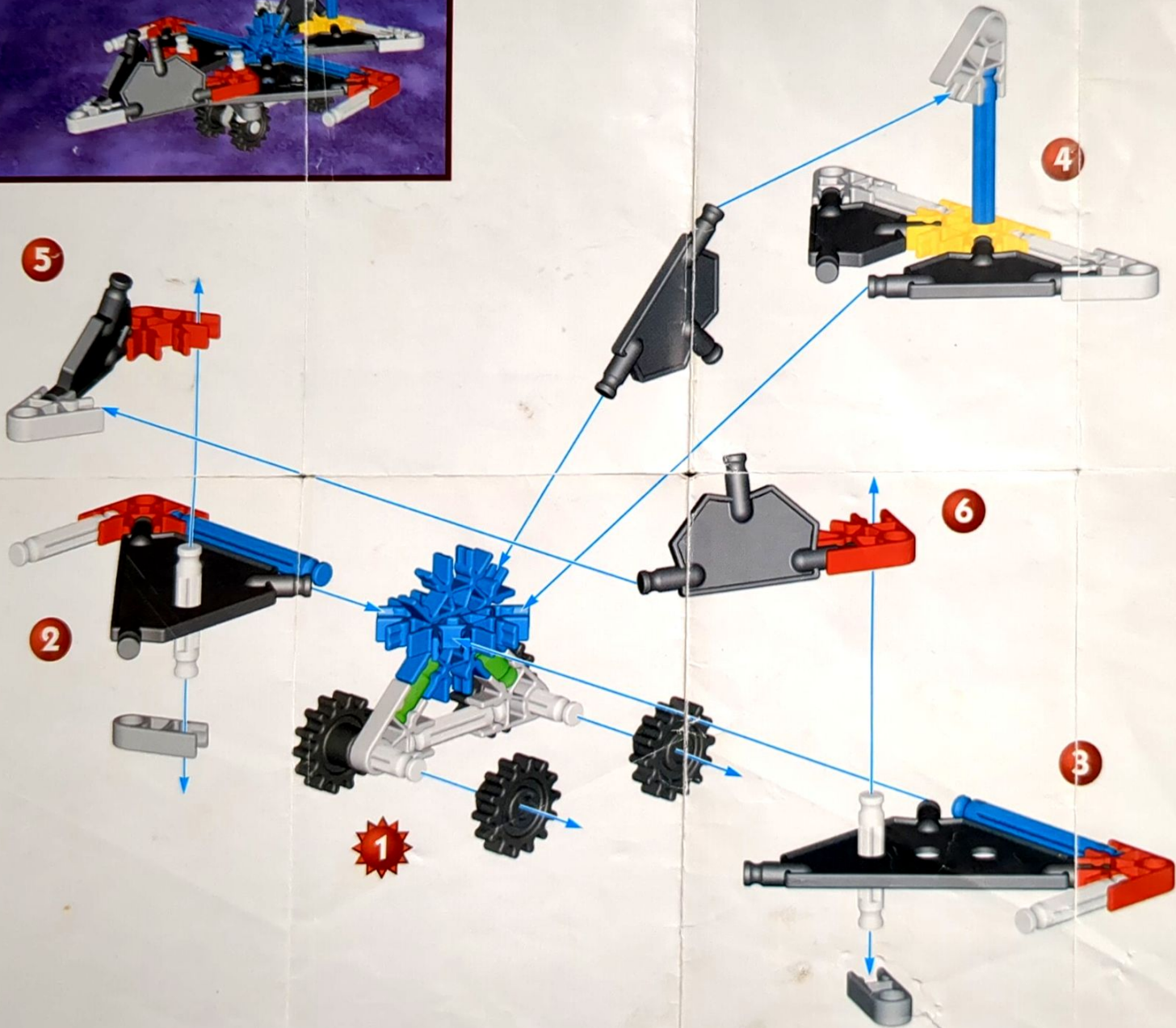
NIGHT RAIDERS



K'NEX

Creative Construction for Kids™

SKY RAIDER



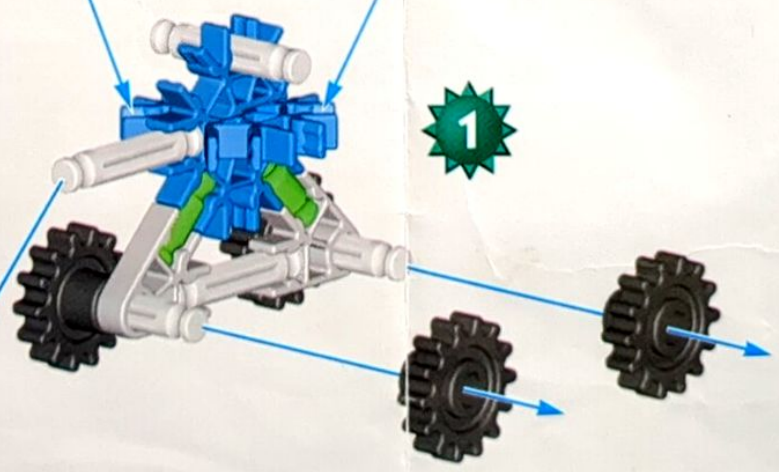
STEALTH RAIDER



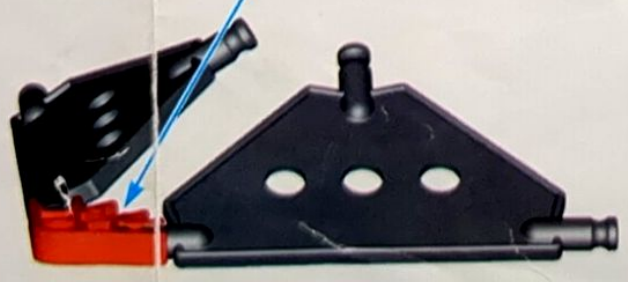
2

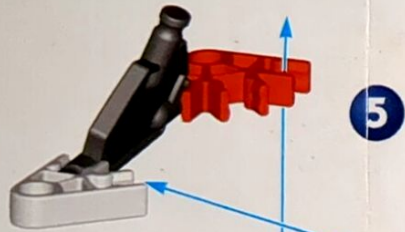
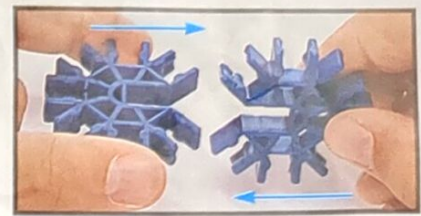
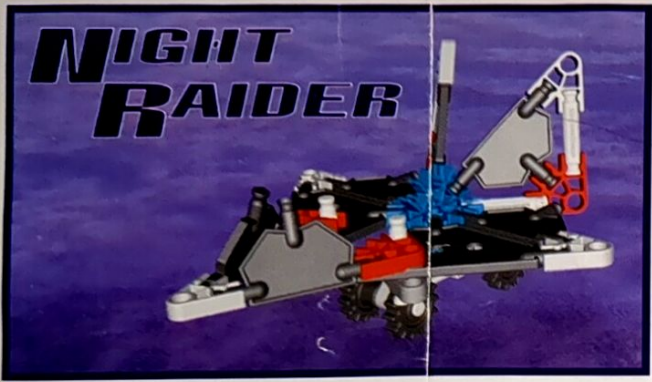


1

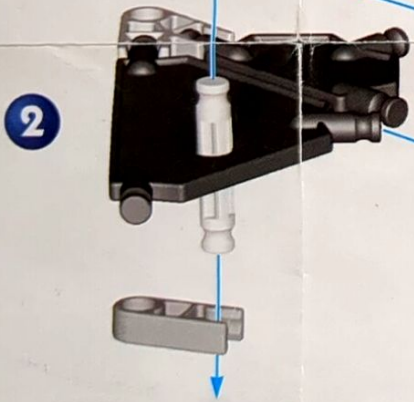


3

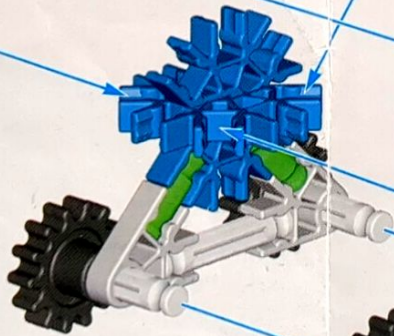




5



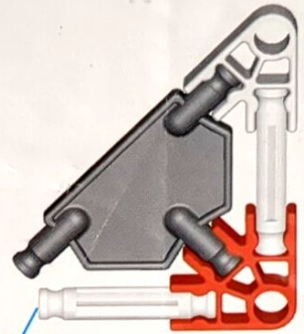
2



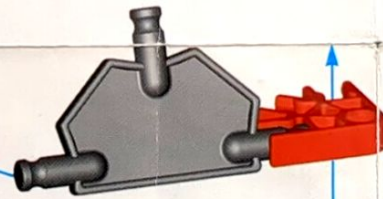
1



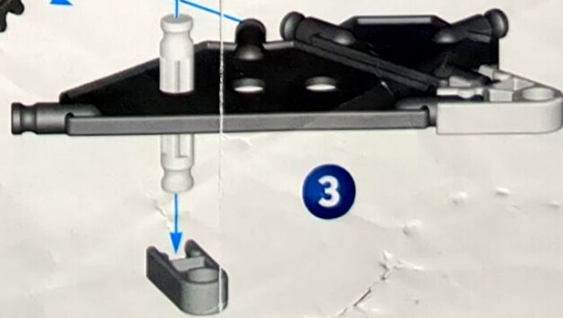
4



6



3



- USA** **(GB)** Contains small parts. Not suitable for children under the age of 3 years.
- F** Contient des pièces de petite taille. Ne convient pas aux enfants de moins de 3 ans.
- I** A causa dei suoi piccoli componenti, questo giocattolo non è adatto a bambini di età inferiore ai 3 anni.
- D** Enthält kleine Teile und ist daher nicht für Kinder unter 3 Jahren geeignet.
- E** Debido a la presencia de piezas pequeñas, no se recomienda su uso para menores de 3 años.
- S** Innehåller smådelar. Ej lämpligt för barn under 3 år.
- DK** Ikke egnet for børn under 3 år pga. smådele.
- N** Inneholder smådeler. Egner seg ikke for barn under 3 år.
- SF** Varoituis! Ei sovellu alle 3-vuotiaille lapsille. Sisältää pieniä osia.
- NL** Bevat kleine onderdelen. Niet geschikt voor kinderen jonger dan 3 jaar.
- P** Devido às dimensões reduzidas de algumas peças, não é recomendado para crianças de idade inferior a 3 anos.
- G** Λόγω των μικρών εξαρτημάτων που περιέχουν, δεν είναι κατάλληλα για παιδιά μικρότερα των 3 ετών.
- TR** Küçük parçalardan dolayı 3 yaşından küçük çocuklar için uygun değildir.
- J** 細かい部品がありますので、3才以下のお子様には適しません。
- CHI** 內含極小零件，不適合3歲以下孩童。
- K** 작은 부품들이 포함되어 있으므로 3세 미만 어린이에게는 적 합하지 않습니다.
- IL** מאחר והערכה מכילה חלקים קטנים, היא אינה מתאימה לילדים מתחת לגיל 3.

⚠ WARNING:
CHOKING HAZARD – Small Parts.
Not for Children under 3 years.



⚠ AVERTISSEMENT!
Danger d'étouffement. Pièces de petite taille.
Ne pas donner aux enfants de moins de 3 ans.

©1998 K'NEX Industries, Inc. • Hatfield, PA 19440-0700 • 1-800-KID-KNEX (USA & CANADA)



Visit K'NEX at www.knex.com

K'NEX is a registered trademark of K'NEX Industries, Inc. Manufactured under U.S. Patents 5,061,219, 5,137,486, 5,199,919, 5,238,438, 5,346,420, 5,350,331, 5,368,514, 5,421,762, 5,423,707, 5,427,559, 5,518,435, D383,509, D388,475, D389,203, D391,843, D391,921, D392,555, D393,496, 5,738,558, D391,417, D393,670, D394,286, and 5,755,608.

Other U.S. and foreign patents pending.

Conforms to the Requirements of ASTM Standard Consumer Safety Specification on Toy Safety F963-96a.

93101-V1-9/98

Printed in USA